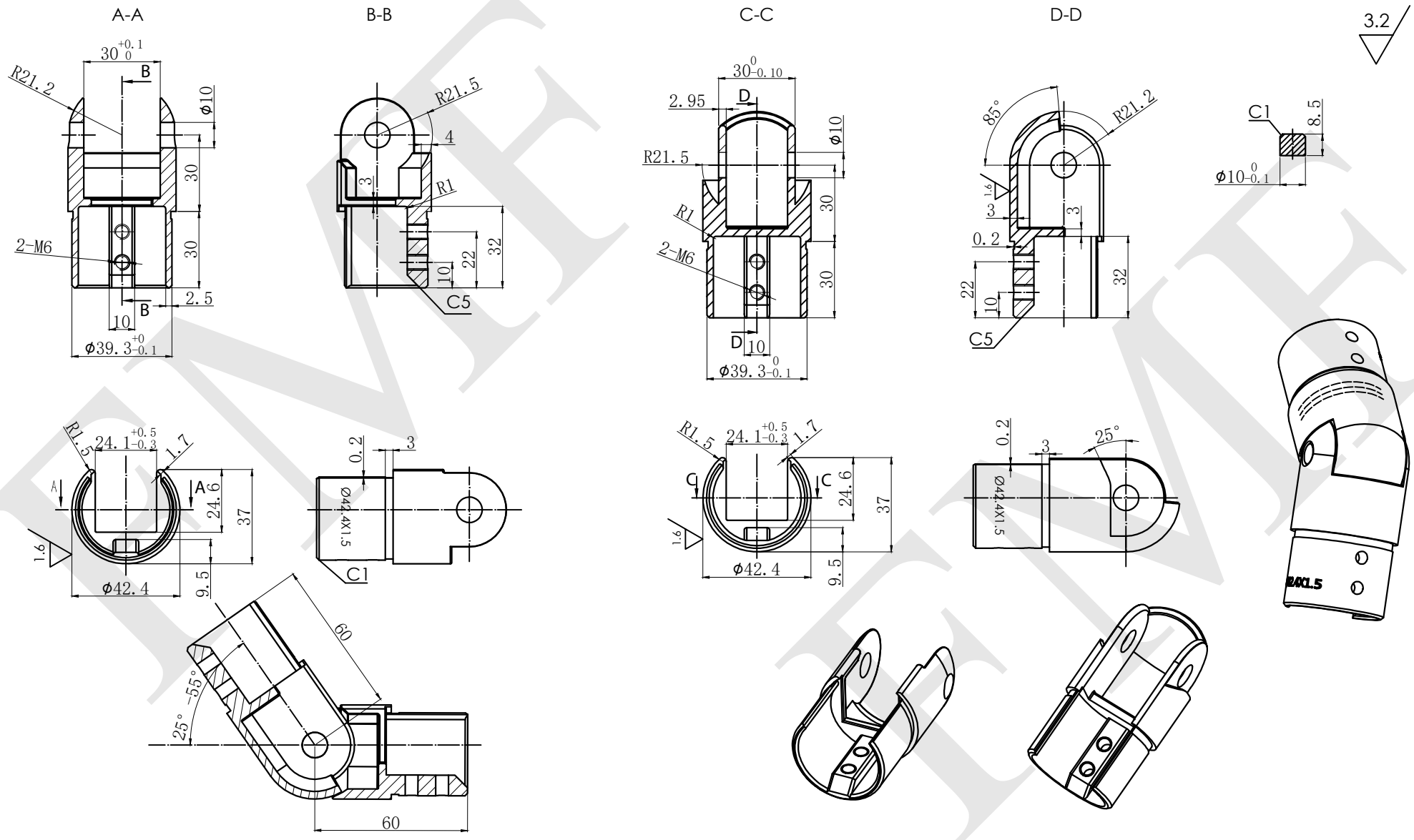


12 11 10 9 8 7 6 5 4 3 2 1



3.2

<b>NOTES:</b> - PROPRIETARY AND CONFIDENTIAL - THE INFORMATION CONTAINED IN THIS DRAWING IS THE SOLE PROPERTY OF FMF GLASS HARDWARE. ANY REPRODUCTION IN PART OR AS A WHOLE WITHOUT THE WRITTEN PERMISSION OF FMF GLASS HARDWARE IS PROHIBITED.	PRODUCT NAME: Adjustable Downward Elbow		PRODUCT MODEL NUMBER: 135ELB-C424D		
	DWG NO. 135ELB-C424D_1	UNIT: MM	DWG SIZE/SCALE A4/NTS	<b>FMF GLASS                  HARDWARE</b>	REV. 1
	DATE: 12.22	DRAWN BY: FMF	SHEET 1 OF 1		

12 11 10 9 8 7 6 5 4 3 2 1