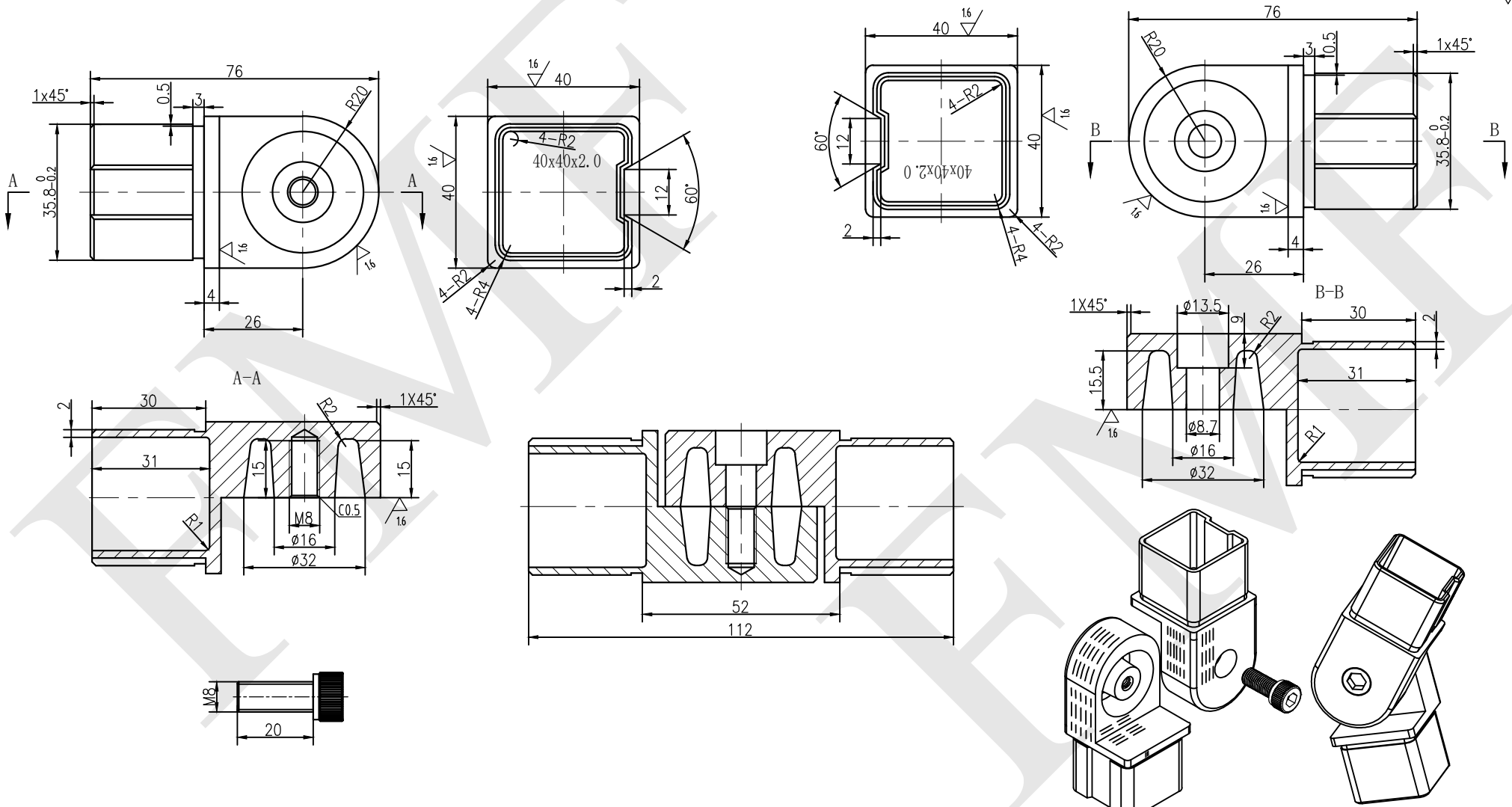


12 11 10 9 8 7 6 5 4 3 2 1

3.2/



| | | | | | |
|---|--|------------------|---|--|-----------|
| NOTES: - PROPRIETARY AND CONFIDENTIAL - THE INFORMATION CONTAINED IN THIS DRAWING IS THE SOLE PROPERTY OF FMF GLASS HARDWARE. ANY REPRODUCTION IN PART OR AS A WHOLE WITHOUT THE WRITTEN PERMISSION OF FMF GLASS HARDWARE IS PROHIBITED. | PRODUCT NAME: Adjustable Square Elbow for 40x40mm Square Handrail | | PRODUCT MODEL NUMBER: 135ELB-4040 | | |
| | DWG NO. 135ELB-4040_1 | UNIT: MM | DWG SIZE/SCALE A4/NTS | FMF GLASS HARDWARE | REV. 1 |
| | DATE: 11.22 | DRAWN BY: FMF | SHEET 1 OF 1 | | |

12 11 10 9 8 7 6 5 4 3 2 1