

12 11 10 9 8 7 6 5 4 3 2 1

H

H

G

G

F

F

E

E

D

D

C

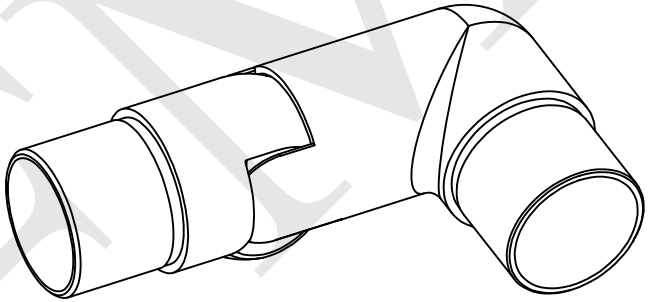
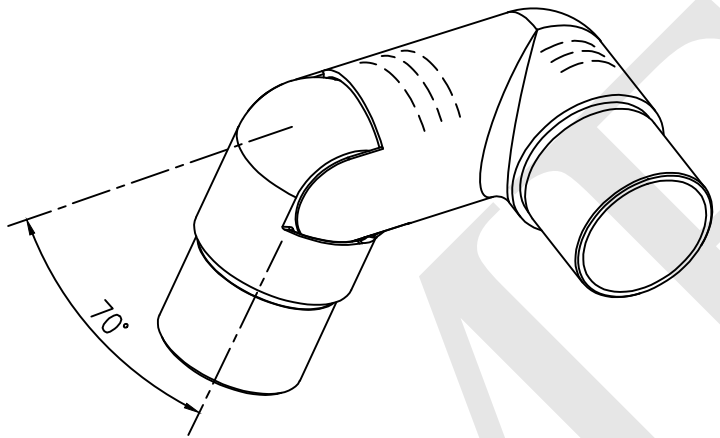
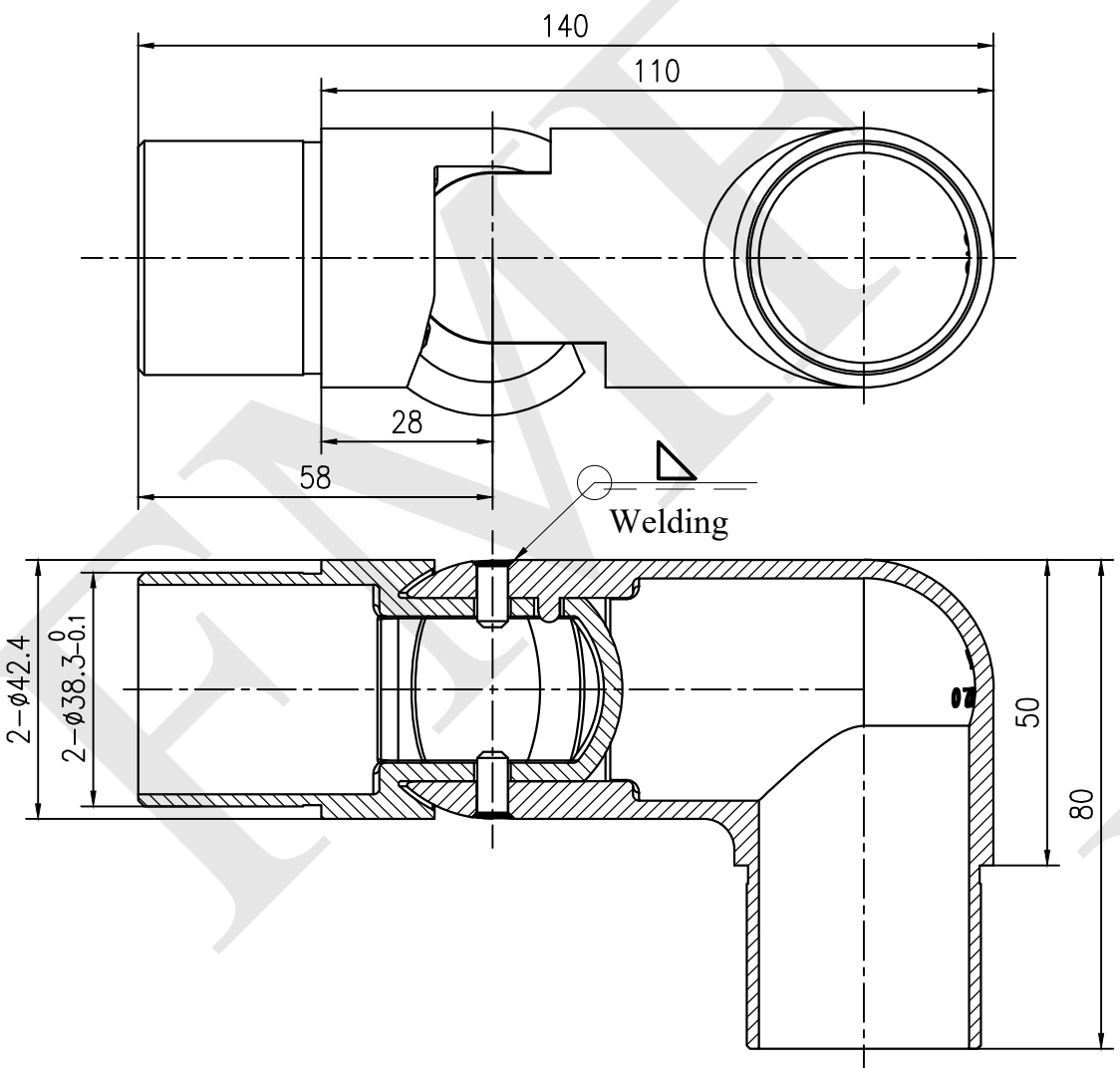
C

B

B

A

A



**NOTES:**  
 - PROPRIETARY AND CONFIDENTIAL  
 - THE INFORMATION CONTAINED IN THIS DRAWING IS THE SOLE PROPERTY OF FMF GLASS HARDWARE. ANY REPRODUCTION IN PART OR AS A WHOLE WITHOUT THE WRITTEN PERMISSION OF FMF GLASS HARDWARE IS PROHIBITED.

PRODUCT NAME:  
 90-70° Adjustable Handrail Elbow Connector Left Corner

DWG NO.  
 110ELB-L424\_1

DATE:  
 11.22

UNIT:  
 MM

DRAWN BY:  
 FMF

PRODUCT MODEL NUMBER:  
 110ELB-L424

DWG SIZE/SCALE  
 A4/NTS

REV. 1

**FMF GLASS HARDWARE**

SHEET 1 OF 1

12 11 10 9 8 7 6 5 4 3 2 1