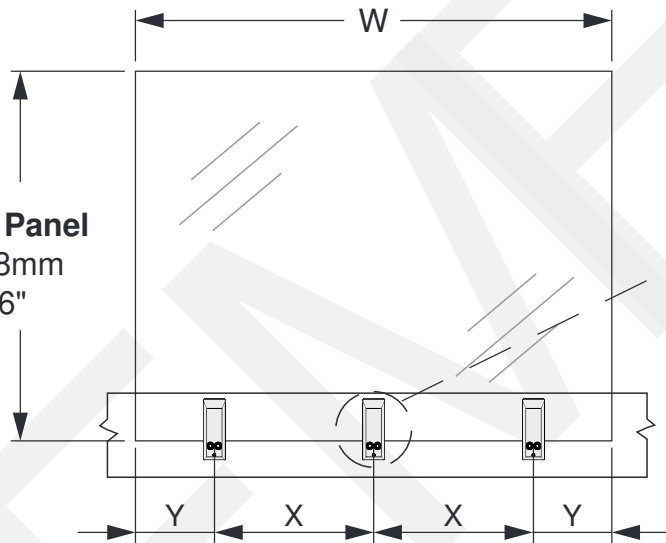


Glass Panel
1168mm
46"

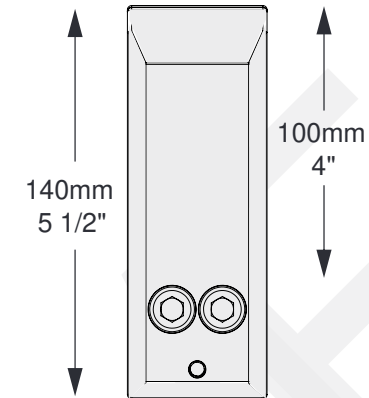


On Wood Surface

- Lag bolt 3/8"x5"
- Optional: 3/8" thru-bolt or threaded rod with washers and nuts

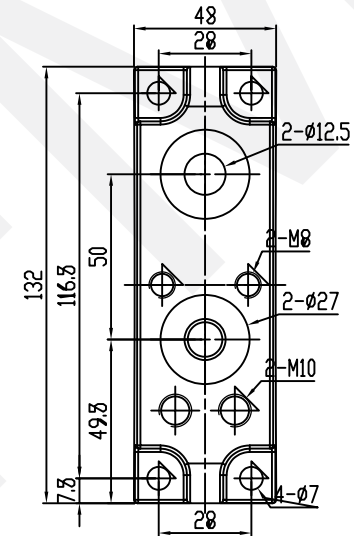
Fasteners Recommended on Concrete Surface:

- Wedge anchor 3/8"x4"



W(inches)	X(inches)	Y(inches)	No. of Spigots
72	18	8	4
60	22	8	3
48	32	8	2
36	22	7	2
26	14	6	2

Glass Panel Height (Max.): 46"
W (Glass Width): 26" Minimum
X=36" Maximum
Y=6" Minimum-9" Maximum



Wall Bracket

General Notes:

- The installed glass thickness must be 1/2" or 12mm and must be safety tempered
- Recommendation is for hardware components only. Mounting the post to the base structure is a site condition and the installers must ensure that the fasteners are strong enough to resist the design weight.
- The base material to which the posts are being mounted must resist the design weight.

NOTES:

PROPRIETARY AND CONFIDENTIAL
THE INFORMATION CONTAINED IN THIS DRAWING IS THE SOLE PROPERTY OF FMF GLASS HARDWARE. ANY REPRODUCTION IN PART OR AS A WHOLE WITHOUT THE WRITTEN PERMISSION OF FMF GLASS HARDWARE IS PROHIBITED.

PRODUCT NAME

Smart Spigot

PRODUCT MODEL NUMBER

DWG NO.

SPI-4SA_1

DATE:

05.09

UNIT:

MM

DRAWN BY:

FMF

DWG SIZE/SCALE:

A4/NTS

**FMF GLASS
HARDWARE**

REV.

1

SHEET 10F1

