

RAILING HARDWARE



FMF | GLASS HARDWARE

Made by
Professionals,
for **Professionals**

www.fmfglasshardware.com

Railing Hardware



Glass railing installations are gaining popularity among architects and contractors as they look elegant and visually appealing. They also give more visibility to the surrounding space, reflecting a minimalistic look. The versatility of glass railings matches perfectly with any finish and design. These are fit for 10-12mm tempered glass and come with upto 3-year limited warranty.

Choose from our wide range of carefully designed railing Hardware systems, handrail brackets, bolts and screws, spigots, standoffs and more! When it comes to railing hardware, FMF Glass Hardware is the trusted supplier. Owing to our high-quality material and professional input, we ensure the long life of our railing hardware.

Railing Posts



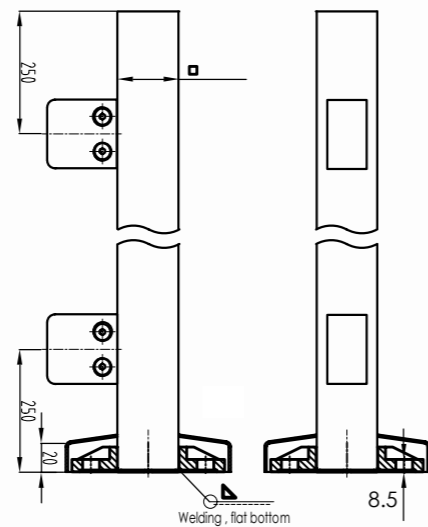
At FMF, we strive to help you with your residential and commercial projects with our premium quality products at competitive pricing. With our railing posts, we provide durability and strength to your commercial property, making it a smart investment for your business. These are fit for 10-12mm tempered glass and come with a 3-years limited warranty.

Our railing posts are available in varying styles. Constructed of stainless steel, they can be used in an interior or exterior setting and are corrosion-resistant. Together, let's transform your space into a modern design with our railing posts.

Square Glass Railing Post



Railing Clamps Included
 Used In Exterior Setting Or Interior Setting
 Applicable For: 10-12MM Tempered Glass
 Construction Material: 316 Grade Stainless Steel
 Cut Out Required: Optional (If Centre Pin Is Required)
 Accessories: Cap Cover For Post, Rubber Gaskets For Railing Clamps

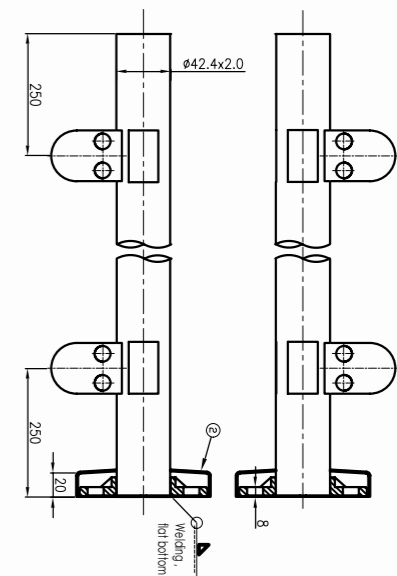


Size	End Posts Model No.	Inline Posts Model No.	Corner Posts Model No.	Finish
32"	SPOST-32E.SS	SPOST-32I.SS	SPOST-32C.SS	Brushed Stainless
32"	SPOST-32E.BL	SPOST-32I.BL	SPOST-32C.BL	Matte Black
36"	SPOST-36E.SS	SPOST-36I.SS	SPOST-36C.SS	Brushed Stainless
36"	SPOST-36E.BL	SPOST-36I.BL	SPOST-36C.BL	Matte Black
38"	SPOST-38E.SS	SPOST-38I.SS	SPOST-38C.SS	Brushed Stainless
38"	SPOST-38E.BL	SPOST-38I.BL	SPOST-38C.BL	Matte Black
42"	SPOST-42E.SS	SPOST-42I.SS	SPOST-42C.SS	Brushed Stainless
42"	SPOST-42E.BL	SPOST-42I.BL	SPOST-42C.BL	Matte Black
42"	SPOST-42R; SPOST-42R.BL	No Pre-Drill Holes/No Clamps		Brushed Stainless Matte Black

Round Glass Railing Post



Railing Clamps Included
 Used In Exterior Setting Or Interior Setting
 Applicable For: 10-12MM Tempered Glass
 Construction Material: 316 Grade Stainless Steel
 Cut Out Required: Optional (If Centre Pin Is Required)
 Accessories: Cap Cover For Post, Rubber Gaskets For Railing Clamps



Size	End Posts Model No.	Inline Posts Model No.	Corner Posts Model No.	Finish
32"	RPOST-32E.SS	RPOST-32I.SS	RPOST-32C.SS	Brushed Stainless
32"	RPOST-32E.BL	RPOST-32I.BL	RPOST-32C.BL	Matte Black
36"	RPOST-36E.SS	RPOST-36I.SS	RPOST-36C.SS	Brushed Stainless
36"	RPOST-36E.BL	RPOST-36I.BL	RPOST-36C.BL	Matte Black
38"	RPOST-38E.SS	RPOST-38I.SS	RPOST-38C.SS	Brushed Stainless
38"	RPOST-38E.BL	RPOST-38I.BL	RPOST-38C.BL	Matte Black
42"	RPOST-42E.SS	RPOST-42I.SS	RPOST-42C.SS	Brushed Stainless
42"	RPOST-42E.BL	RPOST-42I.BL	RPOST-42C.BL	Matte Black

Glass Railing Standoffs

Glass installations in residential and commercial spaces are gaining popularity due to their aesthetic appeal. Suitable for securing your glass panels at home, restaurant, office or showroom, our standoffs give a cleaner look. These standoffs are useful to connect glass panels to the wall, functioning as fasteners to position parts. These are fit for 10-12mm tempered glass and come with a 3-years limited warranty.

Manufactured of Stainless Steel, FMF standoffs are used for a majority of applications. Give a terrific visual appeal to your glass enclosures at your commercial or residential projects with our standoffs. Our standoffs help increase the visibility and attractiveness of your glass enclosure by adding a wow factor.





38mm Diameter Solid Standoffs

Cap & Body Included
 Suitable For Interior & Exterior Use
 Engineered To Comply With The National Building Code Of Canada
 Anchor Bolt Sold Separately

Construction Material:
 316 Grade Stainless Steel for Brushed Stainless Finish Models
 304 Grade Stainless Steel for Matte Black Finish Model
 Fabrication: 19MM Ø Holes Required
 Thread: Imperial Threads
 Compatible With: FMF Anchor Bolts
 Function: To Secure Glass Railing Panels Into Place

Model No.	Finish	Length (L)
38ST-S01.SS	Brushed Stainless	0.5"
38ST-S01.BL	Matte Black	0.5"
38ST-S02.SS	Brushed Stainless	1"
38ST-S02.BL	Matte Black	1"
38ST-S03.SS	Brushed Stainless	1.25"
38ST-S03.BL	Matte Black	1.25"
38ST-S04.SS	Brushed Stainless	1.5"
38ST-S04.BL	Matte Black	1.5"
38ST-S05.SS	Brushed Stainless	2"
38ST-S05.BL	Matte Black	2"

Solid Standoffs at FMF are appropriate for safeguarding your glass railings in residential and commercial spaces. Our standoffs efficiently connect the glass panels to the wall, functioning as fasteners to position parts. As they are constructed of 316-Grade Stainless Steel, they are strong in both design and appearance.

Our standoffs are compliant with Canadian Building Code Standards as we believe in providing the best to our customers. We carry 38mm standoffs in two finishes, Stainless Steel and Matte Black and sizes from 1/2" to 2". We provide standoffs for 38mm and 50mm diameters too.



50mm Diameter Solid Standoffs

Cap & Body Included
 Suitable For Interior & Exterior Use
 Engineered To Comply With The National Building Code Of Canada
 Anchor Bolt Sold Separately

Construction Material:
 316 Grade Stainless Steel for Brushed Stainless Finish Models
 304 Grade Stainless Steel for Matte Black Finish Model
 Fabrication: 19MM Ø Holes Required
 Thread: Imperial Threads
 Compatible With: FMF Anchor Bolts
 Function: To Secure Glass Railing Panels Into Place

As they are corrosion resistant and sturdy, they are suitable for indoor and outdoor use. Our premium quality standoffs offer great dependability for protecting glass installations. The standoffs provide a clean and professional look with our standard finishes.

Model No.	Finish	Length (L)	Model No.	Finish	Length (L)
50ST-S01.SS	Brushed Stainless	0.25"	50ST-S06.SS	Brushed Stainless	1.75"
50ST-S01.BL	Matte Black	0.25"	50ST-S06.BL	Matte Black	1.75"
50ST-S02.SS	Brushed Stainless	0.5"	50ST-S07.SS	Brushed Stainless	2.0"
50ST-S02.BL	Matte Black	0.5"	50ST-S07.BL	Matte Black	2.0"
50ST-S03.SS	Brushed Stainless	1"	50ST-S07.SB	Satin Brass	2.0"
50ST-S03.BL	Matte Black	1"	50ST-S08.SS	Brushed Stainless	2.5"
50ST-S04.SS	Brushed Stainless	1.25"	50ST-S08.BL	Matte Black	2.5"
50ST-S04.BL	Matte Black	1.25"	50ST-S09.SS	Brushed Stainless	3"
50ST-S05.SS	Brushed Stainless	1.5"	50ST-S09.BL	Matte Black	3"
50ST-S05.BL	Matte Black	1.5"	50ST-S10.SS	Brushed Stainless	3.5"
50ST-S05.SB	Satin Brass	1.5"	50ST-S10.BL	Matte Black	3.5"

Cap Handrail & Fittings



Standoff Installation Tool

Standoff Installation Tool
Size Adjustable

Applicable For: 35-50mm Standoff Diameter
Function: Used To Tighten Standoff Caps

Model No.

TOOL-ST.01

With adjustable size, these tools make the process of installation of standoffs much easier and more convenient. They are used for tightening the standoff caps, allowing the standoffs to support the glass installations for a long time.

Standoff Spare Gaskets

New Product



Applicable For: FMF 38ST/ 50ST Standoffs
Construction Material: Rubber
Thickness: 2mm
10 Pieces per package
Black Gasket Goes In Between Body and Cap

Model No.

Size

38ST-GAS.BL	38mm
50ST-GAS.BL	50mm

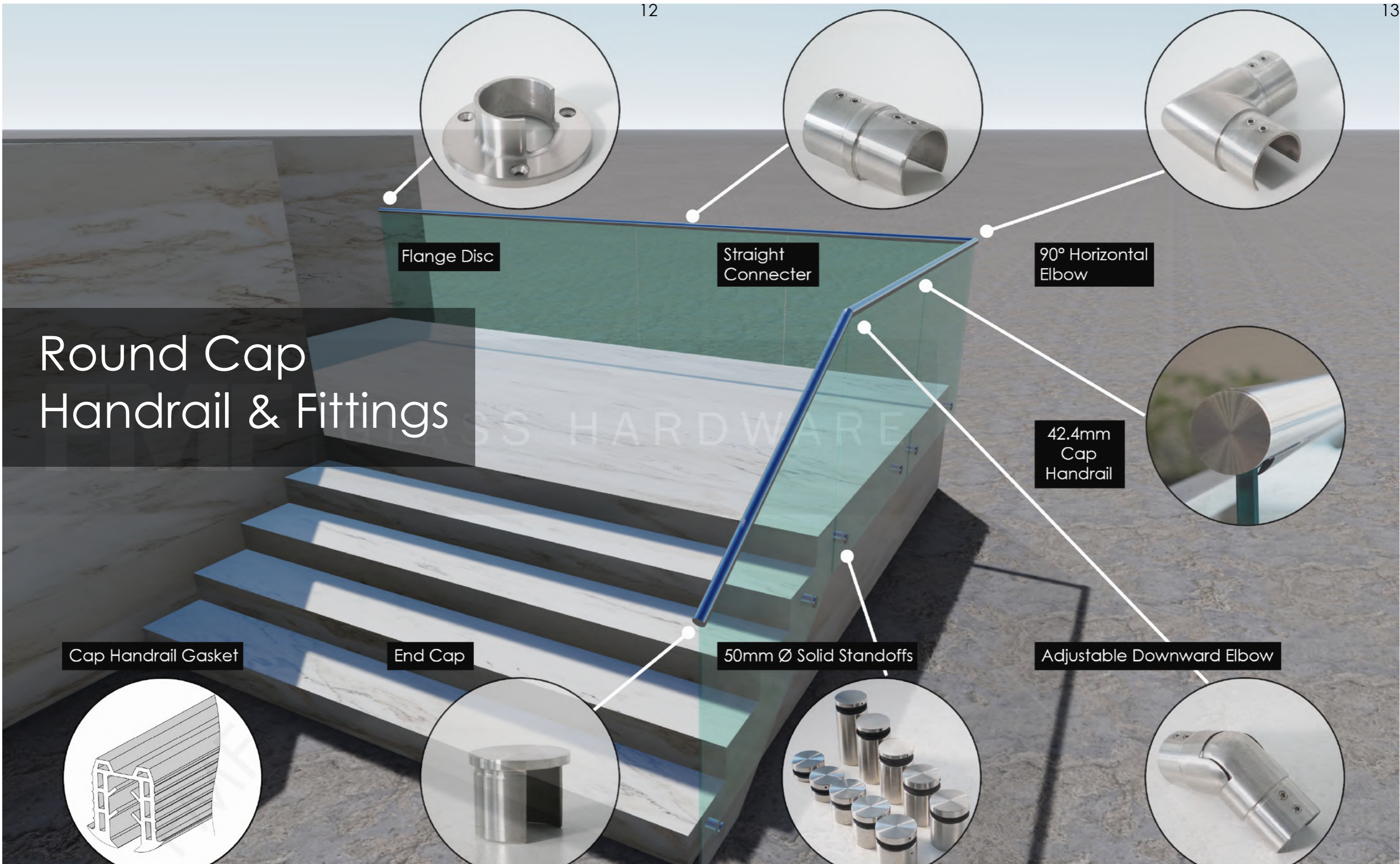
Standoff spare gaskets are essential components for various applications where a standoff is used. These gaskets provide a reliable seal and act as a cushion between the standoff and the surface it is mounted on. They are designed to withstand pressure, temperature variations, and environmental factors.

At FMF, our selection of cap handrails and fittings is manufactured with elegance to match your styling needs. Choose from several finishes and designs for an exact match to your expectations. Every cap handrail is examined to exceed your safety requirements. You can install our cap handrails on a glass stair or interior of your home or commercial space quickly and easily. They also eliminate the need for any brackets as support; they just sit perfectly on the glass. These are fit for 10-12mm tempered glass and come with a 3-years limited warranty.

Handrails are essential for any architectural project, providing décor, safety, and support. Our cap handrails can complement just about any style. Manufactured in stainless steel, our cap handrails are long-lasting, requiring less maintenance, and safe compared to other cap handrails available in the market. When you are renovating a commercial or residential space, upgrade its appeal with FMF cap handrails and fittings.



Round Cap Handrail & Fittings



Flange Disc

Straight Connector

90° Horizontal Elbow

42.4mm Cap Handrail

Adjustable Downward Elbow

50mm Ø Solid Standoffs

End Cap

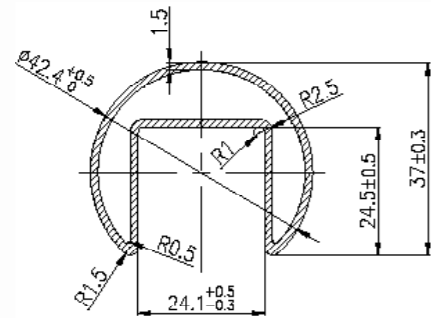
Cap Handrail Gasket



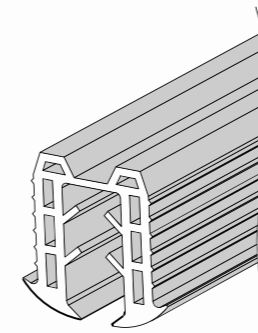
Round Cap-Handrail

Can Be Used In Exterior Setting Or Interior Setting
 Construction Material: 316 Grade Stainless Steel
 Size: 16.4' Feet Length Available
 Cut To Size Available
 Diameter: 42.4mm

Model No.	Finish
RAILC424-16.SS	Brushed Stainless
RAILC424-16.BL	Matte Black



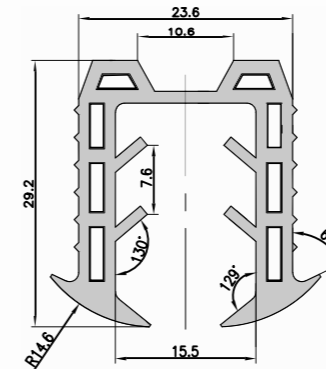
Our 42.4mm Cap-Handrails in round shape are perfect to install in interior and exterior spaces to reflect a stylish appearance. They provide easy grip while leaning, or climbing up and down the stairs. If you are looking for minimalistic, yet impressive designs for your railing systems, our round cap handrails are your solution!



Cap-Rail Gasket

Applicable for: 10-12mm Glass
 Construction Material: Black Rubber
 Compatible With: All FMF Cap Handrail Products
 Length: 19 feet

Model No.	Size
GAS-4040.10	10mm
GAS-4040.12	12mm



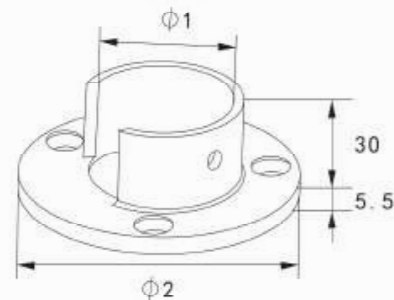
Our gaskets are easy to install and are designed to seal the connection between a handrail and the glass panel. All it takes is to insert the rubber gaskets inside the cap handrails. The gaskets also provide resistance to water and save cap rails from corrosion. They are ideal for the installation of handrails at staircases, guardrails, balconies, and roof terraces.



Flange Disc

Can Be Used In Exterior Setting Or Interior Setting
 Construction Material: 316 Grade Stainless Steel
 Compatible With: All FMF 42.4 MM Round Cap Handrail Products
 3 Holes For Wall Mounting Screws
 Secures Handrail To Wall/ Floor

Model No.	Finish
DIS-C424.SS	Brushed Stainless
DIS-C424.BL	Matte Black



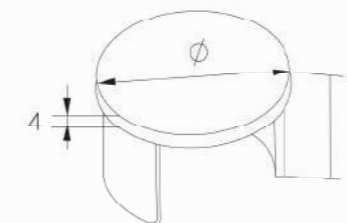
Get a finished look with our flange discs as they are easy to install with minimal maintenance and care required. Their construction in Stainless Steel enhances durability and corrosion resistance. They are ideal for interior/ exterior spaces in residential and commercial areas. They promote the all-glass look with their neat and smooth styles.



End Cap

Can Be Used In Exterior Setting Or Interior Setting
 Construction Material: 316 Grade Stainless Steel
 Compatible With: All FMF 42.4 MM Round Cap Handrail Products

Model No.	Finish
CAP-C4240.SS	Brushed Stainless
CAP-C4240.BL	Matte Black



Complete your railing installation project with FMF End Caps for 42.4 MM Cap Handrails and get a clean, elegant look. These end caps are perfect components where durable, low maintenance, and strong handrails are desired to install. Their construction in Stainless Steel allows the installation of end caps in interior and exterior spaces of residential or commercial areas.

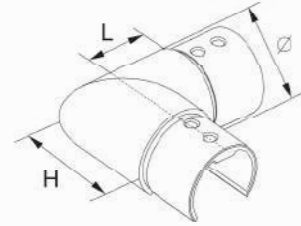


90° Horizontal Elbow

Connects Handrails At A 90° Angle
Can Be Used In Exterior/Interior Setting
Construction Material: 316 Grade Stainless Steel
Compatible With: All FMF 42.4 MM Round Cap Handrail Products

If you are looking for a reliable product that keeps your railing installations safe and long-lasting, choose FMF Glass Hardware products. We carry an extensive collection of hardware products that are designed to meet all requirements of architectural projects.

Model No.	Finish
90ELB-C424H.SS	Brushed Stainless
90ELB-C424H.BL	Matte Black

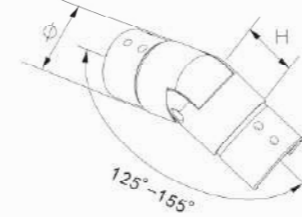


Adjustable Downward Elbow

Connects Round Cap Handrails Together
Can Be Used In Exterior Setting Or Interior Setting
Construction Material: 316 Grade Stainless Steel
Compatible With: All FMF 42.4 MM Round Cap Handrail Products

The connector is a perfect choice when it comes to transitioning the handrails from stairs on the top to a downward angle. The connector is perfect for adjusting to different elevations, such as from straight handrail to stairs downwards.

Model No.	Finish
135ELB-C424D.SS	Brushed Stainless
135ELB-C424D.BL	Matte Black

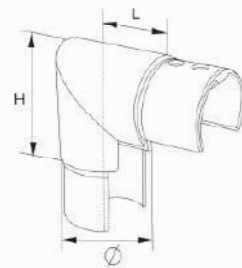


90° Vertical Elbow

Connects Handrails At A 90° Angle
Can Be Used In Exterior/Interior Setting
Construction Material: 316 Grade Stainless Steel
Compatible With: All FMF 42.4 MM Round Cap Handrail Products

The connector is perfect for implementing handrail installations at commercial/ residential properties. The connector is proven to withstand changing environment by offering durability & resistance to corrosion. This makes it suitable to use in interior and exterior places where handrails are installed at staircases, balconies, porches, etc.

Model No.	Finish
90ELB-C424V.SS	Brushed Stainless
90ELB-C424V.BL	Matte Black

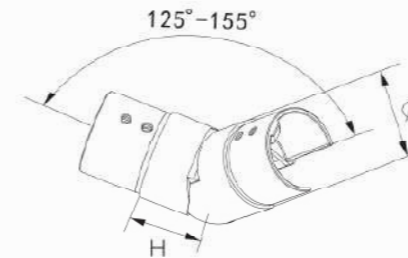


Adjustable Upward Elbow

Connects Round Cap Handrails Together
Can Be Used In Exterior/Interior Setting
Construction Material: 316 Grade Stainless Steel
Compatible With: All FMF 42.4 MM Round Cap Handrail Products

The connector can adjust to different elevations, such as from stairs to straight handrails upwards. Adjustable Upward Elbow provides durability and strength to the handrails while connecting them for a long time. Best to transition the handrails from stairs to an upward angle.

Model No.	Finish
135ELB-C424U.SS	Brushed Stainless
135ELB-C424U.BL	Matte Black

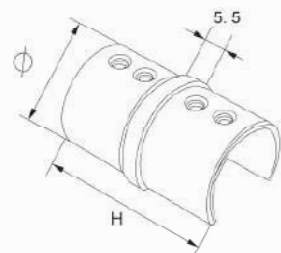


Straight Handrail Connector

Connects Round Cap Handrails Together
Can Be Used In Exterior/ Interior Setting
Construction Material: 316 Grade Stainless Steel
Compatible With: All FMF 42.4 MM Round Cap Handrail Products

Complete your railing installation project with FMF End Caps for 42.4 MM Cap Handrails and get a clean, elegant look. These end caps are perfect components where durable, low maintenance, and strong handrails are desired to install.

Model No.	Finish
SCC-C424.SS	Brushed Stainless
SCC-C424.BL	Matte Black

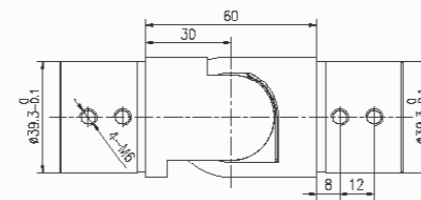


Adjustable Horizontal Elbow

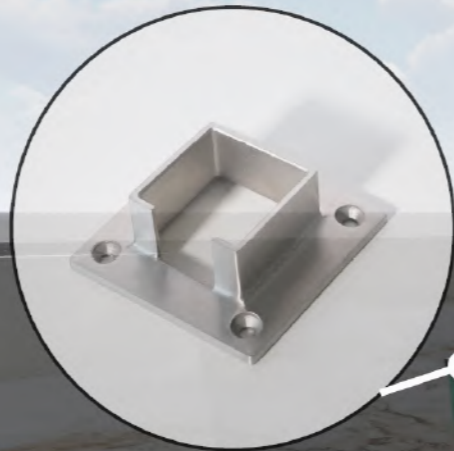
Connects Round Cap Handrails Together
Can Be Used In Exterior/Interior Setting
Construction Material: 316 Grade Stainless Steel
Compatible With: All FMF 42.4 MM Round Cap Handrail Products

The horizontal elbow connector is easy to install & use, providing maximum functionality from the installation. The flexibility works well with round cap handrails for 42.4mm size. With unparalleled performance & durability, you will not regret your decision to install it.

Model No.	Finish
135ELB-C424H.SS	Brushed Stainless
135ELB-C424H.BL	Matte Black



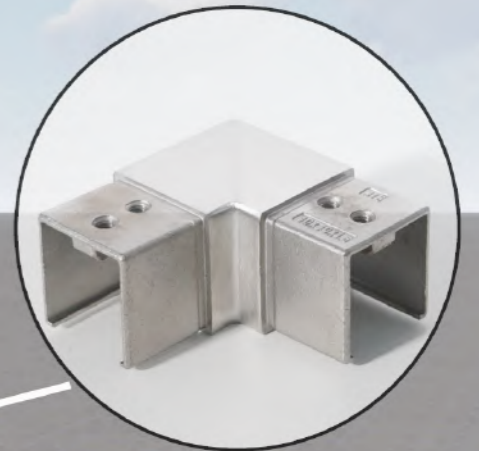
Square Cap Handrail & Fittings



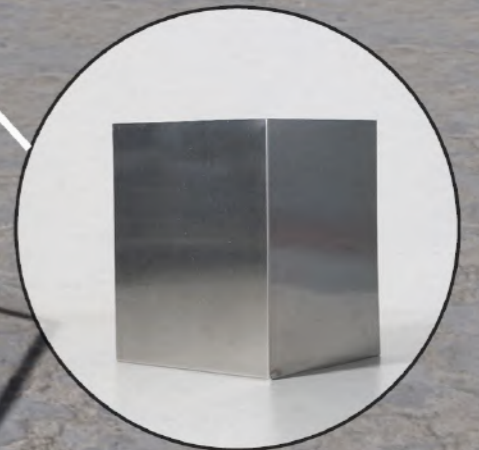
Flange Disc



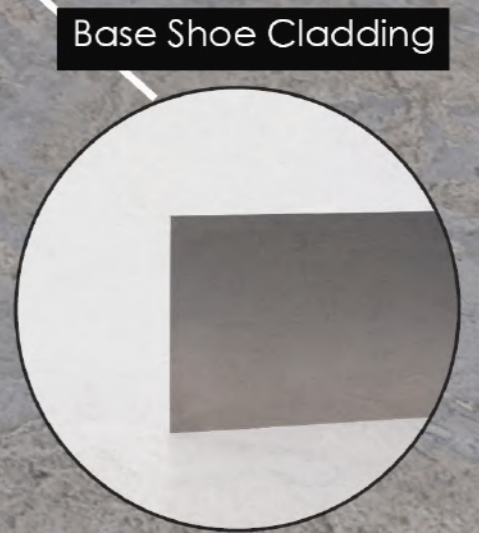
40x40mm Cap Handrail



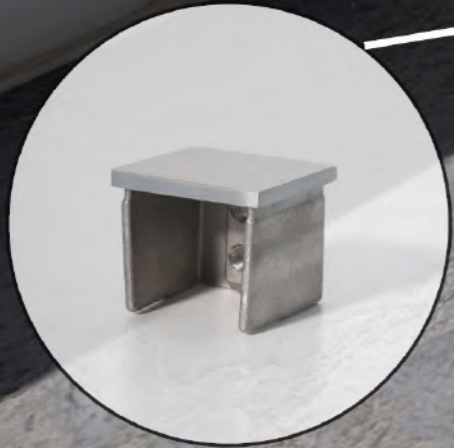
90° Horizontal Elbow



90° Base Shoe Cladding Out



Base Shoe Cladding



End Cap for Handrail



Base Shoe End Cap



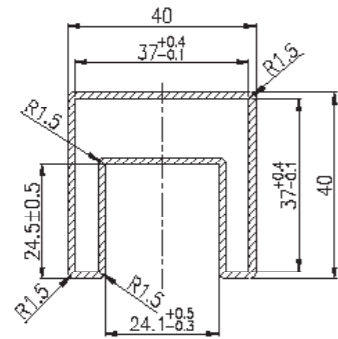
Railing Base Shoe



40x40mm Square Cap-Handrail

Can Be Used In Exterior Setting Or Interior Setting
 Construction Material: 316 Grade Stainless Steel
 Size: 19' Feet Length Available
 Cut To Size Available
 Dimensions: 40mm x 40mm

Model No.	Finish
RAILC4040-16.SS	Brushed Stainless
RAILC4040-16.BL	Matte Black



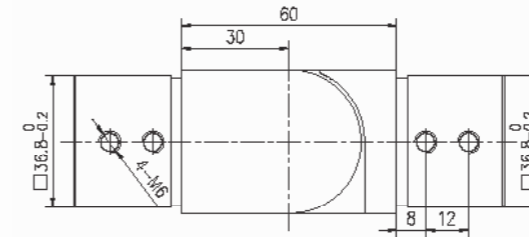
Made of Stainless Steel, our cap rails are durable and provide extensive support to the overall railing system. The cap handrails are an example of modern design with an elegant touch. They uplift the design theme of the area bringing in a sleek and sharp look. These handrails are compatible with all FMF square cap handrail fitting products.



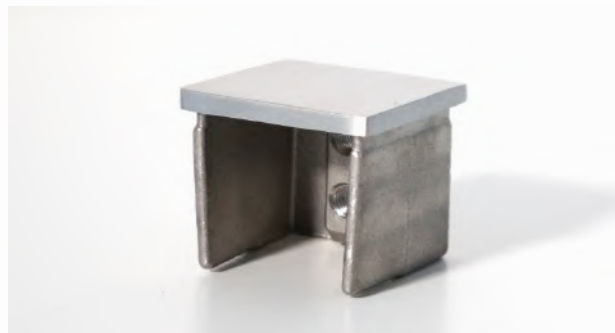
135° Adjustable Downward Elbow

Can Be Used In Exterior Setting Or Interior Setting
 Construction Material: 316 Grade Stainless Steel
 Compatible With: All FMF 40x40mm Square Cap Handrail Products
 Connects Handrails Together

Model No.	Finish
135ELB-C4040D.SS	Brushed Stainless
135ELB-C4040D.BL	Matte Black



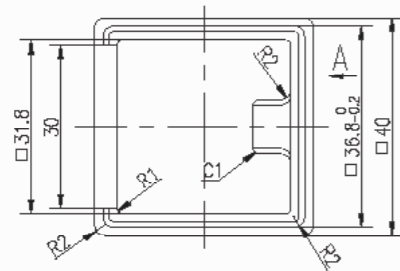
Its flexible nature allows adjusting the angle of the square handrail easily to 135°. Its flexibility has worked well with the square cap handrails. Get in touch with us to learn more about how FMF Hardware products are an excellent choice for your construction and architectural projects. The connector is easy to install, durable and strong.



End Cap

Can Be Used In Exterior Setting Or Interior Setting
 Construction Material: 316 Grade Stainless Steel
 Compatible With: All FMF 40x40mm Square Cap Handrail Products

Model No.	Finish
CAP-C4040.SS	Brushed Stainless
CAP-C4040.BL	Matte Black



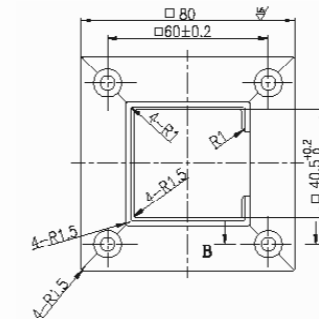
They connect two cap handrails. They are an excellent finishing touch to handrail systems as end caps complete the look. With modern design and approach, these end caps are sure to uplift the overall design of your handrails and complement your architectural projects with finesse.



Flange Disc

Can Be Used In Exterior Setting Or Interior Setting
 Construction Material: 316 Grade Stainless Steel
 Compatible With: All FMF 40x40mm Square Cap Handrail Products
 4 Holes For Wall Mounting Screws
 Secures Handrail To Wall/ Floor

Model No.	Finish
DIS-C4040.SS	Brushed Stainless
DIS-C4040.BL	Matte Black



The flange discs are an optimal choice for our customers for cap handrails installation projects. They complement the appearance of square cap handrails with neat and sharp square corners, transforming the balconies, porches, and fences. As they are resistant to corrosion, they require minimal maintenance and care.

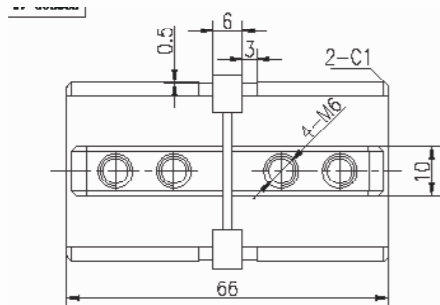


Straight Connector

Can Be Used In Exterior Setting Or Interior Setting
Construction Material: 316 Grade Stainless Steel
Compatible With: All FMF 40x40mm Square Cap
Handrail Products
Connects Square Cap Handrails Together

Model No.	Finish
SCC-C4040.SS	Brushed Stainless
SCC-C4040.BL	Matte Black

The straight inline square cap handrail connectors are appropriate for use in interior and exterior spaces of residential properties, such as balconies and patios and commercial properties such as hotels and offices. Made of Stainless Steel, these cap handrail connectors are sturdy and durable to sustain hot and cold weather conditions.

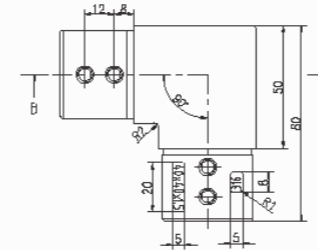


90° Horizontal Elbow

Can Be Used In Exterior Setting Or Interior Setting
Construction Material: 316 Grade Stainless Steel
Compatible With: All FMF 40x40mm Square Cap
Handrail Products
Connects Handrails At A 90° Angle

Model No.	Finish
90ELB-C4040H.SS	Brushed Stainless
90ELB-C4040H.BL	Matte Black

90° Horizontal Square Cap Elbow is ideal for connecting square cap handrails horizontally. Choose FMF glass hardware products for installation of railing systems and enjoy quick and easy installation with products manufactured with premium quality standards.

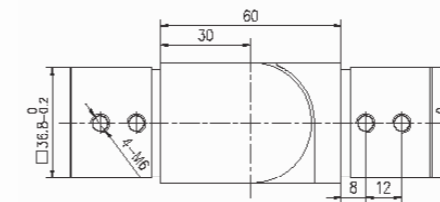


135° Adjustable Horizontal Elbow

Can Be Used In Exterior Setting Or Interior Setting
Construction Material: 316 Grade Stainless Steel
Compatible With: All FMF 40x40mm Square Cap
Handrail Products
Connects Handrails Together

Model No.	Finish
135ELB-C4040H.SS	Brushed Stainless
135ELB-C4040H.BL	Matte Black

Its flexible nature allows adjusting the angle of the square handrail easily to 135°. Its flexibility has worked well with the square cap handrails. Get in touch with us to learn more about how FMF Hardware products are an excellent choice for your construction and architectural projects. The connector is easy to install, durable and strong.



Straight Connector for 42.4MM Handrail

Straight Rectangular Handrail Connector / 40 MM x 20 MM / Connects Rectangular Handrails Together / Can Be Used In Exterior Setting Or Interior Setting / Construction Material: 316 Grade Stainless Steel / Dimensions: 40 MM x 20 MM / Compatible With: All FMF 40 MM x 20 MM Rectangular Handrail Fitting Products

Model No.	Finish
SCC-424.BL	Matte Black
SCC-424.SS	Brushed Stainless

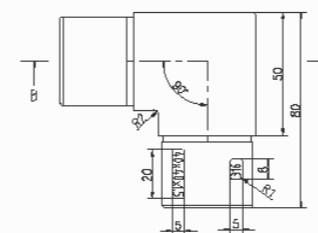


90° Vertical Elbow

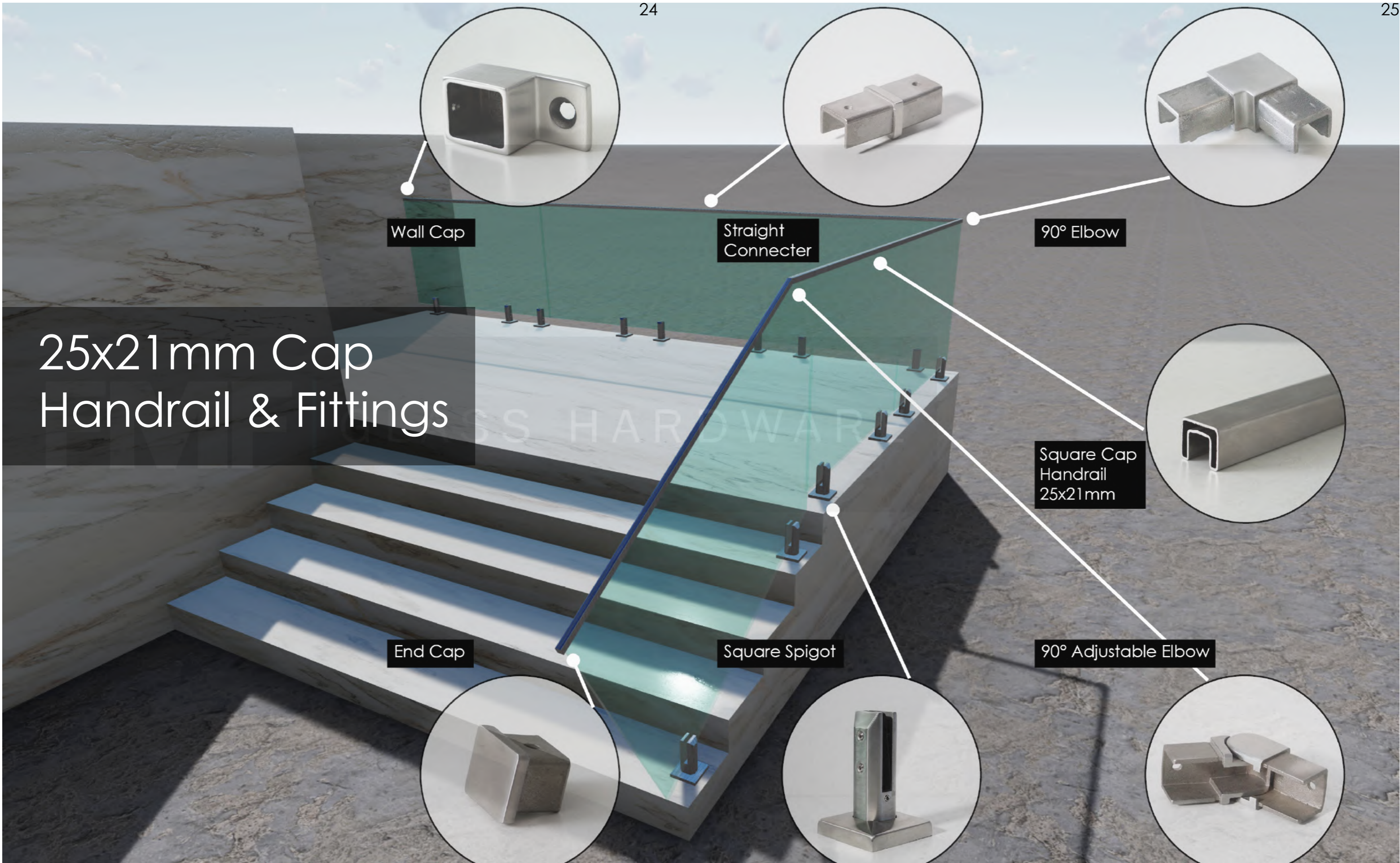
Can Be Used In Exterior Setting Or Interior Setting
Construction Material: 316 Grade Stainless Steel
Compatible With: All FMF 40x40mm Square Cap
Handrail Products
Connects Handrails At A 90° Angle

Model No.	Finish
90ELB-C4040V.SS	Brushed Stainless
90ELB-C4040V.BL	Matte Black

Its sleek design and Stainless Steel finish give a sophisticated look to your handrails. It is ideal to use at residential and commercial properties for staircases, porches, balconies, etc. They are easy to install and use. It creates a 90° vertical fit on the square handrail.



25x21mm Cap Handrail & Fittings



Wall Cap

Straight Connector

90° Elbow

Square Cap Handrail 25x21mm

End Cap

Square Spigot

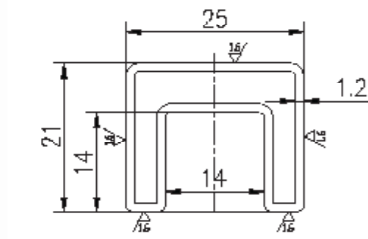
90° Adjustable Elbow



25x21mm Cap-Handrail

Can Be Used In Exterior Setting Or Interior Setting
 Construction Material: 316 Grade Stainless Steel
 Size: 16.4' Feet Length Available
 Cut To Size Available
 Dimensions: 25mm x 21mm

Model No.	Finish
RAILC2521-16.SS	Brushed Stainless
RAILC2521-16.BL	Matte Black



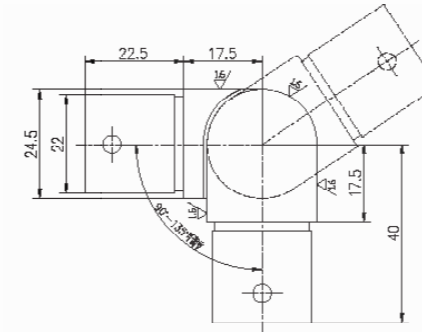
Square Cap Handrails from FMF are slim-styled handrails. They reflect modernity with simplistic design. They can be installed in interior and exterior railing systems to uplift the overall look of the area. Appropriate for commercial and residential properties, these cap handrails are one of the most loved products by our customers.



90° Adjustable Horizontal Elbow

Can Be Used In Exterior Setting Or Interior Setting
 Construction Material: 316 Grade Stainless Steel
 Compatible With: All FMF 25x21mm Rectangular Cap Handrail Products

Model No.	Finish
90ELB-2521H.SS	Brushed Stainless
90ELB-2521H.BL	Matte Black



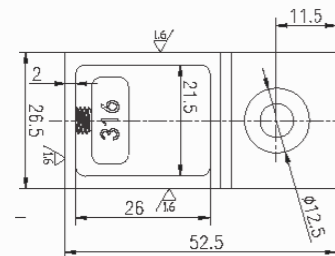
They are constructed of stainless steel; hence, they are perfect to use in interior and exterior railing systems. The H-Elbow fits well with all FMF Square Cap Handrail Fitting Products. It is strong and durable, capable to withstand the interior and exterior environment such as porches, pools, and balconies where railing systems are installed. You can adjust the H-elbow easily by 90°.



Wall Cap

Can Be Used In Exterior Setting Or Interior Setting
 Construction Material: 316 Grade Stainless Steel
 Compatible With: All FMF 25x21mm Rectangular Cap Handrail Products
 1 Hole For Mounting Screw

Model No.	Finish
CAP-2521W.SS	Brushed Stainless
CAP-2521W.BL	Matte Black



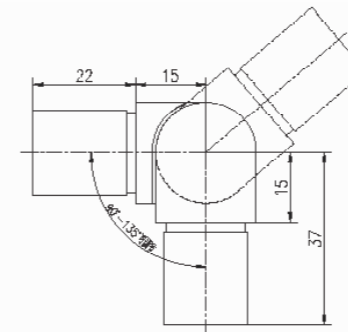
FMF's Wall Caps for 25x21mm Square Cap Handrails are everything you need to improve the safety of your handrails. They make your handrail installations complete by securing the handrails to the wall and are designed to withstand harsh weather conditions when used in outdoor spaces.



90° Adjustable Vertical Elbow

Can Be Used In Exterior Setting Or Interior Setting
 Construction Material: 316 Grade Stainless Steel
 Compatible With: All FMF 25x21mm Rectangular Cap Handrail Products

Model No.	Finish
90ELB-2521A.SS	Brushed Stainless
90ELB-2521A.BL	Matte Black



This is the right product for connecting square cap handrails on a 90-degree angle. It guarantees a pleasant and clean look to your handrail systems. They are proven to withstand harsh weather conditions, hence, they are perfect for handrails installed on balconies, staircases, and porches.

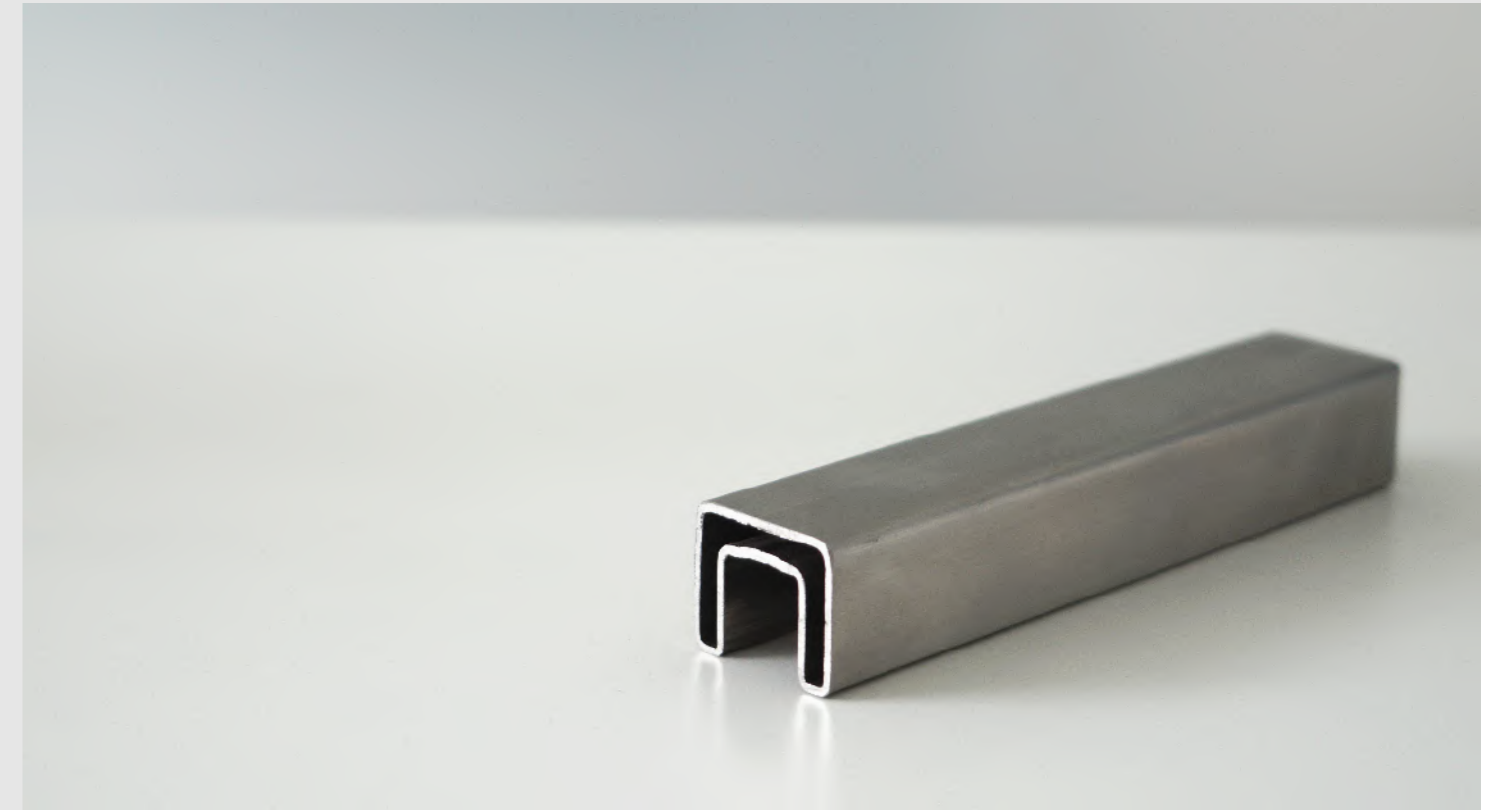
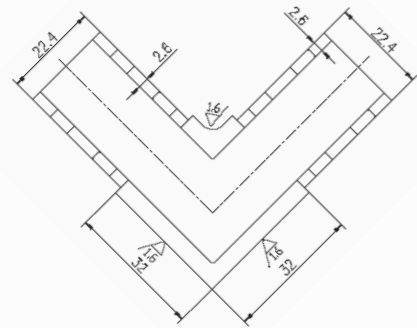


90° Square Cap Elbow

Can Be Used In Exterior Setting Or Interior Setting
 Construction Material: 316 Grade Stainless Steel
 Compatible With: All FMF 25x21mm Rectangular
 Cap Handrail Products

Model No.	Finish
90ELB-2521.SS	Brushed Stainless
90ELB-2521.BL	Matte Black

This provides maximum functionality by adjoining the square corners effectively for a longer run. They are proven to offer maximum durability and support to handrails in both interior and exterior environments and areas such as pool fences, porches or balconies where railing systems are exposed to harsh weather conditions.

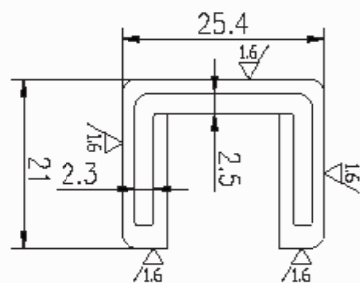


Straight Inline Connector

Can Be Used In Exterior Setting Or Interior Setting
 Construction Material: 316 Grade Stainless Steel
 Compatible With: All FMF 25x21mm Rectangular
 Cap Handrail Products
 Connects Rectangular Cap Handrails Together

Model No.	Finish
SCC-2521.SS	Brushed Stainless
SCC-2521.BL	Matte Black

This is the right product for connecting square cap handrails on a 90-degree angle. It guarantees a pleasant and clean look to your handrail systems. They are proven to withstand harsh weather conditions, hence, they are perfect for handrails installed on balconies, staircases, and porches.

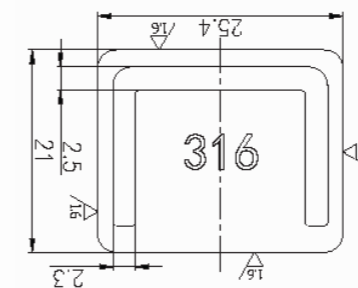


End Cap

Can Be Used In Exterior Setting Or Interior Setting
 Construction Material: 316 Grade Stainless Steel
 Compatible With: All FMF 25x21mm Rectangular
 Cap Handrail Products

Model No.	Finish
CAP-2521.SS	Brushed Stainless
CAP-2521.BL	Matte Black

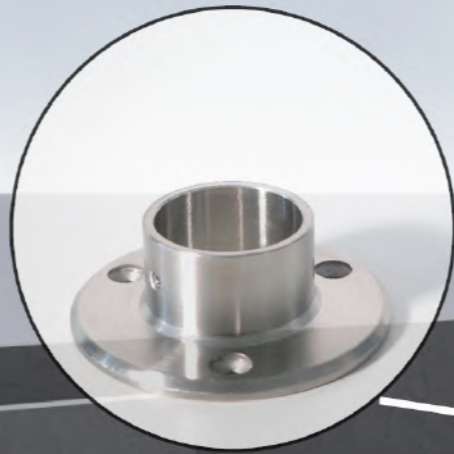
We carry a wide variety of end caps suited to Cap Handrails. They are applicable to use in interior and exterior handrail systems. Our clients prefer these end caps for a wide range of their handrail installation projects. Applicable for a square cap handrail, these end caps provide a smooth and sharp look with square corners.



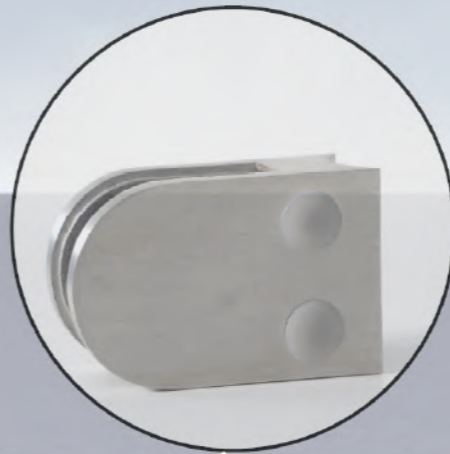
Round Handrail & Fittings



Handrail Support



Flange Disc



Railing Clamp



90° Sharp Elbow



Round Handrail



Handrail Bracket



Round End Cap



Railing Post



Adjustable Elbow

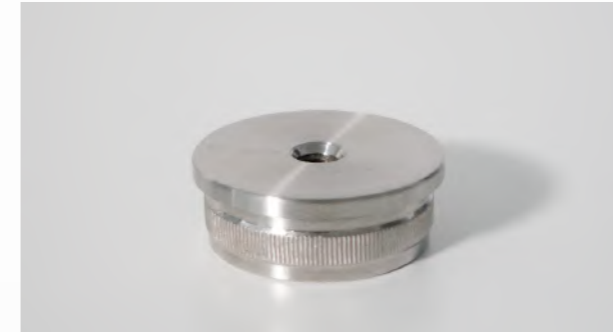
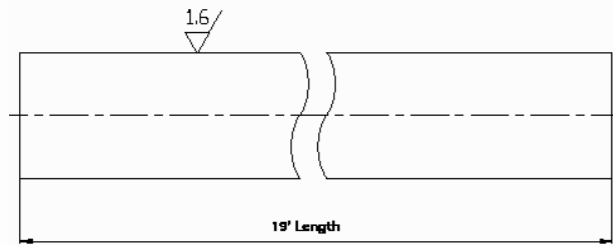


Round Handrail

Can Be Used In Exterior Setting Or Interior Setting
 Cut-to-Size Available
 Construction Material: 316 Grade Stainless Steel
 Size: 16.4' Feet & 19' Feet Length Available
 Compatible with: All FMF Handrail Products

Model No.	Diameter	Finish
RAIL38-19.SS	38.1mm	Brushed Stainless
RAIL38-19.BL	38.1mm	Matte Black
RAIL424-16.SS	42.4mm	Brushed Stainless
RAIL424-16.BL	42.4mm	Matte Black

They are easy to install and maintain. The handrails are available in customized sizes. Available in attractive finishes, they provide elegance to the overall railing installation. Their construction in Stainless Steel enables the handrails to withstand the impact of harsh weather conditions.

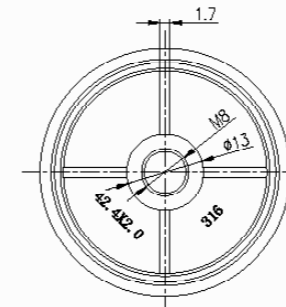


End Cap Threaded

Wall Mounted
 Can Be Used In Exterior Setting Or Interior Setting
 Construction Material: 316 Grade Stainless Steel
 Hole In The Center For Wall Mounting Screw

Model No.	Size	Finish
CAP-424S.SS	42.4mm	Brushed Stainless
CAP-424S.BL	42.4mm	Matte Black

FMF end caps are designed to provide a streamlined look to the handrails. Our components are easy to assemble & flexible enough to suit any project requirements. Made of Stainless Steel, the end caps provide durability, strength & resistance to corrosion for several years. They are perfect for modern architectural projects such as the installation of handrails on balconies, porches, staircases, etc

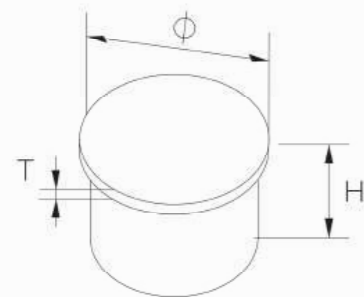


Deep End Cap

Can Be Used In Exterior Setting Or Interior Setting
 Construction Material: 316 Grade Stainless Steel
 Compatible With: All FMF Round Handrails

Model No.	Size	Finish
CAP-424L.SS	42.4mm	Brushed Stainless

Choose FMF Deep End Caps for Round Handrails to finish your handrails with a touch of elegance. These end caps for round handrails offer integrity and harmony in the overall design of your modern construction project. These caps are inserted at the end of the round handrails.

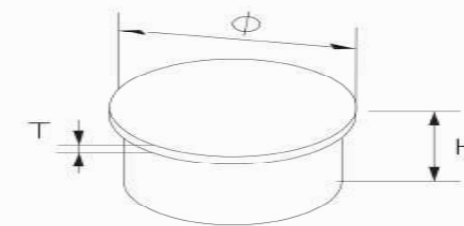


Round End Cap

Can Be Used In Exterior Setting Or Interior Setting
 Construction Material: 316 Grade Stainless Steel
 Compatible With: All FMF Round Handrails

Model No.	Size	Finish
CAP-381.SS	38.1mm	Brushed Stainless
CAP-381.BL	38.1mm	Matte Black
CAP-4240.SS	42.4mm	Brushed Stainless
CAP-4240.BL	42.4mm	Brushed Stainless

Their perfect design and shape create a unique look for the round handrails. We carry two of the most popular finishes for the round-end caps - Matte Black and Brushed Stainless for a sophisticated appeal. They are compatible with All FMF Round Handrails according to their sizes.

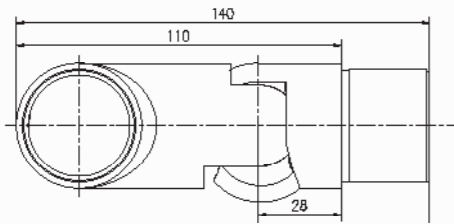




Adjustable Handrail Elbow Connector

Can be Used In Exterior Setting Or Interior Setting
 Construction Material: 316 Grade Stainless Steel
 Compatible with: All FMF 42.4mm Round Handrails
 Finish: Brushed Stainless

Model No.	Corner	Rotation Angle
110ELB-L424.SS	Left	90-70°
110ELB-R424.SS	Right	110-180°



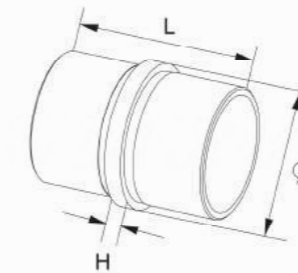
FMF's flexible handrail elbow connector is used to join two round tubes for forming the corner of the handrail. Our adjustable handrail elbow connector is ideal for architectural projects, such as the installation of stairs and railings. Its flexible nature fits well with the round handrails for easy movement.



Straight Tube Connector

Straight Inline Round Handrail Connector
 Can be Used In Exterior Setting Or Interior Setting
 Construction Material: 316 Grade Stainless Steel
 Compatible with: All FMF 38.1mm Round Handrails

Model No.	Size	Finish
SCC-381.SS	38.1mm	Brushed Stainless
SCC-381.BL	38.1mm	Matte Black



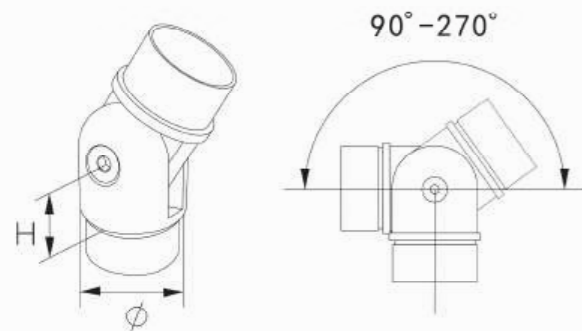
Straight Tube Connectors for round handrail by FMF are made of Stainless Steel. Therefore, they are strong and durable, resistant to corrossions and able to sustain extreme weather conditions. The Straight Inline Round Handrail Connectors are designed considering the contemporary installation requirements of architects and builders.



135° Adjustable Elbow

Can Be Used In Exterior Setting Or Interior Setting
 Construction Material: 316 Grade Stainless Steel
 Compatible With: All FMF Round Handrails
 Connects Handrails at a 135° angle

Model No.	Size	Finish
135ELB-381.SS	38.1mm	Brushed Stainless
135ELB-381.BL	38.1mm	Matte Black
135ELB-424.SS	42.4mm	Brushed Stainless
135ELB-424.BL	42.4mm	Matte Black



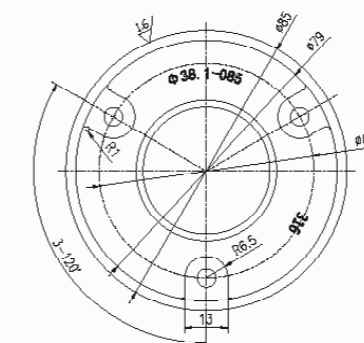
This adjustable elbow is manufactured considering the architectural requirements, such as the installation of stairs & rails in the interior & exterior spaces. They are strong, durable & resistant to corrosion and are just what you need for a successful installation of handrails in residential & commercial properties.



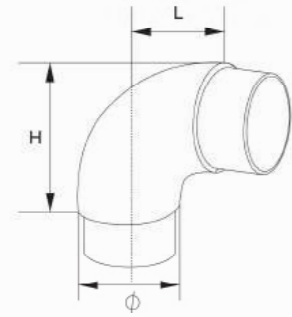
Flange Disc

Can Be Used In Exterior Setting Or Interior Setting
 Construction Material: 316 Grade Stainless Steel
 Compatible With: All FMF Round Handrails

Model No.	Size	Finish
DIS-381.SS	38.1mm	Brushed Stainless
DIS-381.BL	38.1mm	Matte Black
DIS-424.SS	42.4mm	Brushed Stainless



Choose our easy-to-install Flange Discs, offering a finished appearance to round handrails along with securing the ends of the tubes, these flange discs are a smart pick for handrails in balconies, porches, staircases, fences, etc. They require minimal maintenance and are durable for several years with optimum performance.

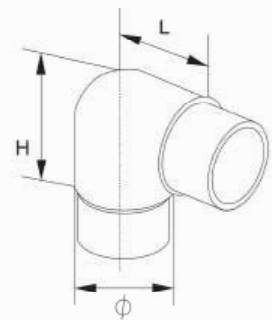


90° Curve Elbow

Can be Used In Exterior Setting Or Interior Setting
 Construction Material: 316 Grade Stainless Steel
 Compatible with: All FMF Round Handrails
 Connects Handrails at a 90° angle
 Curved Edge Design

Model No.	Size	Finish
90ELB-381C.SS	38.1mm	Brushed Stainless
90ELB-424C.SS	42.4mm	Brushed Stainless

The connector is easy to use, with high quality and finished corners. The curved edge design gives a classic look to the overall railing systems designs. It is ideal for architectural projects such as the installation of railing systems at staircases, porches, balconies, etc.

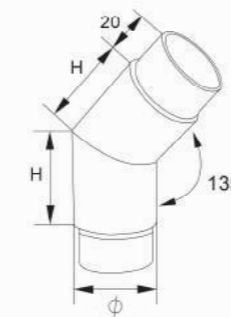


90° Sharp Elbow

Can Be Used In Exterior Setting Or Interior Setting
 Construction Material: 316 Grade Stainless Steel
 Compatible With: All FMF Round Handrails
 Connects Handrails at a 90° angle
 Sharp Edge Design

Model No.	Size	Finish
90ELB-381S.SS	38.1mm	Brushed Stainless
90ELB-381S.BL	38.1mm	Matte Black
90ELB-424S.SS	42.4mm	Brushed Stainless
90ELB-424S.BL	42.4mm	Matte Black

It creates a sharp 90° turn on the round handrail giving an aesthetic look and design to the handrails. It also provides durability and strength, so you need not worry as your architectural project installations will be long-lasting. With FMF Glass Hardware products, you get easy installation and the promise of maintaining quality standards.



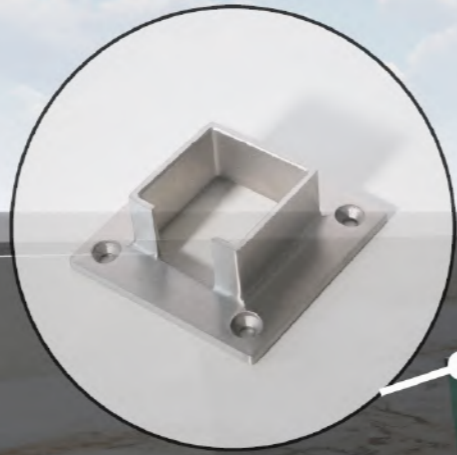
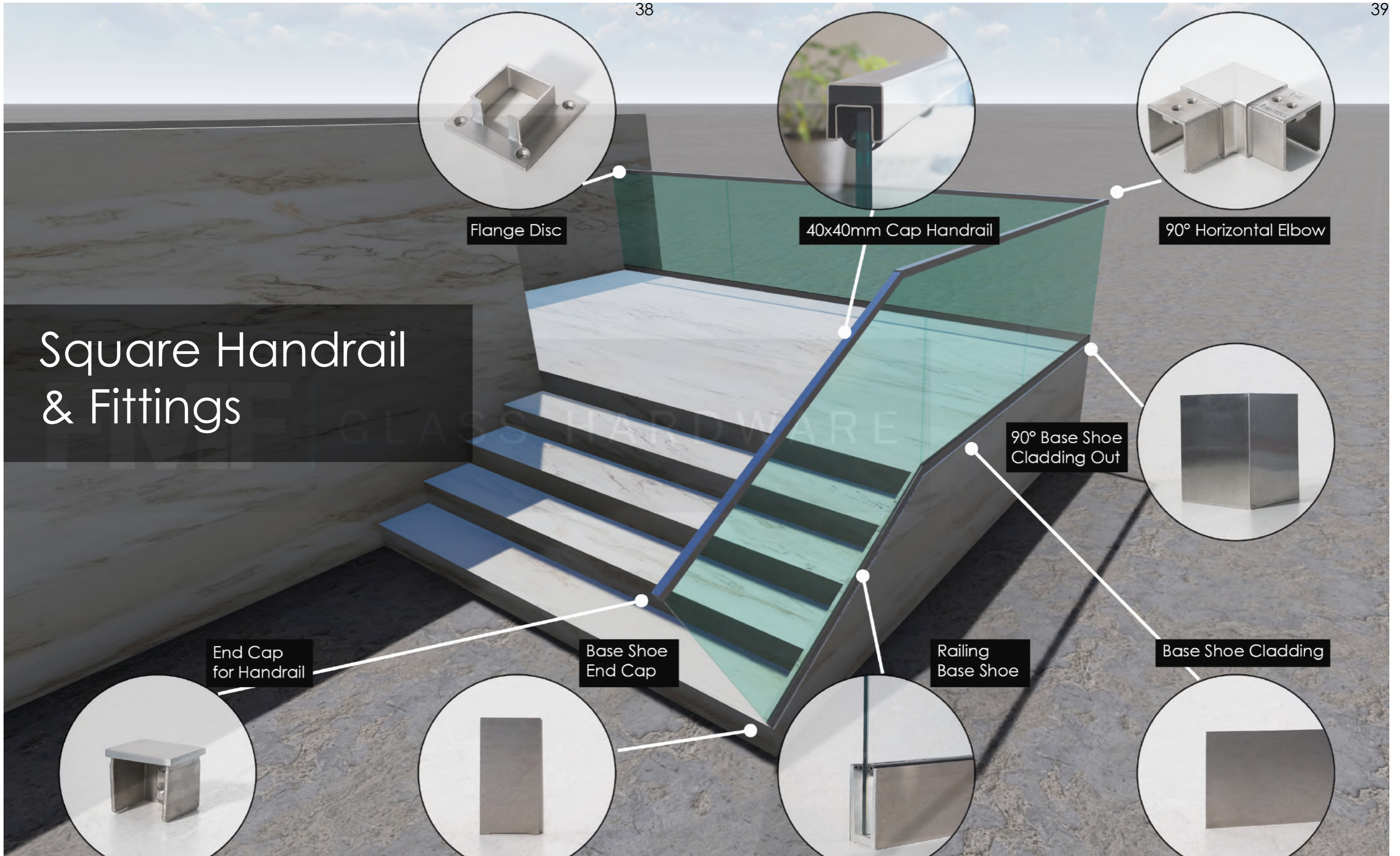
45° Elbow

Can Be Used In Exterior Setting Or Interior Setting
 Construction Material: 316 Grade Stainless Steel
 Compatible With: All FMF Round Handrails
 Connects Handrails at a 45° angle

Model No.	Size	Finish
45ELB-381.SS	38.1mm	Brushed Stainless
45ELB-424.SS	38.1mm	Brushed Stainless

It is easy to install, saving you time and effort during the assembly process. Its sleek design and finish add a touch of elegance to any staircase, balcony, or other architectural applications. This elbow is built to withstand the rigors of daily use while maintaining its functionality and visual appeal.

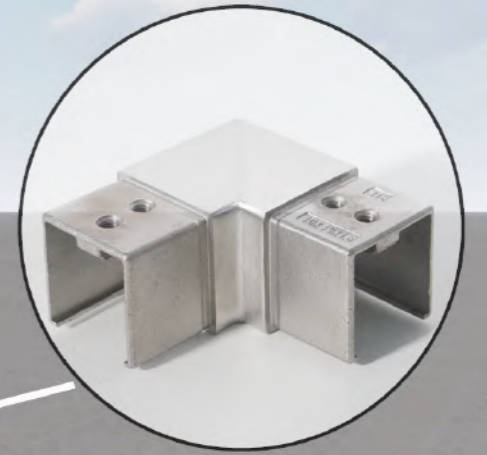
Square Handrail & Fittings



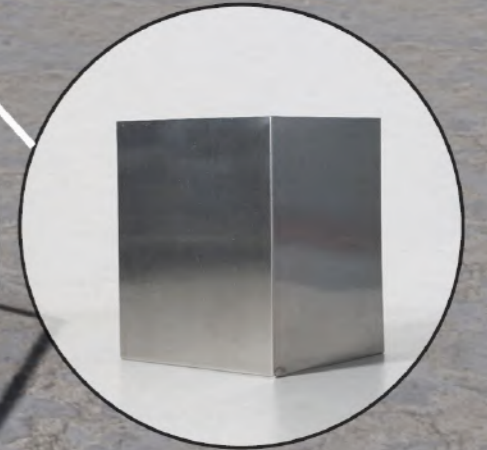
Flange Disc



40x40mm Cap Handrail



90° Horizontal Elbow



90° Base Shoe Cladding Out



End Cap for Handrail



Base Shoe End Cap



Railing Base Shoe



Base Shoe Cladding

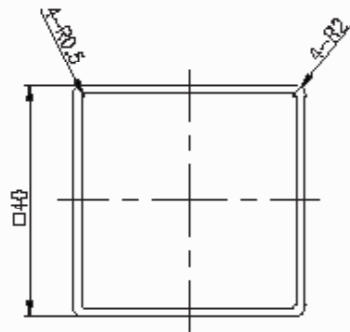


Square 40x40mm Handrail

Can Be Used In Exterior Setting Or Interior Setting
 Construction Material: 316 Grade Stainless Steel
 Size: 19' Feet Length Available
 Cut To Size Available
 Dimensions: 40mm x 40mm

Model No.	Finish
RAIL4040-19.SS	Brushed Stainless
RAIL4040-19.BL	Matte Black

FMF Square 40x40mm Handrails are an example of sophistication and strength. The square handrail tubes are made of high-quality Stainless Steel for corrosion resistance. Hence, our handrails are suitable to install in interior and exterior places such as balconies, porches, patios, etc., of residential as well as commercial areas.

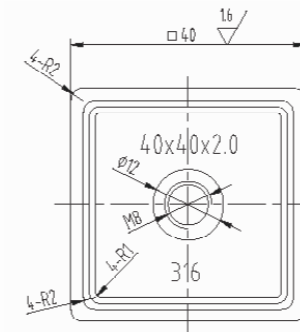


End Cap Threaded

Can Be Used In Exterior Setting Or Interior Setting
 Construction Material: 316 Grade Stainless Steel
 Compatible With: All FMF 40x40mm Square Handrail Products

Model No.	Finish
CAP-4040H.SS	Brushed Stainless

These square handrail end caps are threaded and are compatible with all FMF square handrail products. They are built with high-quality Stainless Steel providing durability and corrosion resistance for a long time. Give a unique and modern appeal to your handrails so that they complement the overall look of your area.

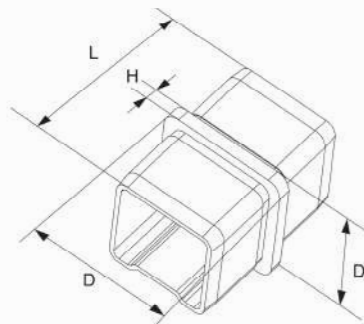


Straight Square Connector

Can Be Used In Exterior Setting Or Interior Setting
 Construction Material: 316 Grade Stainless Steel
 Compatible With: All FMF 40x40mm Square Handrail Fitting Products
 Connects Square Handrails Together

Model No.	Finish
SCC-4040.SS	Brushed Stainless
SCC-4040.BL	Matte Black

Promising durability and strength, they secure the square handrails for a long time. We provide two popular finishes for the connectors – Brushed Stainless and Matte Black to expand the horizons of matching the design requirements of the handrails. They are resistant to corrosion and do not wear off in wet or dry environments.

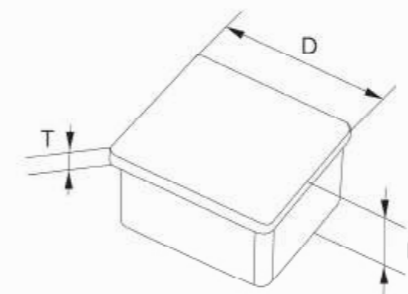


End Cap

Can Be Used In Exterior Setting Or Interior Setting
 Construction Material: 316 Grade Stainless Steel
 Compatible With: All FMF 40x40mm Square Handrail Products

Model No.	Finish
CAP-4040.SS	Brushed Stainless
CAP-4040.BL	Matte Black

They are an efficient support system to the square handrails by adding a complete look. Their unique design and manufacturing encourage them to use in interior and exterior places. From Matte Black to Brushed Stainless, these finishes can uplift the look of your handrails to the next level.



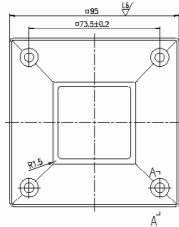


Flange Disc

Can Be Used In Exterior Setting Or Interior Setting
 Construction Material: 316 Grade Stainless Steel
 Compatible With: All FMF 40x40mm Square Handrail Products
 4 Holes For Wall Mounting Screws
 Secure Handrail To Wall/ Floor

Model No. DIS-4040.SS
Finish Brushed Stainless

If you are looking for a sharp look & complete your installation, then FMF Flange Discs for Square Handrails are your ideal choice for securing handrails to the wall & floor. Along with fixing the square handrails, these discs also add a unique touch to the overall design of the handrails.

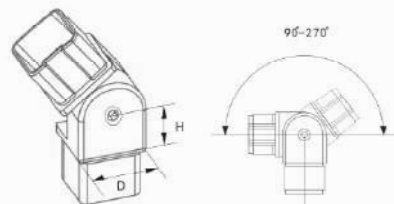


135° Adjustable Square Elbow

Can Be Used In Exterior Setting Or Interior Setting
 Construction Material: 316 Grade Stainless Steel
 Compatible With: All FMF 40x40mm Square Handrail Products

Model No. 135ELB-4040.SS
Finish Brushed Stainless
 135ELB-4040.BL
 Matte Black

FMF's flexible square handrail elbow connector can connect two square handrails for forming the corner of the handrail. Our adjustable handrail elbow connector is ideal for architectural projects, such as the installation of handrails in the interior or exterior architectural projects.

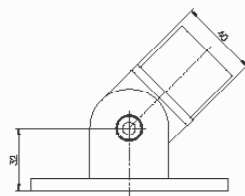


Square Flexible Tube Base-Mount

Can Be Used In Exterior Setting Or Interior Setting
 Construction Material: 316 Grade Stainless Steel
 Compatible With: All FMF 40x40mm Square Handrail Fitting Products
 Secure Handrail To Wall/ Floor
 180° Adjustable, 4 Holes for Mounting Screw

Model No. ABM-4040.SS
Finish Brushed Stainless
 ABM-4040.BL
 Matte Black

The square base mount can be adjusted to allow the square handrail to be installed at a desired angle. It is adjustable to move up to 180° for gaining level at any staircases or balconies. It is also capable to sustain extreme weather conditions when used for exterior spaces.



135° Vertical Cap-Rail Elbow

135° Adjustable Downward Elbow / For FMF 40x40 MM Square Cap Handrail Connects Handrails Together Can Be Used In Exterior Setting Or Interior Setting / Construction Material: 316 Grade Stainless Steel / Compatible With: All FMF 40x40 MM Cap Handrail Products

Model No. 135ELB-C4040D.BL
Finish Matte Black
 135ELB-C4040D.SS
 Brushed Stainless

This 135° Adjustable Downward Elbow is designed for use with FMF 40x40mm square cap handrails, providing a reliable connection between handrails. Made from durable 316-grade stainless steel, it is suitable for both interior and exterior settings.

This elbow fitting is fully compatible with all FMF 40x40mm cap handrail products and ensures a secure, adjustable connection. It is backed by a 1-year limited warranty and ships via a third-party courier service for added convenience.

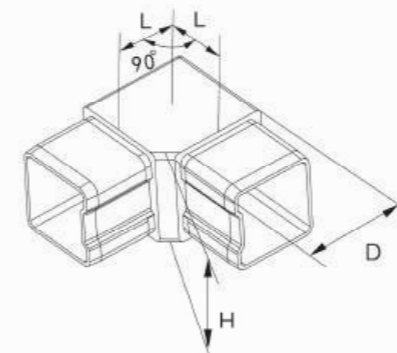


90° Square Elbow

Can Be Used In Exterior Setting Or Interior Setting
 Construction Material: 316 Grade Stainless Steel
 Compatible With: All FMF 40x40mm Square Handrail Products
 Connects Handrails At A 90° Angle

Model No. 90ELB-4040.SS
Finish Brushed Stainless
 90ELB-4040.BL
 Matte Black

The elbow transforms your architectural designs that involve railing installations with modern-looking materials. It helps create a completely unique look to your architectural design. The square handrail connection is appropriate for inside and outside 90° corner joints of handrails in the railing systems at staircases, balconies, porches, fences, etc.



Rectangular Handrail & Fittings

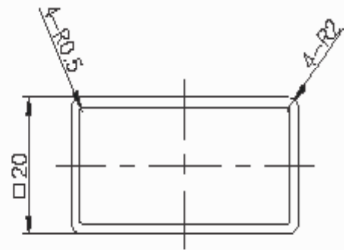




40x20mm Rectangular Handrail

Connects Rectangular Handrails Together
Can Be Used In Exterior Setting Or Interior Setting
Construction Material: 316 Grade Stainless Steel
Length: 16.4 Feet
Cut to Size Available

Our clients are extremely happy with the appearance of these handrails as they are designed to suit modern design requirements, providing durability and corrosion resistance.

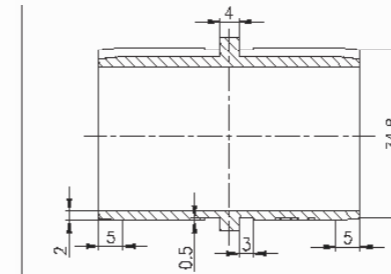


Model No.	Finish
RAIL4020-16.SS	Brushed Stainless
RAIL4020-16.BL	Matte Black



Straight Connector

Connects Rectangular Handrails Together
Can Be Used In Exterior Setting Or Interior Setting
Construction Material: 316 Grade Stainless Steel
Compatible With: All FMF 40x20mm Rectangular Handrail Products



Model No.	Finish
SCC-4020.SS	Brushed Stainless
SCC-4020.BL	Matte Black



50x25mm Rectangular Handrail

Construction Material: 316 Grade Stainless Steel
Length: 16.4 Feet

Crafted from 316 grade stainless steel, this rectangular handrail offers superior corrosion resistance, making it an ideal choice for interior and exterior applications alike. Compatible with all FMF 50x25mm rectangular handrail fittings, it integrates seamlessly into your project with minimal effort.

Model No.	Finish
RAIL5025-16.SS	Brushed Stainless
RAIL5025-16.BL	Matte Black



135° Adjustable Vertical Elbow

135° Adjustable Horizontal Elbow / For FMF 40x20 MM Square Cap Handrail
Connects Handrails Together / Can Be Used In Exterior Setting Or Interior Setting / Construction Material: 316 Grade Stainless Steel / Compatible With: All FMF 40x20 MM Cap Handrail Products

Manufactured of 316-grade stainless steel, it is durable and strong. It works well for connecting handrails together. Its flexible nature allows adjusting the angle of the square handrail easily to 135°. Its flexibility has worked well with the square cap handrails. Get in touch with us to learn more about how FMF Hardware products are an excellent choice for your construction and architectural projects.

Model No.	Finish
135ELB-4020H.BL	Matte Black
135ELB-4020H.SS	Brushed Stainless



135° Adjustable Horizontal Elbow

135° Vertical Elbow / For FMF 40x20 MM Square Cap Handrail Connects Handrails Together
Can Be Used In Exterior Setting Or Interior Setting / Construction Material: 316 Grade Stainless Steel / Compatible With: All FMF

Manufactured of 316-grade stainless steel, it is durable and strong. It works well for connecting handrails together. Its flexible nature allows adjusting the angle of the square handrail easily to 135°. Its flexibility has worked well with the square cap handrails. Get in touch with us to learn more about how FMF Hardware products are an excellent choice for your construction and architectural projects.

Model No.	Finish
135ELB-4020V.BL	Matte Black
135ELB-4020V.SS	Stainless Steel
135ELB-5025H.BL	Matte Black
135ELB-5025H.SS	Stainless Steel
135ELB-5025V.BL	Matte Black
135ELB-5025V.SS	Stainless Steel



Rectangular End Cap

Connects Rectangular Handrails Together
 Construction Material: 316 Grade Stainless Steel
 Compatible With: All FMF 40x20MM and 50x25MM Rectangular Handrail Products

We carry a stock of end caps suited for rectangular handrails. They are perfect for interior and exterior spaces such as porches or balconies.

Model No.	Finish	Size
CAP-4020.SS	Brushed Stainless	40x20 MM
CAP-4020.BL	Matte Black	40x20 MM
CAP-5025.SS	Brushed Stainless	50x25 MM
CAP-5025.BL	Matte Black	50x25 MM

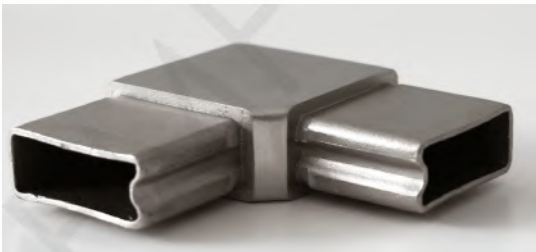


Straight Connector for Rectangle Handrail

Straight Join: Connects two handrails at a 180° angle / Material: Durable, corrosion-resistant stainless steel / Finishes: Available in Brushed Stainless Steel and Matte Black \ Quick Install: Simplifies the setup process

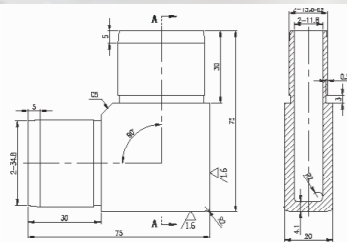
Model No.	Finish
SCC-5025.BL	Matte Black
SCC-5025.SS	Brushed Stainless

The 180° Connector is a practical and durable solution for seamlessly joining two rectangular handrail sections in a straight line. Crafted from high-quality stainless steel, it ensures a strong, secure connection with a clean, finished look. Ideal for both residential and commercial railing systems, this connector is designed for easy installation, helping reduce time and effort on-site. The 180° Connector is designed to join two handrails in a straight line at a 180° angle, offering a durable and corrosion-resistant stainless steel construction. It comes in Brushed Stainless Steel and Matte Black finishes and is engineered for quick, easy installation to streamline the setup process.



90° Rectangular Elbow

Connects Rectangular Handrails at A 90° Angle
 Can Be Used In Exterior Setting Or Interior Setting
 Construction Material: 316 Grade Stainless Steel
 Compatible With: All FMF 40x20mm Rectangular Handrail Products



Model No.	Finish
90ELB-4020.SS	Brushed Stainless
90ELB-4020.BL	Matte Black

The elbow enables the execution of handrails installation with finesse. They add a touch of classic style & completeness to the handrails.

90° Elbow for 50x25MM Rectangle Handrail

90° Elbow For FMF 50x25 MM Rectangle Handrail Connects Handrails Together Can Be Used In Exterior Setting Or Interior Setting / Construction Material: 316 Grade Stainless Steel / Compatible With: All FMF 50x25 MM Handrail Products



Model No.	Finish
90ELB-5025.BL	Matte Black
90ELB-5025.SS	Brushed Stainless

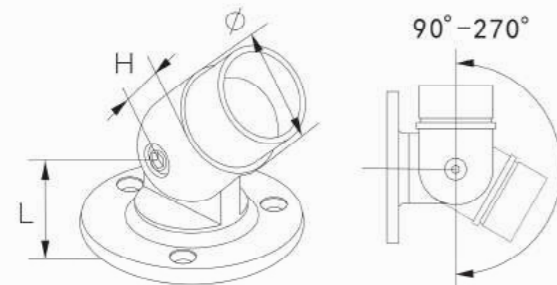
The 90° Connector is specially crafted to join FMF 50x25 mm rectangular handrail sections at a right angle, making it ideal for both interior and exterior use in residential and commercial settings. Made from premium 316 stainless steel, it offers excellent corrosion resistance and long-lasting durability. Fully compatible with all FMF 50x25 mm handrail products, it ensures a seamless fit and dependable performance. The connector ships via a trusted third-party courier and includes a limited 5-year warranty for added peace of mind.



Flexible Base Mount

Can be Used In Exterior Setting Or Interior Setting
 Construction Material: 316 Grade Stainless Steel
 Compatible with: All FMF Round Handrails
 Wall/ Floor Mounted
 3 Slots For Mounting Screws

Model No.	Size	Finish
ABM-381.SS	38.1mm	Brushed Stainless



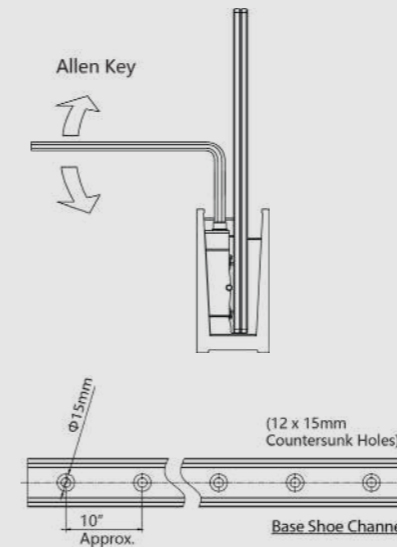
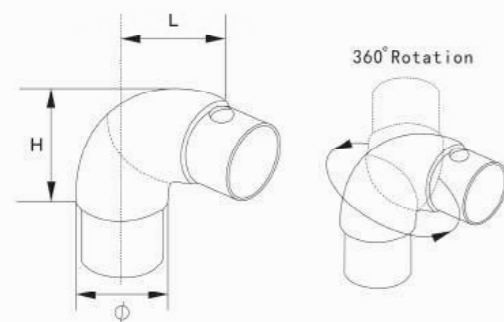
FMF's Adjustable Base Mount for handrails is just the product you need to accomplish your handrails installation project. Our base mount is suitable for a wide range of applications for handrails at stairs, balconies, decks, and patios. Our hardware solution is what you need to accomplish your railing system installation in one go.



Rotating Elbow

360° Rotating Adjustable Connecting Elbow
 Can Be Used In Exterior Setting Or Interior Setting
 Construction Material: 316 Grade Stainless Steel
 Compatible With: All FMF Round Handrails

Model No.	Size	Finish
360ELB-381.SS	38.1mm	Brushed Stainless
360ELB-424.SS	42.4mm	Brushed Stainless

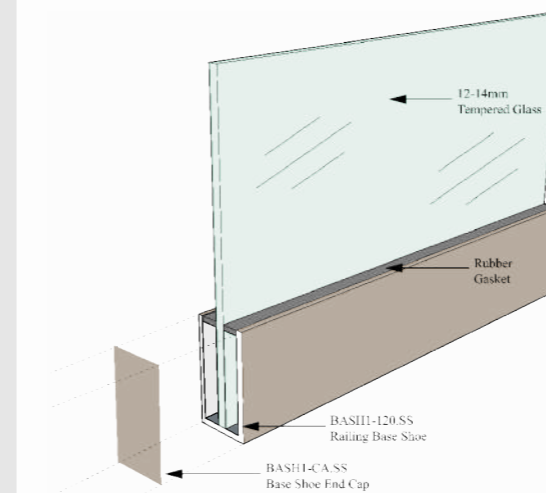


Railing Base Shoe

Approved by The National Building Code
 Applicable for: 12mm -14mm Tempered Glass
 Can Be Used In Exterior Setting Or Interior Setting
 Construction Material: Aluminum
 Function: To Secure Glass Railing
 Size: 4" Height & 120" Length
 Kit includes: 1 Channel (120"), 2 Gaskets, 2 End-caps, 9 Glass Clamps
 Secured By Screws (Sold separately) Bolted To Floor

Model No.	Finish
BASH1-120.SS	Brushed Stainless
BASH1-120.BL	Matte Black Pre-finished

Our railing base shoe system is secured to the floor, providing maximum stability to the glass railings. It also provides a professional and modern look to the overall area with low visibility and a neat design. The Aluminum Base runs along the bottom of the glass panes safely by securing them from the floors at every angle.

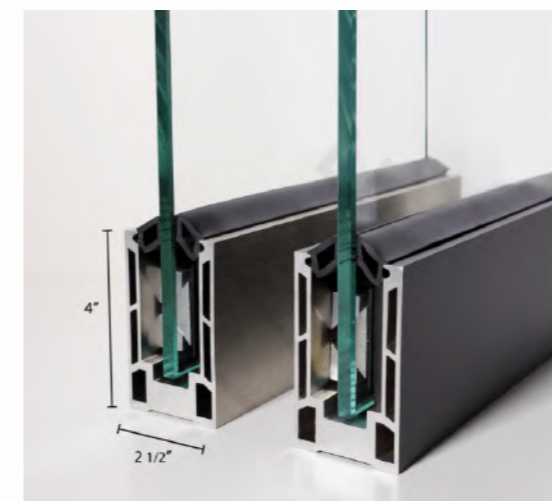


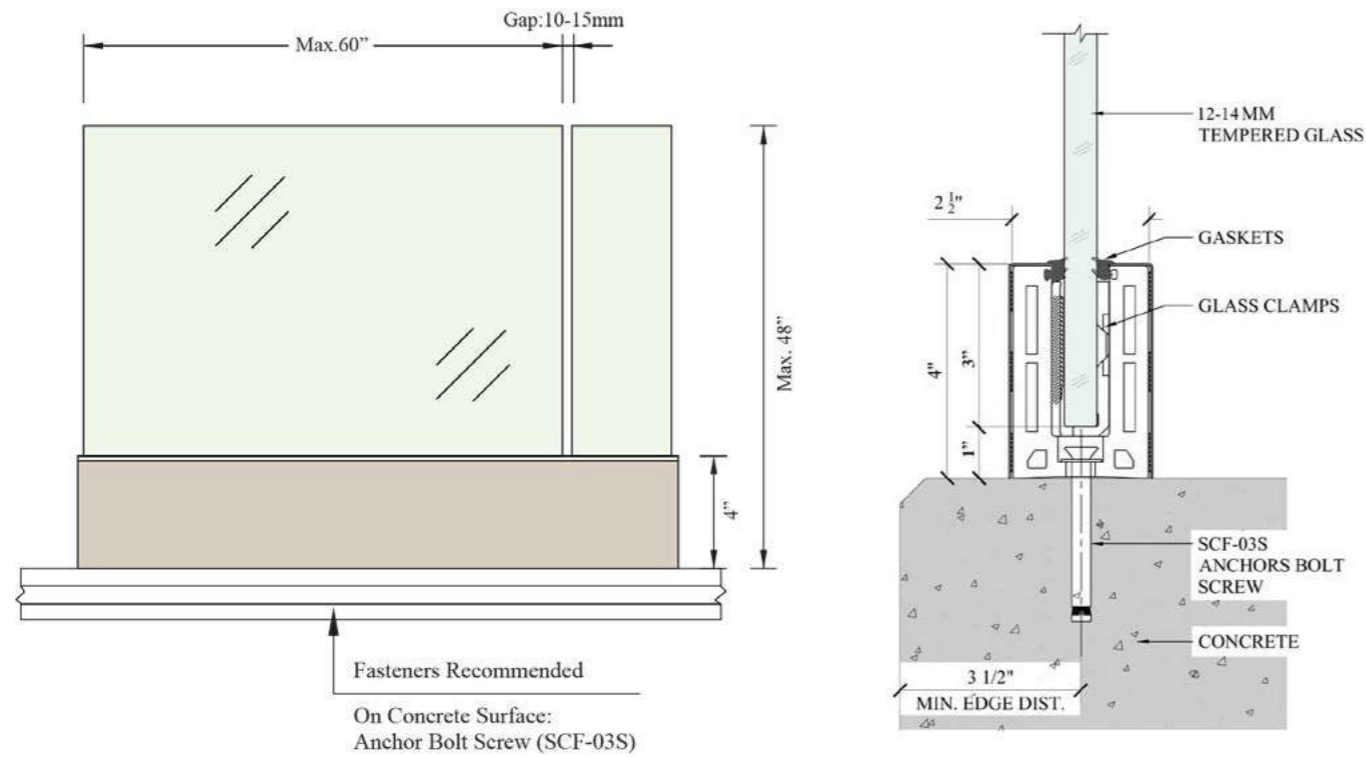
Base Shoe Gasket

Designed for use with the FMF Base Shoe, the FMF Top Rubber Gasket seals the top of the Base Shoe pocket once the glass is installed. It also serves as an effective seal when paired with the FMF Base Shoe for slant pours.

Model No.	Finish
BASH1-GAS.10	

Designed for use with the FMF Base Shoe, the FMF Top Rubber Gasket seals the top of the Base Shoe pocket once the glass is installed. It also serves as an effective seal when paired with the FMF Base Shoe for slant pours.

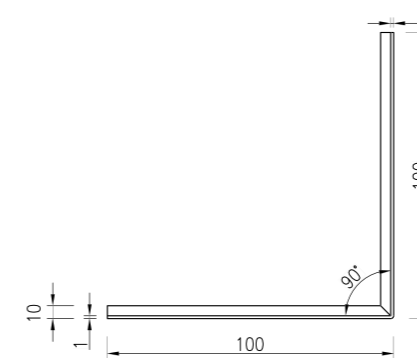




90° Base Shoe Cladding Out

Can Be Used In Exterior Setting Or Interior Setting
 Function: Cover Plate For Base Shoe Finishing
 For Mitered Corner Application
 Secured By Using Silicone Sealant/ Cladding Tape

Model No.	Finish	Construction Material
BASH1-902.SS	Brushed Stainless	316 Grade SS
BASH1-902.BL	Matte Black	304 Grade SS



The cladding covers the outside edge of the Base Shoe and is perfect for mitered corners. Use the 90° Base Shoe Cladding (Outside) for interior or exterior areas of commercial, public or residential places. Our cover plate is manufactured in 316 Grade Stainless Steel showcases FMF's promise to deliver quality products to our clientele.

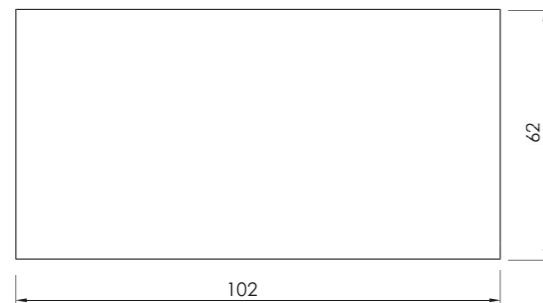


Base Shoe End Cap

Can Be Used In Exterior Setting Or Interior Setting
 Construction Material: 316 Grade Stainless Steel
 Function: End Cap For Base Shoe Finishing
 Secured By Using Silicone Sealant/ Cladding Tape

Model No.	Finish	Construction Material
BASH1-CA.SS	Brushed Stainless	316 Grade SS
BASH1-CA.BL	Matte Black	304 Grade SS

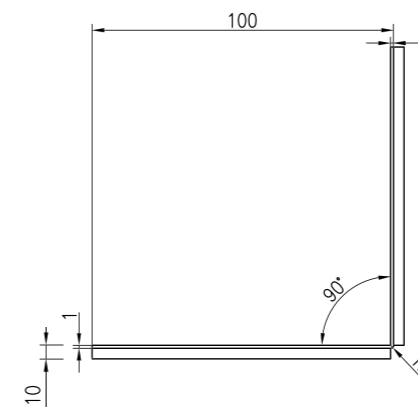
Its sleek and modern design is suitable for all types of railings, giving a clear view from the balconies and other areas. It ensures clear visibility with a finished look when installed at the ends of a base shoe. It is a perfect choice when it comes to durability and rust-proof.



90° Base Shoe Cladding In

Can Be Used In Exterior Setting Or Interior Setting
 Function: Cover Plate For Base Shoe Finishing
 For Mitered Corner Application
 Secured By Using Silicone Sealant/ Cladding Tape

Model No.	Finish	Construction Material
BASH1-901.SS	Brushed Stainless	316 Grade SS
BASH1-901.BL	Matte Black	304 Grade SS



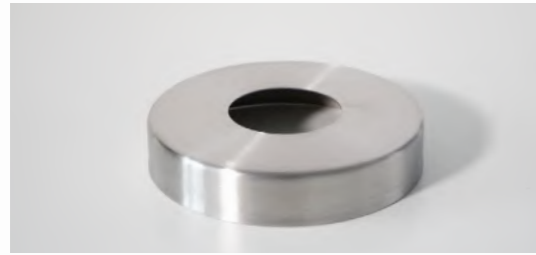
It is an excellent cover plate for base shoe finishing as it secures the inside edge of the Base Shoe effectively. FMF Mitered Corner Cladding matches the designs of architectural projects. The 90° cladding is the perfect cover for the 90° inside corners of your base shoe. Quick and easy to install, it is the best fit for your project.

Glass Railing Post Attachments



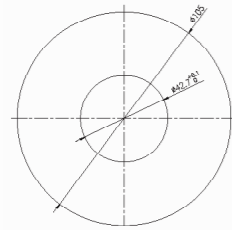
Railing posts attachments, also known as handrail support attachments, are used to secure handrails to railing posts. FMF Hardware offers innovative designs for railing posts attachments, that are perfect for all FMF square or round railing posts. Proper attachments are essential for any successful railing installation. These are fit for 10-12mm tempered glass and come with a 3-year limited warranty.

Railing post attachments are crucial for safety and durability. FMF Hardware railing post attachments offer best support for handrails by keeping them unmoved and fixated to railing posts. They can simplify the task of sturdy railing installation.



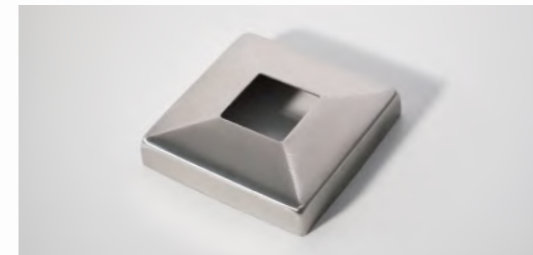
Round Base Flange Cover

Can Be Used In Exterior Setting Or Interior Setting
 Construction Material: 316 Grade Stainless Steel
 Compatible With: All FMF 42.4mm Round Railing Posts
 Cover Plate For Flange Disk



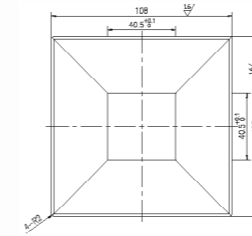
Model No.	Finish
RPA-01.SS	Brushed Stainless

These disk covers are easy to install and are built with high-quality standards. They give a finishing look to the railing systems.



Square Base Flange Cover

Can Be Used In Exterior Setting Or Interior Setting
 Construction Material: 316 Grade Stainless Steel
 Compatible With: All FMF 40x40mm Square Railing Posts
 Cover Plate For Flange Disk



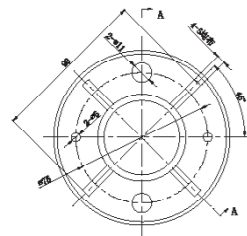
Model No.	Finish
SPA-01.SS	Brushed Stainless
SPA-01.BL	Matte Black

The square flange covers offer a sleek and modern finish. Choosing our base flange covers ensures your elegant railing systems will last longer.



Round Base Flange Disc

Construction Material: 316 Grade Stainless Steel
 Compatible With: All FMF 42.4mm Round Railing Posts
 Function: Used To Secure Custom Railing Posts As A Base Secured To Floor Using Screws
 Railing Post To Be Welded To Flange Disk



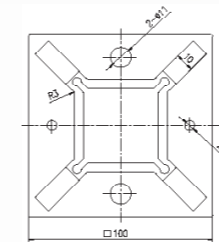
Model No.	Finish
RPA-02.SS	Brushed Stainless

The railing posts can be welded to the flange disk. Made of Stainless Steel, these discs are durable and resistant to corrosion, offering support to railing posts for a long time.



Square Base Flange Disc

Construction Material: 316 Grade Stainless Steel
 Compatible With: All FMF 40x40mm Square Railing Posts
 Function: Used To Secure Custom Railing Posts As A Base Secured To Floor Using Screws
 Railing Post To Be Welded To Flange Disk



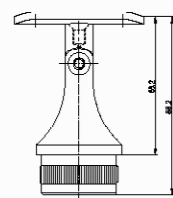
Model No.	Finish
SPA-02.SS	Brushed Stainless

They are perfect for providing a base to custom railing posts as they are able to withstand the impact of wear and tear and harsh weather environments.



Round Handrail Support with Movable Saddle

Can Be Used In Exterior Setting Or Interior Setting
 Construction Material: 316 Grade Stainless Steel
 Compatible With: All FMF 42.4mm Round Railing Posts
 Function: To Secure Handrail To Railing Post Secured To Railing Post With Adhesive Glue Interchangeable Saddles (For Square & Round Handrails)
 Adjustable Up To 90°



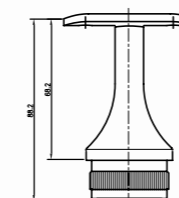
Model No.	Finish
RRAIL-SP02.SS	Brushed Stainless
RRAIL-SP02.BL	Matte Black

These round handrail supports are equipped with a round saddle. They enhance the look of railing posts in the interior and exterior locations of any property, commercial or residential.



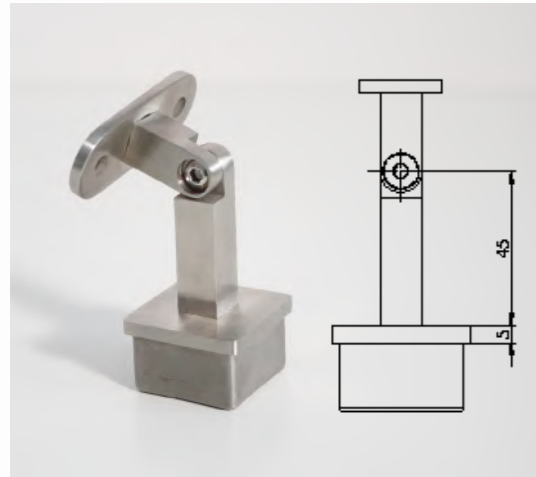
Round Handrail Support with Fixed Saddle

Can Be Used In Exterior Setting Or Interior Setting
 Construction Material: 316 Grade Stainless Steel
 Compatible With: All FMF 42.4mm Round Railing Posts
 Function: To Secure Handrail To Railing Post Secured To Railing Post With Adhesive Glue Interchangeable Saddles (For Square & Round Handrails)



Model No.	Finish
RRAIL-SP01.SS	Brushed Stainless
RRAIL-SP01.BL	Matte Black

Made of Stainless Steel, they provide durability, resistance to corrosion and support for a long time. They are compatible with all FMF round railing posts and they efficiently secure handrails to railing posts.



Adjustable Square Handrail Support

Can Be Used In Exterior Setting Or Interior Setting
 Construction Material: 316 Grade Stainless Steel
 Compatible With: All FMF 40x40mm Square Railing Posts
 Function: To Secure Handrail To Railing Post
 Secured To Railing Post With Adhesive Glue
 Interchangeable Saddles (For Square & Round Handrails)
 Innovated Design, Adjustable Up To 90°

Model No.	Finish
SRAIL-SP03.SS	Brushed Stainless
SRAIL-SP03.BL	Matte Black

These flexible handrail supports are adjustable up to 90 degrees allowing your handrail system to be facing upwards or downwards.

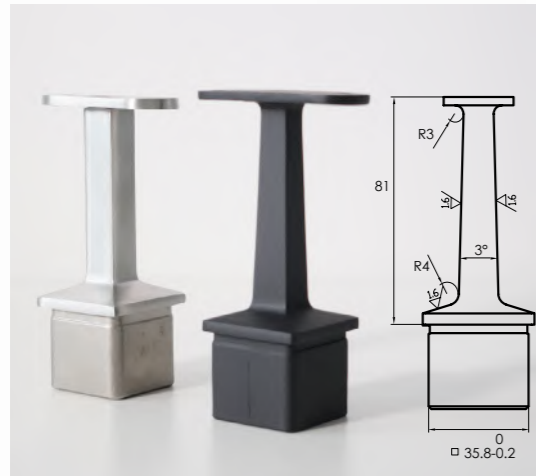


180° Handrail Saddles

Can Be Used In Exterior Setting Or Interior Setting
 Construction Material: 316 Grade Stainless Steel
 Function: Used To Secure Handrails

Model No.	Finish	Applicable for
180AP-424.SS	Brushed Stainless	Round Handrail
180AP-424.BL	Matte Black	Round Handrail
180AP-4040.SS	Brushed Stainless	Square Handrail
180AP-4040.BL	Matte Black	Square Handrail

FMF handrail saddles secure handrails on staircases, ramps, and railings. Available in multiple finishes and sizes, our square and round handrail saddles are the solutions for efficiently safeguarding your handrail brackets.



Square Handrail Support with Fixed Saddle

Can Be Used In Exterior Setting Or Interior Setting
 Construction Material: 316 Grade Stainless Steel
 Compatible With: All FMF 40x40mm Square Railing Posts
 Function: To Secure Handrail To Railing Post
 Secured To Railing Post With Adhesive Glue
 Interchangeable Saddles (For Square & Round Handrails)

Model No.	Finish
SRAIL-SP01.SS	Brushed Stainless
SRAIL-SP01.BL	Matte Black

The square profile of the supports gives a sharp and neat appearance to the handrails. We carry two popular finishes to enhance the theme of your railing systems.

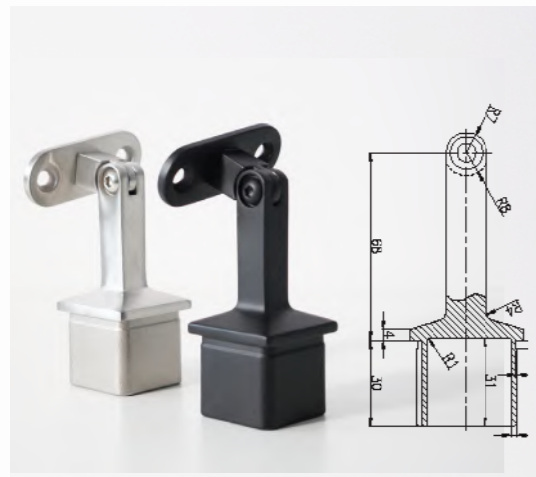


90° Square Handrail Saddles

Can Be Used In Exterior Setting Or Interior Setting
 Construction Material: 316 Grade Stainless Steel
 Function: Used To Secure Handrails
 Applicable for: 40x40 MM Square Handrail
 Flat Shape

Model No.	Finish
90AP-4040.SS	Brushed Stainless
90AP-4040.BL	Matte Black

Our saddles are capable enough to handle the pressure that comes on a railing system. Our 90° square saddles are flat in shape and are applicable for square and round handrails of varied sizes. FMF handrail saddles do their job perfectly by securing handrails with maximum strength.



Square Handrail Support with Movable Saddle

Can Be Used In Exterior Setting Or Interior Setting
 Construction Material: 316 Grade Stainless Steel
 Compatible With: All FMF 40x40mm Square Railing Posts
 Function: To Secure Handrail To Railing Post
 Secured To Railing Post With Adhesive Glue
 Interchangeable Saddles (For Square & Round Handrails)
 Adjustable Up To 90°

Model No.	Finish
SRAIL-SP02.SS	Brushed Stainless
SRAIL-SP02.BL	Matte Black

They add elegance to the look of handrail systems. They are perfect for residential and commercial projects, accommodating your installation requirements.



90° Round Handrail Saddles

Can Be Used In Exterior Setting Or Interior Setting
 Construction Material: 316 Grade Stainless Steel
 Function: Used To Secure Handrails
 Applicable for: 40x40 MM Square Handrail
 Curved Shape

Model No.	Finish
90AP-424.SS	Brushed Stainless
90AP-424.BL	Matte Black

Our handrail saddles reflect modern design and sophisticated appeal to your overall renovation project with two impressive finishes - Stainless Steel and Matte Black. Shop from FMF to get the right products for your residential or commercial spaces.

Glass Railing Clamps



With great attention to detail, our railing clamps are designed in a variety of finishes, in matte black and brushed stainless! Our creative touch makes us the preferred hardware product supplier in the GTA. Our railing clamps help secure the railing posts and offer optimum support to the glass.

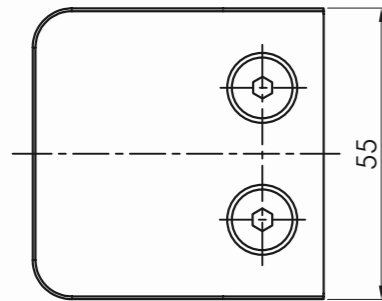
We provide only the highest quality railing clamps in different sizes and styles, such as round or square, to suit the various demands of our clients. The railing clamps come with screws and PVC gaskets for quick installation. They are perfect for indoor and outdoor use.



55mm Glass Railing Clamp

Construction Material: 304 Grade Stainless Steel
 Function: Used To Secure Glass Panels For Railings
 Accessories: Screws, PVC Gaskets
 Size: 55mm x 55mm x 30mm
 Cut-Out Required: Cutout For Pin (Optional)
 Square Railing Clamp, Glass-to-wall, Flat Base

Model No.	Finish
RCS-04.SS	Brushed Stainless
RCS-04.BL	Matte Black



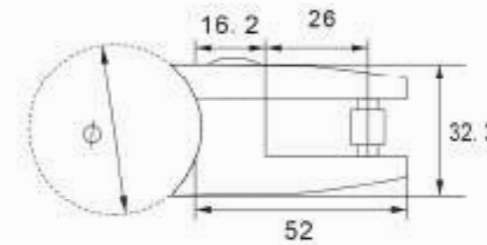
Its sleek and modern design is suitable for all types of railings, giving a clear view from the balconies and other areas. It ensures clear visibility with a finished look when installed at the ends of a base shoe. It is a perfect choice when it comes to durability and rust-proof.



52mm Glass Railing Clamp- Round Base

Construction Material: 316 / 304 Grade Stainless Steel
 Function: Used To Secure Glass Panels For Railings
 Accessories: Screws, PVC Gaskets
 Size: 52mm x 52mm x 32mm
 Cut-Out Required: Cutout For Pin (Optional)
 Square Railing Clamp, Glass-to-wall

Model No.	Finish
RCS-05.SS	Brushed Stainless
RCS-05.BL	Matte Black



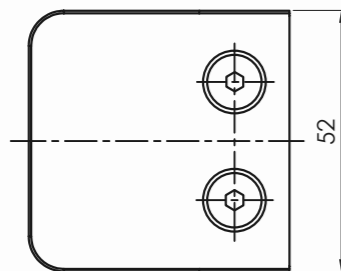
These 50mm Glass Railing Clamps have bevelled edges, offering a sleek and sharp look to the railing systems. These glass-to-wall railing brackets are perfect to secure glass panels to a wall. Made of Stainless Steel, they are durable and corrosion resistant.



52mm Zinc Railing Clamp

Construction Material: Zinc Alloy
 Function: Used To Secure Glass Panels For Railings
 Accessories: Screws, PVC Gaskets
 Size: 52mm x 52mm x 32mm
 Cut-Out Required: Cutout For Pin (Optional)
 Square Railing Clamp, Glass-to-wall, Flat Base

Model No.	Finish
RCS-06.SS	Brushed Stainless
RCS-06.BL	Matte Black



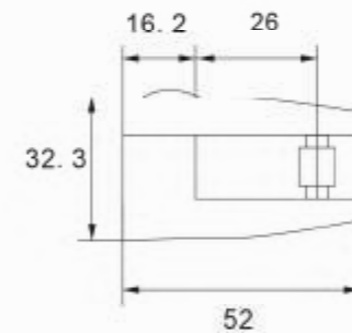
Being best for achieving a transparent look for glass railing systems, our square forms are perfect for a sharp and neat look to the railing systems installed on staircases, balconies, swimming pool fences, etc. They uplift the appearance of railing systems in all interior and exterior spaces, residential and commercial buildings and even in public spaces. Choose our railing clamps for a streamlined effect and a clutter-free look.



52mm Glass Railing Clamp- Flat Base

Construction Material: 316 / 304 Grade Stainless Steel
 Function: Used To Secure Glass Panels For Railings
 Accessories: Screws, PVC Gaskets
 Size: 52mm x 52mm x 32mm
 Cut-Out Required: Cutout For Pin (Optional)
 Square Railing Clamp, Glass-to-wall

Model No.	Finish
RCS-02.SS	Brushed Stainless
RCS-02.BL	Matte Black



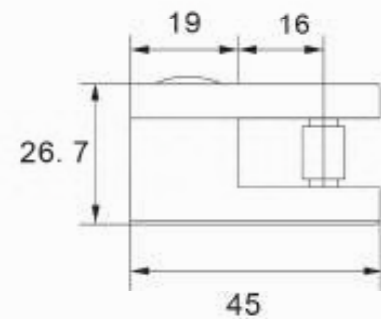
They are perfect to install in interior and exterior spaces such as balconies, porches, patios, etc. They uplift the look of the railing systems installed in commercial as well as residential properties and transform the overall design theme of the area.



45mm Glass Railing Clamp

Construction Material: 316/ 304 Grade Stainless Steel
 Function: Used To Secure Glass Panels For Railings
 Accessories: Screws, PVC Gaskets
 Size: 45mm x 45mm x 30mm
 Cut-Out Required: Cutout For Pin (Optional)
 Square Railing Clamp, Glass-to-wall, Flat Base

Model No.	Finish
RCS-01.SS	Brushed Stainless
RCS-01.BL	Matte Black



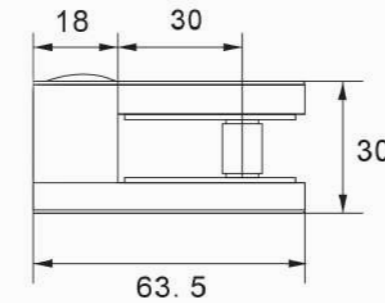
These glass-to-wall clamps are strong, durable, and resistant to corrosion. Their construction in Stainless Steel ensures high-quality standards. They are suitable for interior and exterior spaces of all properties. Our hardware solutions combine quality and modernity.



Round Glass Railing Clamp- Flat Base

Construction Material: 316 Grade Stainless Steel
 Function: Used To Secure Glass Panels For Railings
 Accessories: Screws, PVC Gaskets
 Size: 44mm x 68mm x 30mm
 Cut-Out Required: Cutout For Pin (Optional)
 Round Railing Clamp, Glass-to-wall

Model No.	Finish
RCR-02.SS	Brushed Stainless
RCR-02.BL	Matte Black



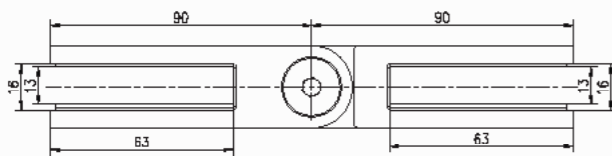
FMF Round Glass Railing Clamps are made of Stainless Steel. Therefore, they are durable and sturdy, rustproof, waterproof and heat-resistant. They cannot be damaged easily. They are easy to install and perfectly secure glass panels to walls or posts.



Adjustable Glass-to-Glass Railing Bracket

Construction Material: 316/ 304 Grade Stainless Steel
 Function: Used To Secure Glass Panels For Railings
 Accessories: Screws, PVC Gaskets
 90°-180° Adjustable Square Glass To Glass Clamp
 Cut-Out Required: No Cutout Required
 Slim Junior Style

Model No.	Finish
RCG-360.SS	Brushed Stainless
RCG-360.BL	Matte Black



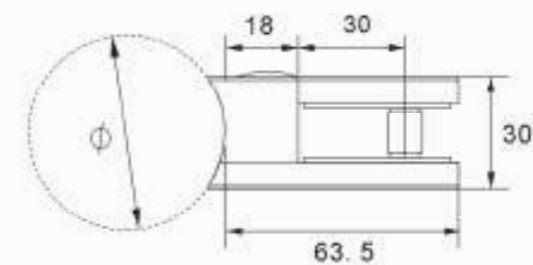
Our adjustable glass-to-glass clamps are designed to join two glass panels that intersect at 90 and 180 degrees. Used for glass panels for railings, these clamps ensure a frameless appearance and provide a neat design. We carry two attractive finishes for these clamps to match your design requirements.



Round Glass Railing Clamp- Round Base

Construction Material: 316 Grade Stainless Steel
 Function: Used To Secure Glass Panels For Railings
 Accessories: Screws, PVC Gaskets
 Size: 44mm x 68mm x 30mm
 Cut-Out Required: Cutout For Pin (Optional)
 Round Railing Clamp, Glass-to-wall

Model No.	Finish
RCR-01.SS	Brushed Stainless
RCR-01.BL	Matte Black



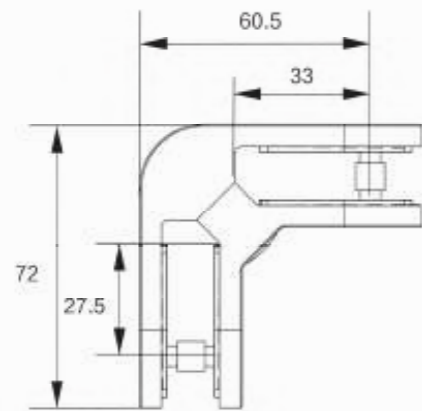
Their round and flat bases give a modern and sophisticated touch to the overall design of the railing system. They are perfect for interior and exterior installations at residential and commercial properties. We carry two bases – flat and round to match your design needs.



90° Senior Glass-to-Glass Railing Bracket

Construction Material: 316 Grade Stainless Steel
 Function: Used To Secure Glass Panels For Railings
 Accessories: Screws, PVC Gaskets
 Cut-Out Required: Cutout For Pin (Optional)
 Secure Railing Panels At A 90° Angle, Senior Style

Model No.	Finish
RCG-S90.SS	Brushed Stainless
RCG-S90.BL	Matte Black



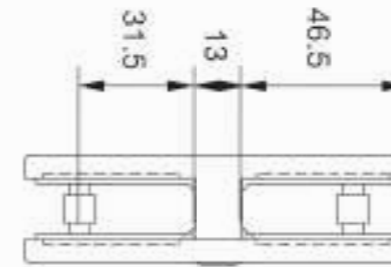
These 90° Senior Glass-to-Glass Railing Brackets by FMF are one of the preferred choices of builders and architects because of their square shape and clean appearance. The design gives a sleek and sharp look to the overall theme of the installation.



180° Round Glass-to-Glass Railing Bracket

Construction Material: 316 Grade Stainless Steel
 Function: Used To Secure Glass Panels For Railings
 Accessories: Screws, PVC Gaskets
 Cut-Out Required: Cutout For Pin (Optional)
 Secure Railing Panels At A 180° Angle, Senior Style

Model No.	Finish
RCG-R180.SS	Brushed Stainless
RCG-R180.BL	Matte Black



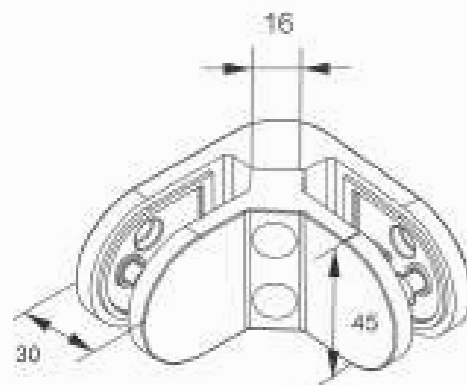
Their construction in Stainless Steel provides durability and strength to support the glass panels. Designed to secure railing panels at a 180-degree angle, these round-shaped brackets offer a modern design with a simplistic approach. They are suitable to use in interior and exterior spaces of commercial and residential projects.



90° Round Glass-to-Glass Railing Bracket

Construction Material: 316 Grade Stainless Steel
 Function: Used To Secure Glass Panels For Railings
 Accessories: Screws, PVC Gaskets
 Cut-Out Required: Cutout For Pin (Optional)
 Secure Railing Panels At A 90° Angle, Senior Style

Model No.	Finish
RCG-R90.SS	Brushed Stainless



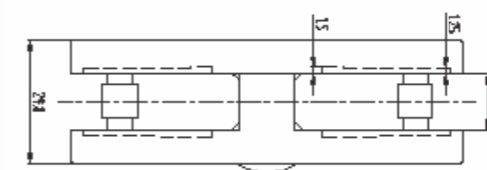
They are perfect to use in interior and exterior settings of residential and commercial spaces such as staircases, balconies, porches, fences, etc. Our clamps are one of the popular choices of our clients for their modern and sophisticated design themes.



180° Senior Glass-to-Glass Railing Bracket

Construction Material: 316 Grade Stainless Steel
 Function: Used To Secure Glass Panels For Railings
 Accessories: Screws, PVC Gaskets
 Cut-Out Required: Cutout For Pin (Optional)
 Secure Railing Panels At A 180° Angle, Senior Style

Model No.	Finish
RCG-S180.SS	Brushed Stainless
RCG-S180.BL	Matte Black



Our 180° Senior Glass-to-Glass Railing Brackets are perfect for the installation of glass railing systems as they are made of Stainless Steel. They perfectly secure railing panels at a 180-degree angle giving an unobstructed appearance to the glass panels.

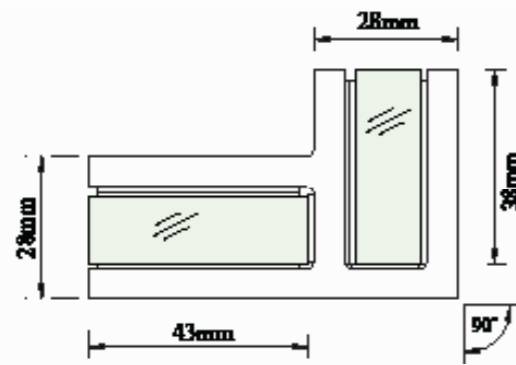


90° Glass-to-Glass Railing Bracket

Construction Material: 316 Grade Stainless Steel
 Function: Used To Secure Glass Panels For Railings
 Accessories: Screws, PVC Gaskets
 Cut-Out Required: No Cutout Required
 Secures Railing Panels At A 90° Angle, Slim Junior Style

Model No.	Finish	Type
RCG-90G.SS	Brushed Stainless	Small
RCG-90G.BL	Matte Black	Small
RCG-90GL.SS	Brushed Stainless	Large
RCG-90GL.BL	Matte Black	Large
RCG-90GL.SB	Satin Brass	Large

Our 90° Glass-to-Glass Railing Brackets support the glass railing installations. They are strong and sturdy as they are made of Stainless Steel. Perfect for indoor and outdoor use, these clamps uplift the installation of glass deck railing, swimming pool rails, etc.

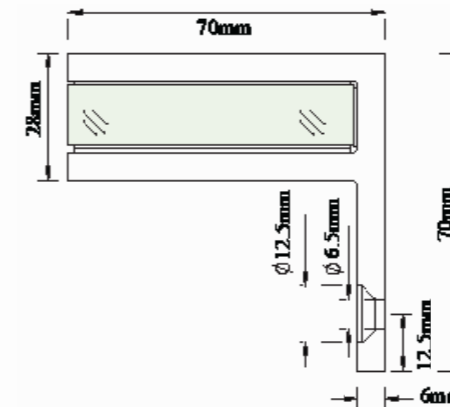


Offset Wall-to-Glass Railing Bracket

Construction Material: 316 Grade Stainless Steel
 Function: Used To Secure Glass Panels For Railings
 Accessories: Screws, PVC Gaskets
 Cut-Out Required: No Cutout Required
 1 Hole For Wall Mounting Screw, Slim Junior Style

Model No.	Finish	Type
RCG-90W.SS	Brushed Stainless	Small
RCG-90W.BL	Matte Black	Small
RCG-90WL.SS	Brushed Stainless	Large
RCG-90WL.BL	Matte Black	Large
RCG-90WL.SB	Satin Brass	Large

FMF Offset Wall-to-Glass Railing Brackets are available in L-shape which ensures adjustment of the glass panels closer to the wall. They are ideal for indoor and outdoor environments as they can withstand the impact of harsh environments. The slim junior-style clamps give an unobstructed and clear view of the glass railings.

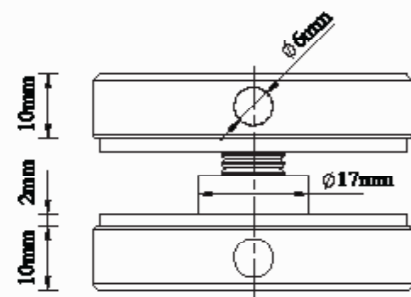


50mm Ø Glass Railing Bracket

Construction Material: 316 Grade Stainless Steel
 Function: Used To Secure Glass Panels For Railings
 Accessories: Screws, PVC Gaskets
 Cut-Out Required: No Cutout Required
 Secures Inline Railing Panels, 2" Diameter

Model No.	Finish
RCG-R50.SS	Brushed Stainless

FMF 50mm Glass Railing Brackets are round-shaped offering elegant design and sophisticated appeal to the overall theme of the project. They are used to secure inline railing panels. Made of Stainless Steel, these brackets are durable and sturdy to sustain wet and dry environments.

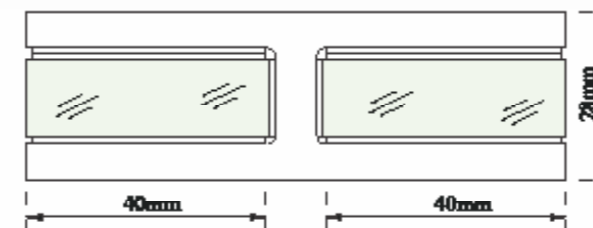


180° Glass-to-Glass Railing Bracket

Construction Material: 316 Grade Stainless Steel
 Function: Used To Secure Glass Panels For Railings
 Accessories: Screws, PVC Gaskets
 Cut-Out Required: No Cutout Required
 Secures Railing Panels At A 180° Angle, Slim Junior Style

Model No.	Finish	Type
RCG-180.SS	Brushed Stainless	Small
RCG-180.BL	Matte Black	Small
RCG-180L.SS	Brushed Stainless	Large
RCG-180L.BL	Matte Black	Large
RCG-180L.SB	Satin Brass	Large

These are easy to install and provide extra safety to frameless glass railings. Their modern design is an excellent choice for contemporary frameless glass installation projects such as railing systems at swimming pools, staircases, gardens, etc. They are perfect for indoor and outdoor uses.



Variety of Spigots for Glass Railing Application



FMF spigots offer durability, strength, and security to hold glass railings perfectly. They are easy to install, manufactured with premium quality standards and are engineered to comply with the National Building Code of Canada. Our spigots can be adjusted from the base. They allow the glass to be held in such a way that allows maximum visibility while adding a touch of elegance with round and square styles. These are fit for 10-12mm tempered glass and come with a 3-year limited warranty.

Our products reflect modern luxury, design, and safety. They are constructed to meet Canadian design standards. Customize your railing systems for interior and exterior applications with our hardware products designed to specifically meet customers' requirements.



Round Spigot

Construction Material: 2205 Grade Stainless Steel
 Function: To Hold Tempered Glass Railing Panels In Fixed Position
 Accessories: Black Gasket, Cover Plate, Adjustable Base Plate (Allows For Glass To Be Tilted 2° Backward Or Forward)
 Suitable For Interior & Exterior Use

Model No.	Finish
SPI-6SR.SS	Brushed Stainless
SPI-6SR.BL	Matte Black

Round Spigots by FMF come with an adjustable base plate that enables the glass to be tilted 2° backward or forward. They are suitable for any indoor or outdoor railing applications. We include a cover plate in our round spigots. We manufacture round spigots that are engineered to comply with the National Building Code of



Square Spigot

Construction Material: 2205 Grade Stainless Steel
 Function: To Hold Tempered Glass Railing Panels In Fixed Position
 Accessories: Black Gasket, Cover Plate, Adjustable Base Plate (Allows For Glass To Be Tilted 2° Backward Or Forward)
 Suitable For Interior & Exterior Use

Model No.	Height	Finish
SPI-6SA.SS	6"	Brushed Stainless
SPI-6SA.BL	6"	Matte Black
SPI-6SA.SB	6"	Satin Brass
SPI-8SA.SS	8"	Brushed Stainless
SPI-8SA.BL	8"	Matte Black

Square Spigots by FMF are one of the most popular railing solutions. These square spigots are used to hold tempered glass railing panels in a secured position, giving a clear appearance of the glass.



Adjustable Smart Spigot

The Smarter Spigot is a premium side-mount solution for frameless glass balustrades and pool fencing. Made from 2205-grade stainless steel, it supports 10–12mm glass and is ideal for balconies, staircases, decks, and terrace walls.

Model No.	Height	Finish
SPI-4SA.BL	4"	Matte Black
SPI-4SA.SS	4"	Brushed Stainless

The Smarter Spigot is a premium side-mount solution for frameless glass balustrades and pool fencing. Made from 2205-grade stainless steel, it supports 10–12mm glass and is ideal for balconies, staircases, decks, and terrace walls.

What sets it apart is the patented tilt adjustment technology, allowing for fast, precise leveling—even on uneven surfaces—without removing the glass. No shims or packers needed. Installation is simple, with no drilling into the glass required.



Spigot Gasket

Spigot Gasket applicable for SPI-6SA Hard PVC -Black

Model No.	Height	Finish
SPI-G06.BL	6"	Matte Black
SPI-G08.BL	8"	Matte Black

This hard PVC gasket is designed for use with 6" spigots, providing a secure, tight seal to maintain the stability of your glass railing system. The black gasket prevents gaps and movement between the spigot and surrounding components, ensuring reliable, long-lasting performance in both indoor and outdoor installations.



Square Edge Mount Spigot

Construction Material: 2205 Grade Stainless Steel
 Function: To Hold Tempered Glass Railing Panels In Fixed Position
 Accessories: Black Gasket, Cover Plate, Adjustable Base Plate
 Suitable For Interior & Exterior Use
 6" Height

Model No.	Finish
SPI-6SE.SS	Brushed Stainless
SPI-6SE.BL	Matte Black

They are edge-mounted and their sleek look do not compromise the neat appearance to the glass railings. They are manufactured with attention to detail & effectively hold the tempered glass railing panels in a fixed position.



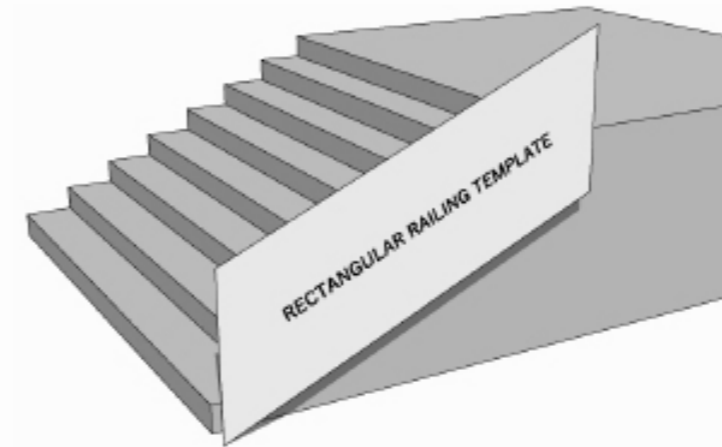
Square Spigot Base Cover

Can Be Used In Exterior Setting Or Interior Setting
 Construction Material: 2205 Grade Stainless Steel
 Function: Used as Cover Plate For FMF Spigot
 Applicable for: FMF Spigots Models SPI-6SA & SPI-8SA
 Size: 4"x4"

Model No.	Finish
SPI-COV.SS	Brushed Stainless
SPI-COV.BL	Matte Black

This base cover is not only durable but also adds a touch of sophistication to your railing. With a convenient 4"x4" size, it seamlessly fits over the spigot base, providing a polished and finished appearance to your glass railing installation.

The Mini-Posts & Railing Templates



4X8 Corrugated Plastic Template Sheet

Construction Material: Polypropylene
Corrugated Plastic
Size: 4ft x 8ft
Thickness: 4mm
Color: White

Model No.

48TEMP-WH

Simplify your glass railing installation process with our Plastic Railing Template Sheet. This innovative tool is designed to make measuring and planning your glass railing system a breeze. Crafted with precision and ease of use in mind, this template sheet ensures accurate placement and spacing of your glass panels, helping you achieve a professional and visually appealing result.



Solid Mini Post with 38mm Standoff Attached

Construction Material: 2205 Grade Stainless Steel
Surface Mount Mini Post
Suitable For Interior & Exterior Use
12" Height From Base
Includes: Mini Post, Cover Plate

Model No.

Finish

SPI-6MI.SS	Brushed Stainless
SPI-6MI.BL	Matte Black

While glass fabrication is required for a precise fit, the 12-inch height from the base allows for a secure and elevated glass display. Each purchase includes the mini post and a cover plate, ensuring a polished and finished look. We back the quality of this product with a limited 1-year warranty, and for your convenience, we offer hassle-free shipping.

Handrail Brackets

Our beautiful handrail brackets combine durability, strength and an attractive look. Our handrails not only look incredible but also provide impeccable performance. Our handrail brackets come with accessories to offer additional flexibility. FMF represents elegant and modern architectural hardware. You get to discover refined wall and glass-mounted handrail brackets. These are fit for 10-12mm tempered glass and come with a 3-year limited warranty.

We value details at FMF: Used In Exterior Setting or Interior Setting, Applicable For: Round, Square & Rectangular Handrails, Accessories: Top Round Swivel Can be Replaced with Flat Swivel (For Square Handrail), Warranty: Limited 1 Year Warranty, We believe our modern-inspired architectural hardware speaks for itself. These little things complete a stylish look for any architectural project. Our innovative and timeless details help you reimagine luxury.



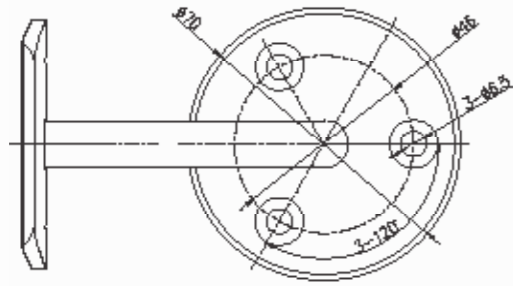


Standard Handrail Brackets - Fixed Saddle

Construction Material: 316 Grade Stainless Steel
 Function: Wall Mounted
 Applicable For: Round & Square Handrails
 Can Be Used In Exterior Setting Or Interior Setting
 Accessories: Top Round Swivel Can Be Replaced With Flat Swivel (For Square Handrail)
 3 Holes For Mounting Screws

Model No.	Finish
HRB-05W0.SS	Brushed Stainless
HRB-05W0.BL	Matte Black

Choose our Standard Handrail Brackets for smooth and easy installation of round handrails. Designed to support round handrails at stairways, porches, balconies, etc., our handrail brackets are equipped to transform your architectural applications.

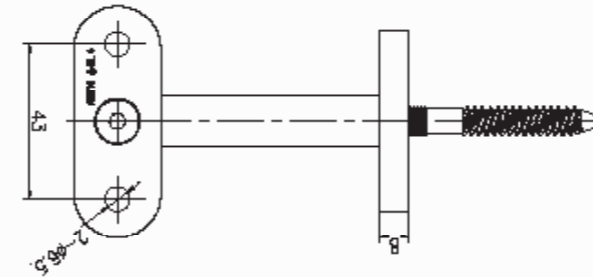


Round Handrail Brackets - Wall Mount, Fixed Saddle

Construction Material: 316 Grade Stainless Steel
 Function: Wall Mounted
 Applicable For: Round & Square Handrails
 Can Be Used In Exterior Setting Or Interior Setting
 Secured With FMF Hanger Bolt (Screwed to Stud)
 Accessories: Top Round Swivel Can Be Replaced With Flat Swivel (For Square Handrail)

Model No.	Finish
HRB-01W0.SS	Brushed Stainless
HRB-01W0.BL	Matte Black

FMF Round Handrail Brackets are available for mounting on walls as well as on glass. The top handrail support is sturdy and durable. Use our round handrail brackets for round or square profile handrails to enhance the look of the area.



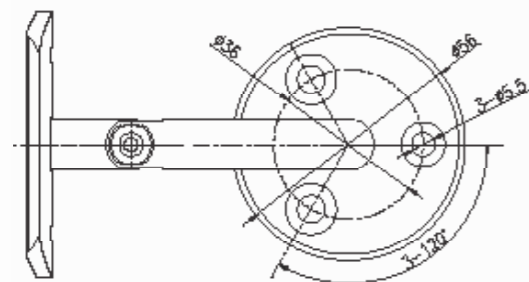
Standard Handrail Brackets - Movable Saddle



Construction Material: 316 Grade Stainless Steel
 Function: Wall Mounted
 Applicable For: Round & Square Handrails
 Can Be Used In Exterior Setting Or Interior Setting
 Accessories: Top Round Swivel Can Be Replaced With Flat Swivel (For Square Handrail)
 3 Holes For Mounting Screws

Model No.	Finish
HRB-05AW.SS	Brushed Stainless
HRB-05AW.BL	Matte Black

Available in two attractive finishes, our brackets are built to complement your design requirements. They are suitable to install in interior and exterior places of residential and commercial properties. Try our handrail brackets for round handrails; we'd love to see your railing transformation!

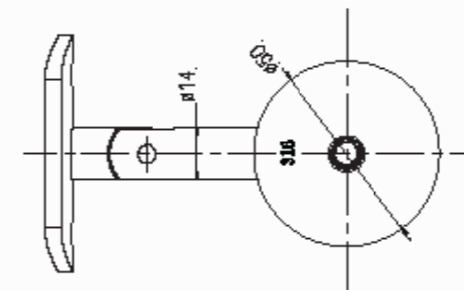


Round Handrail Brackets - Wall Mount, Movable Saddle

Construction Material: 316 Grade Stainless Steel
 Function: Wall Mounted
 Applicable For: Round & Square Handrails
 Can Be Used In Exterior Setting Or Interior Setting
 Secured With FMF Hanger Bolt (Screwed to Stud)
 Accessories: Top Round Swivel Can Be Replaced With Flat Swivel (For Square Handrail)

Model No.	Finish
HRB-01AW.SS	Brushed Stainless
HRB-01AW.BL	Matte Black

FMF Glass Hardware is the dependable choice for architectural railings in Toronto. Made of high quality Stainless Steel, our handrail brackets are suitable to use in interior and exterior places of residential and commercial properties where handrails are installed.

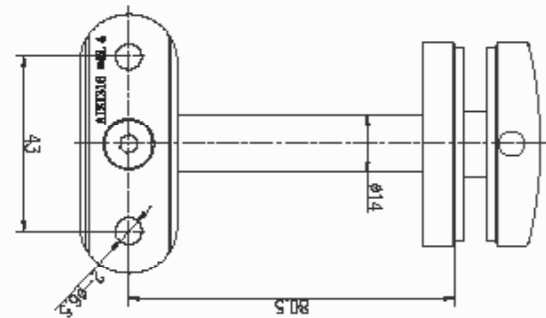




**Round Handrail Brackets-
Glass Mount, Fixed Saddle**

Construction Material: 316 Grade Stainless Steel
 Function: Glass Mounted
 Applicable For: Round & Square Handrails
 Can Be Used In Exterior Setting Or Interior Setting
 Accessories: Top Round Swivel Can Be Replaced
 With Flat Swivel (For Square Handrail)

Model No.	Finish
HRB-01G0.SS	Brushed Stainless
HRB-01G0.BL	Matte Black



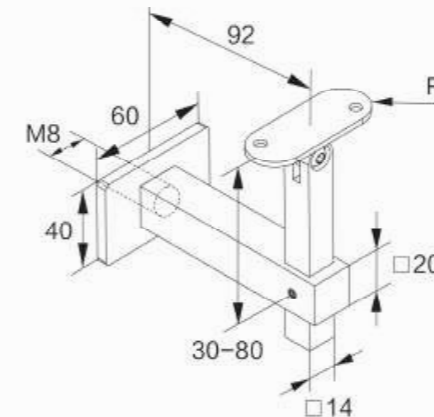
These offer a combination of strength and style, making them suitable for both residential and commercial applications. Whether used in staircases, balconies, or other architectural designs, these brackets provide a secure and visually appealing solution.



Square Adjustable Handrail Brackets

Construction Material: 316 Grade Stainless Steel
 Applicable For: Round & Square Handrails
 Can Be Used In Exterior Setting Or Interior Setting
 Accessories: Top Flat Swivel Can Be Replaced
 With Curved Swivel (For Round Handrail)

Model No.	Finish	Function
HRB-03AW.SS	Brushed Stainless	Wall Mount
HRB-03AG.SS	Brushed Stainless	Glass Mount
HRB-03AW.BL	Matte Black	Wall Mount
HRB-03AG.BL	Matte Black	Glass Mount



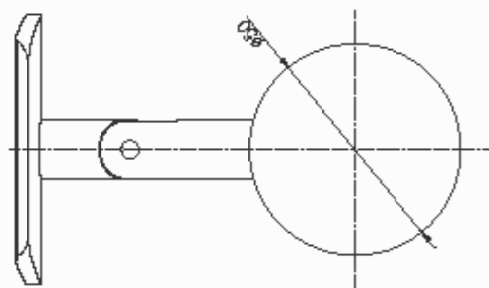
The sharp lines and corners of the square handrail brackets are able to transform your designs with cleaner and modern-looking components. To create a completely unique look, use our handrail brackets for square handrails installation. FMF Glass Hardware is committed to offering a selection of quality railing hardware components for the smooth completion of architectural projects.



**Round Handrail Brackets-
Glass Mount, Movable Saddle**

Construction Material: 316 Grade Stainless Steel
 Function: Glass Mounted
 Applicable For: Round & Square Handrails
 Can Be Used In Exterior Setting Or Interior Setting
 Accessories: Top Round Swivel Can Be Replaced
 With Flat Swivel (For Square Handrail)

Model No.	Finish
HRB-01AG.SS	Brushed Stainless
HRB-01AG.BL	Matte Black



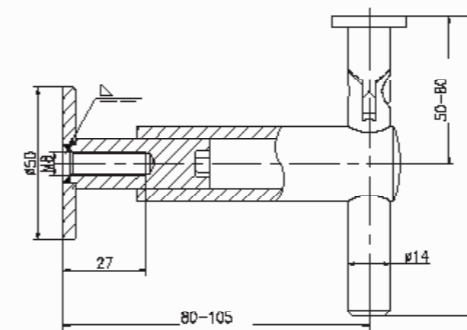
These glass mount brackets are saddle adjustable, easy to install, making your installation process hassle-free. Their versatile design allows them to be used for both 10-12mm glass thicknesses, accommodating your specific project requirements.



Extendable Wall Mount Handrail Bracket

Construction Material: 316 Grade Stainless Steel
 Function: Wall Mounted
 Applicable For: Round & Square Handrails
 Can Be Used In Exterior Setting Or Interior Setting
 Secured With FMF Hanger Bolt (Screwed to Stud)
 Accessories: Top Round Swivel Can Be Replaced
 With Flat Swivel (For Square Handrail)

Model No.	Finish
HRB-04AW.SS	Brushed Stainless
HRB-04AW.BL	Matte Black



You can extend these brackets from the wall up to 1". The adjustable saddle allows the handrails to achieve the desired angle. These brackets can be secured with FMF hanger bolts. They are one of the most popular handrail brackets of FMF and are designed to meet industry standards and safety code compliance.



6" Flat Saddle Glass Mount Adjustable Handrail Brackets

Check out FMF 6" Flat Saddle Glass Mount Adjustable Handrail Brackets for adjusting the height of handrails on staircases. It is perfect for installation on stairs, porches, balconies, corridors, etc. Our handrail brackets are well-designed and engineered to stay durable for a long time.

Model No.	Finish
HRB-06G0.SS	Brushed Stainless
HRB-06G0.BL	Matte Black

Handrail Brackets



HRB-06G0.BL

6" Flat Saddle Glass Mount Adjustable Handrail Brackets

Check out FMF Adjustable Handrail Brackets for adjusting the height of handrails on staircases. It is perfect for installation on stairs, porches, balconies, corridors, etc. Our handrail brackets are well-designed and engineered to stay durable for a long time.

Model No.	Finish
HRB-06W0.SS	Brushed Stainless
HRB-06W0.BL	Matte Black



Square Wall Handrail Bracket Flat Saddle

The HRB-07 Handrail Brackets provide strong and reliable support for handrails on staircases, porches, balconies, corridors, and other inclined surfaces. Designed for durability and long-term use, these brackets can be securely mounted on both glass and walls, making them a versatile choice for various installations.

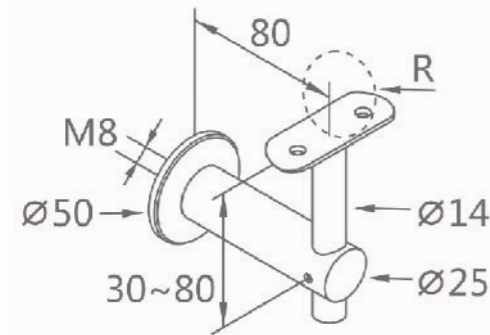
Model No.	Finish
HRB-07W.SS	Brushed Stainless
HRB-07W.BL	Matte Black



**Adjustable Handrail Brackets-
Wall Mount, Fixed Saddle**

Construction Material: 316 Grade Stainless Steel
 Function: Wall Mounted
 Applicable For: Round & Square Handrails
 Can Be Used In Exterior Setting Or Interior Setting
 Secured With FMF Hanger Bolt (Screwed to Stud)
 Accessories: Top Flat Swivel Can Be Replaced
 With Curved Swivel (For Round Handrail)

Model No.	Finish
HRB-02W0.SS	Brushed Stainless
HRB-02W0.BL	Matte Black



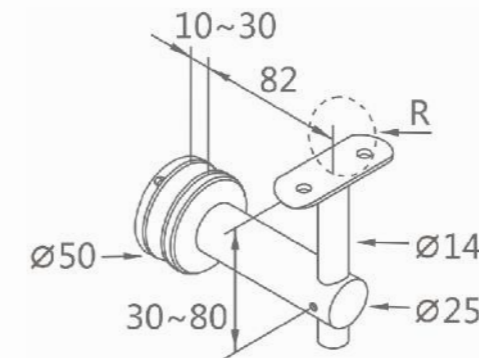
Check out FMF Adjustable Handrail Brackets for adjusting the height of handrails on staircases. It is perfect for installation on stairs, porches, balconies, corridors, etc. Our handrail brackets are well-designed and engineered to stay durable for a long time.



**Adjustable Handrail Brackets-
Glass Mount, Fixed Saddle**

Construction Material: 316 Grade Stainless Steel
 Function: Glass Mounted
 Applicable For: Round & Square Handrails
 Can Be Used In Exterior Setting Or Interior Setting
 Accessories: Top Flat Swivel Can Be Replaced
 With Curved Swivel (For Round Handrail)

Model No.	Finish
HRB-02G0.SS	Brushed Stainless
HRB-02G0.BL	Matte Black



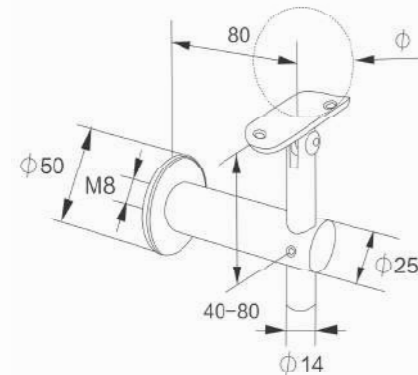
Made of premium quality Stainless Steel, it is sturdy to face the wrath of water and harsh weather conditions. The brackets can be used for indoor and outdoor areas. They are easy to install, and you can choose from two attractive finishes to suit your design needs.



**Adjustable Handrail Brackets-
Wall Mount, Movable Saddle**

Construction Material: 316 Grade Stainless Steel
 Function: Wall Mounted
 Applicable For: Round & Square Handrails
 Can Be Used In Exterior Setting Or Interior Setting
 Secured With FMF Hanger Bolt (Screwed to Stud)
 Accessories: Top Flat Swivel Can Be Replaced
 With Curved Swivel (For Round Handrail)

Model No.	Finish
HRB-02AW.SS	Brushed Stainless
HRB-02AW.BL	Matte Black



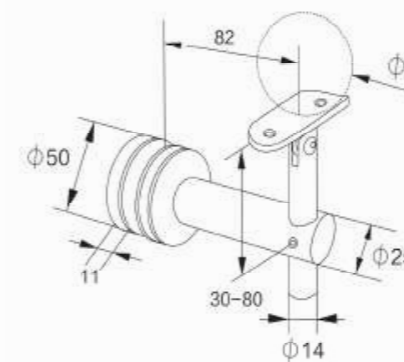
They are available to be mounted on glass and walls. The adjustable base can enable the bracket to be placed at different angles. The brackets are appropriate for inclinations, such as stairs and slopes.



**Adjustable Handrail Brackets-
Glass Mount, Movable Saddle**

Construction Material: 316 Grade Stainless Steel
 Function: Glass Mounted
 Applicable For: Round & Square Handrails
 Can Be Used In Exterior Setting Or Interior Setting
 Accessories: Top Flat Swivel Can Be Replaced
 With Curved Swivel (For Round Handrail)

Model No.	Finish
HRB-02AG.SS	Brushed Stainless
HRB-02AG.BL	Matte Black



These brackets offer the flexibility to adjust the position of the handrail, providing customized support and enhancing the overall functionality of your glass handrail installations. Crafted with precision and durability in mind, our Adjustable Handrail Brackets are made from high-quality materials to ensure long-lasting performance.

FMF

company made by professionals,
for professionals.

Mississauga

7205 Tranmere Drive, Unit 9,
Mississauga ON, L5S 1N4.

info@fmfglasshardware.com
905.819.6969

Woodbridge

7611 Pine Valley Drive,
Unit 8, Woodbridge ON, L4L 0A2.

info@fmfhardwaresolutions.com
416.775.9507

Concord

8161 Keele Street, Unit 2
Concord Ontario L4K 1Z3

info@fmfhardwaresupply.com
905.915.4649