

# GLAZING SUPPLIES



**FMF** | GLASS HARDWARE

Made by  
**Professionals,**  
for **Professionals**

[www.fmfglasshardware.com](http://www.fmfglasshardware.com)

# GLAZING TAPES



## 440 Black Tape

Construction Material: 100% Solid Polyisobutylene Cross Linked Butyl, Preformed Sealant  
 Applicable For: Mirrors & Multiple Uses  
 Function: To Secure Mirrors To Surface  
 Dimensions: 1/8" x 3/8" x 500'  
 Length: 500ft in Each Roll

Model No.	Finish
Tape-M440	Black

It is resistant against ultra-violet rays that can penetrate through the glass and is flexible even at low temperatures. They are ideal for projects like house construction, renovation, and commercial property construction.

## Double Sided Foam Tape

Construction Material: White Adhesive Vinyl Foam  
 Applicable For: Tempered Glass & Channels  
 Function: To Secure Channels  
 Dimensions: 1.6MM x 10MM x 61 Meters  
 Length: 216ft in Each Roll

Model No.	Finish
Tape-F660	Double-sided foam

Double-Sided Foam Tape by FMF is mainly used for securing channels. It is super strong and resistant, It is an excellent alternative for screws, bolts, welding & liquid adhesives. Our water-proof double sided tape helps to secure tempered glass and channels. It also has strong temperature resistance, is sticky & easy to tear.



## Clear Acrylic Hi-Bond Tape

Construction Material: Transparent Acrylic Hi-Bond Adhesive  
 Applicable For: Tempered Glass, Channels Seals/Wipes  
 Function: To Secure Channels, Seals/ Wipes To Tempered Glass (Double Sided)  
 Thickness: 1mm; Length: 33m  
 Length: 108ft in Each Roll

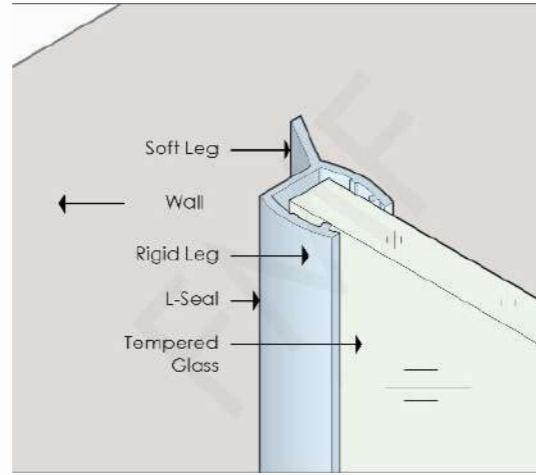
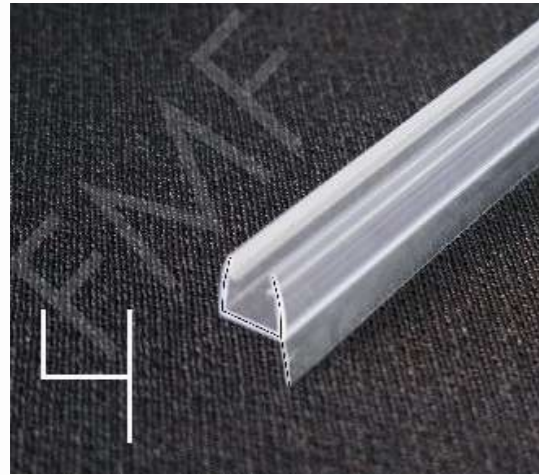
Model No.	Finish	Width
Tape-H550	Clear Acrylic	6mm
Tape-H551	Clear Acrylic	13mm

It helps in the fabrication of shower enclosures with instant pressure sensitive bonding. It is good for bonding clear materials such as glass doors. It resists moisture and solvents in indoor & outdoor areas. The double sided tape can elongate/ stretch & relax in heavy load, thus offering durability & performance.

# Seals & Wipes

Snapped along the bottom edge and side of the glass door, our complete range of seals and wipes is a subset of our innovative hardware solutions for shower doors. These are fit for 10-12mm tempered glass and come with a 1-year limited warranty.

Our mission is to provide excellent customer service through our premium quality products manufactured by experts. Our seals and wipes prove efficiency in preventing water leakage and are excellent for your shower door.

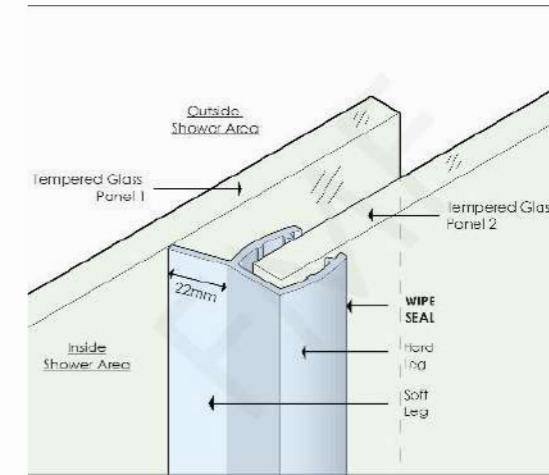
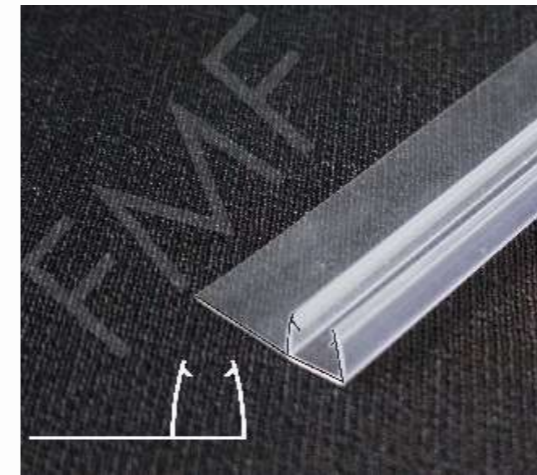


**L-Seal**

L-Style Shower Door Seal

**Applicable for:**  
10mm Glass  
**Length:** 98"  
**Construction Material:**  
PVC Plastic  
**Function:**  
Stops Door From Opening Beyond 180°

**Model No.**  
PTS-01.L

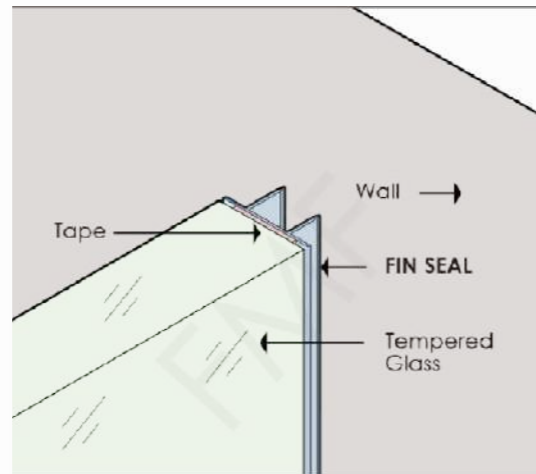
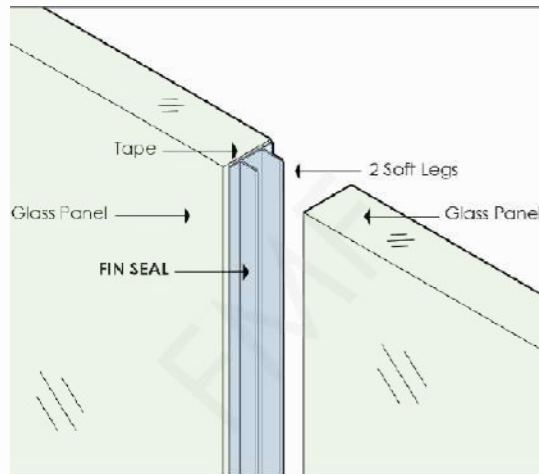


**Wipe Seal**

Glass Sliding Door Wipe

**Applicable for:**  
10mm Glass  
**Length:** 98"  
**Construction Material:**  
PVC Plastic

**Model No.**  
PTS-04.W

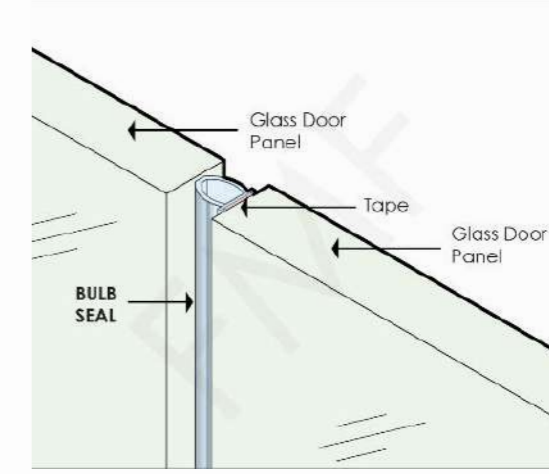


**Fin Seal**

Clear Fin Seal

**Applicable for:**  
10-12mm Glass  
**Length:** 98"  
**Construction Material:**  
PVC Plastic

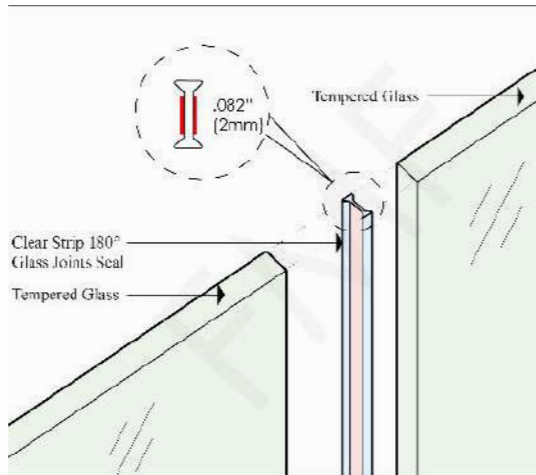
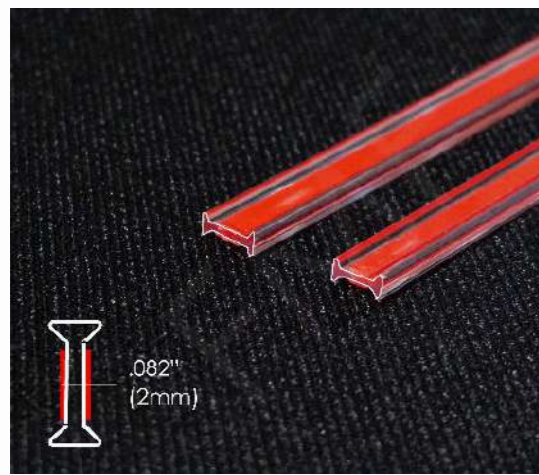
**Model No.**  
PTS-09.F



**Bulb Seal**

**Size:**  
6.5mmx7mm space  
**Applicable for:**  
10mm-12mm Glass  
**Length:** 98"  
**Construction Material:**  
PVC Plastic

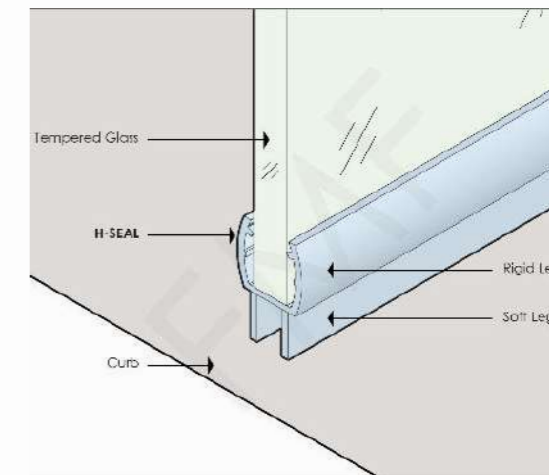
**Model No.**  
PTS-07.B



**Clear Strip 180° Glass Joints Seal**

Pre-Applied Clear Adhesive Tape  
**Length:** 120"  
**Construction Material:**  
PVC Plastic  
**Function:**  
Wrap Around Feature for Additional Glass Edge Protection, offers Easy Installation

<b>Model No.</b>	<b>Size</b>
PTS-08.J	8mm
PTS-10.J	10mm
PTS-12.J	12mm



**H-Seal**

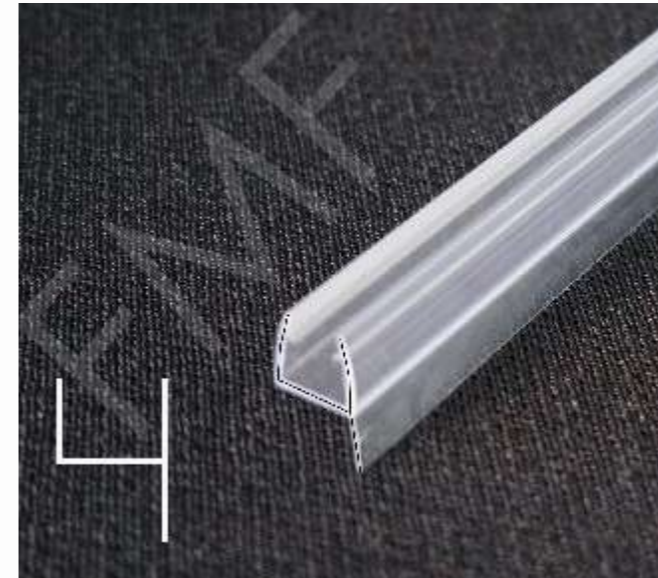
H-Style Shower Door Seal

**Applicable for:**  
10mm Glass  
**Length:** 98"  
**Construction Material:**  
PVC Plastic

**Model No.**  
PTS-02.H



PTS-14.S



**Clear L-Seal for Bypassing Shower Sliders**

Applicable for: 10mm Glass

Length: 98"

Construction Material: PVC Plastic

Function: used for bypassing shower sliders

**Model No.**

PTS-13.L

The 98" length ensures complete coverage, effectively sealing the gaps between the glass and preventing water leakage, making it an essential addition to any shower



**Bottom Door Seal for Bypassing Shower Sliders**

Applicable for: 10mm Glass

Length: 98"

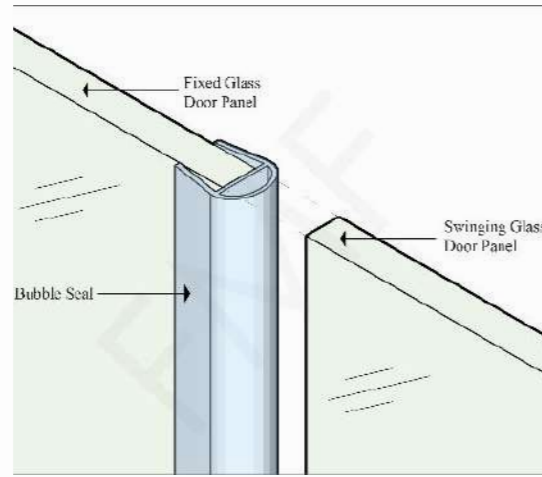
Construction Material: PVC Plastic

Function: used for bypassing shower sliders

**Model No.**

PTS-14.S

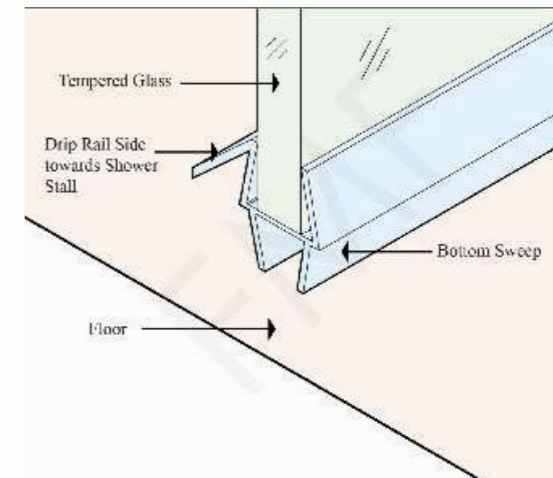
The 98" length ensures complete coverage, effectively sealing the gaps between the glass and preventing water leakage, making it an essential addition to any shower installation.



**Bubble Seal**

**Applicable for:**  
10mm Glass  
**Length:** 98"  
**Construction Material:**  
PVC Plastic  
**Function:**  
Mainly Used For Glass Sliding Doors

**Model No.**  
PTS-03.B

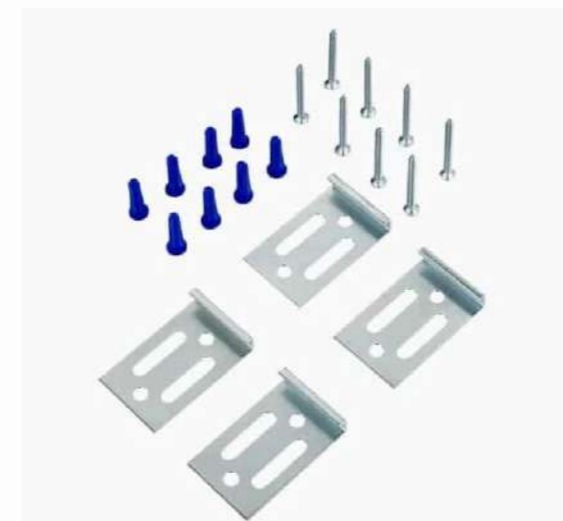
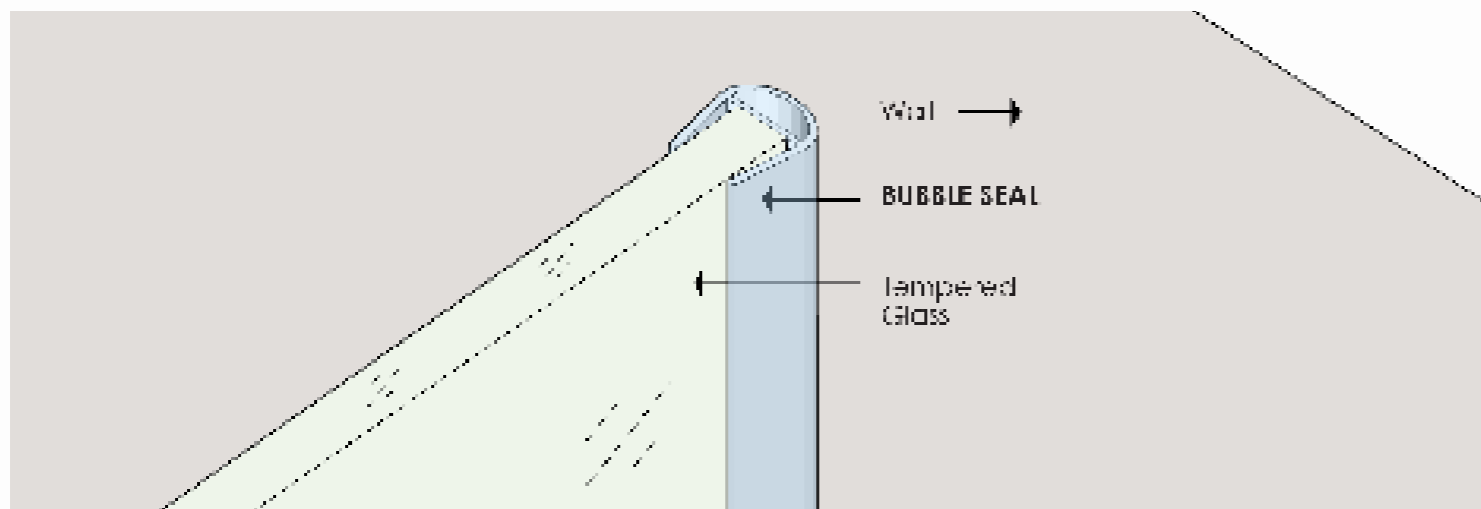


**Bottom Sweep**

Glass Shower Bottom Door Sweep

**Types:**  
Standard / Ultraclear  
**Length:** 98"  
**Construction Material:**  
PVC Plastic

Model No.	Size
PTS-05.S	10mm
PTS-06.S	10mm
PTS-12.S	12mm



**Zinc Plated Vancouver Clip**

Applicable: 5 to 6mm Mirror  
Material: Brushed Zinc  
Slotted to Permit Height Adjustment

**Model No.**  
MRC-05.BZ

# Installation Accessories

Get all essential bathroom installation accessories—setting blocks, foam tape, sealants, and more—from FMF Glass Hardware. Perfect for smooth, custom renovations.





**3/16 Yellow Plugs**

Drill Size: 3/16"  
4-8 x 7/8"  
Quantity: 1000pcs per box

Model No.	Finish
ANCHOR-1000	Yellow



**Set-In Blocks**

Plastic Setting Blocks (Shims)  
100 Pieces/ Package  
Applicable For: Glass & Mirrors  
Construction Material: Soft PVC Plastic  
Function: To Set Glass On Top Of

Model No.	Size
SSB-01	1/16" x 1/4" x 2"
SSB-02	1/8" x 1/4" x 2"
SSB-03	1/4" x 1/4" x 2"



**Silicone Tremsil 200**

Construction Material: Single-Component, Acetoxy Silicone  
Function: To Create a WaterTight Seal Between Glass & Surface  
Applicable For: Glass  
Ultra Clear Finish, 300ml Tube  
Produces A Watertight Seal To Glass  
Suitable For Bathrooms & Kitchens

Model No.	Colour
Silicone-720	Clear
Silicone-723	White
Silicone-724	Black



**Foaming Glass Cleaner**

Function: To Clean Glass Surfaces  
Applicable For: Glass  
Ammonia Free  
Heavy Duty Foam

Model No.	Size
GC-Sprayway	19 Oz can



**FMF Clear Neutral Glazing Silicone**

Construction Material: Single-Component, Acetoxy Silicone  
Function: To Create a WaterTight Seal Between Glass & Surface  
Applicable For: Glass  
Clear Finish, 300ml Tube  
Produces A Watertight Seal To Glass  
Suitable For Bathrooms & Kitchens

Model No.	Colour
Silicone-722	Clear



**Palmer Mirro Mastic**

No Damage On Mirror Silvering  
Applicable For: Mirrors  
Function: To Secure Mirrors Onto Surfaces

Model No.	Type	Size
Mastic-1Gal	Regular Set	1 Gallon
Mastic-11.RS	Regular Set	11 Oz
Mastic-11.QS	Quick Set	11 Oz



**Waterproof Black Spray Paint**

Lead Free & Weather Resistant  
 Color: Matte Black  
 Not Epoxy Based  
 Matches With FMF Matte Black Finish  
 Size: 11 Oz (311 Grams)

**Model No.**  
 BP-SPRAY

This spray paint is the ideal choice for adding a touch of sophistication to your glass hardware and fixtures. Unlike epoxy-based alternatives, our spray paint delivers a smooth and even coating, ensuring a seamless and professional appearance.

New Product



**Glazing Gloves**

Glazing Gloves – Latex Crinkle Coated, Black, Size L (5 Pairs per Bag)

Model No.	Size
GLV-01	LL
GLV-02	XL

- Color: Black
- Size Available: Large (L) & Extra Large (XL)
- Quantity: 5 pairs per bag
- Application: Ideal for glass glazing, tile installation, bathroom applications, and general construction work
- Features: Slip-resistant, abrasion-resistant, breathable, and comfortable for extended wear



**Heavy Duty Glass Tile Suction Cup**

**Compatible with:** Glass / Tile/ Laminate  
**Construction Material:** Aluminum  
**Function:** To Assist With handling and lifting smooth-surface materials like glass, marble & granite.  
**2 Cups with Rubber Pads:** 130mm Diameter each  
**Lifting Capacity:** 100kg

**Application:**

Press the suction lifter firmly against the glass surface. The air from the hollow space between the glass and the rubber cups escapes and the result is a vacuum.

The stronger you press the suction lifter against the glass, the more air will escape and the load capacity will be higher.



**Modern Glass Hook**

Glass-Mounted Robe Hook  
 Applicable For: 6-10mm Tempered Glass  
 Construction Material: Solid Brass  
 Cut Out Required: 10 mm Hole  
 Function: To Secure Robe Hook To Glass

Model No.	Finish
HOK-08.BL	Matte Black
HOK-08.CH	Chrome
HOK-08.SB	Satin Brass

Buy FMF's Solid Brass Modern Glass Hook to hang robes or towels in the bathroom. This robe hook can be mounted directly on a glass panel. Perfect for compact spaces in a bathroom, these hooks can be used inside the shower area or outside the shower door.



**Glass Hook**

Glass-Mounted Robe Hook  
 Applicable For: 6-10mm Tempered Glass  
 Construction Material: Solid Brass  
 Cut Out Required: 10 mm Hole  
 Function: To Secure Robe Hook To Glass

Model No.	Finish
HOK-09.BN	Brushed Nickel
HOK-09.BL	Matte Black
HOK-09.CH	Chrome
HOK-09.SB	Satin Brass

The innovative design and modern style are appealing for sophisticated bathroom décor. The premium quality glass door hooks are easy to install. FMF shower door hardware products are known for their excellent performance. Try our shower door hooks for adding style to your bathroom space.

# Bolts and Screws



## Standoff Anchor Bolt

10 Pieces/ Package  
 Applicable For: FMF 38ST & 50ST Standoffs  
 Construction Material:  
 304 Grade Stainless Steel  
 Diameter: 3/8" Diameter (Imperial Threads)  
 Function: To Secure Anchor Bolt Into Stud For  
 Use Of Standoff

Model No.	Length
SCS-02S	2 1/2"
SCS-03S	3"
SCS-06S	4"
SCS-07S	3"

They are applicable to use in both indoor and outdoor environments. Our bolts and screws are an inevitable part of the installation process of any architectural and railing installation project.



## BASH1- Anchors Bolt Screw

Applicable For: FMF Base Shoe  
 Railing System  
 Construction Material: 304 Grade  
 Stainless Steel  
 Quantity: 10 Pieces Per Pack  
 Function: To Bolt Base Shoe to  
 the surface

Model No.	Length
SCF-03S	3 1/2"

Crafted with meticulous attention to detail, this anchor bolt screw is designed to provide exceptional stability and durability for your glass installations. Whether you're working on glass balustrades, glass partitions, or any other glass application, this is the reliable solution you need.



## Anchor Lock-Bolt Screw

Applicable For: FMF Railing Posts & Spigots  
 Construction Material: Zinc Alloy  
 Quantity: 10 Pieces Per Pack  
 Function: To Secure Railing Posts & Spigots  
 Into Place

Model No.	Length
SCF-04S	3 1/2"

Designed specifically for FMF Railing Posts & Spigots, these high-quality screws are essential for securing your railing system. Constructed from durable zinc alloy, these screws offer excellent strength and longevity.





**Hex Head Wood Tapping Screw**

10 Pieces/ Package  
 Diameter: 3/8"  
 Applicable For: FMF Railing Posts & Spigots  
 Construction Material: 304 Grade Stainless Steel  
 Function: To Secure Railing Posts & Spigots Into Place

Model No.	Length
SCF-06S	2 1/2"
SCF-08S	3 1/2"

They are perfect for carrying out installation projects in residential and commercial properties. Simplify your architectural projects and accomplish them before time with our wood tapping screws.



**Transom Clamp Screw**

2 Pieces/ Package  
 Diameter: 3/8"  
 Applicable For: Transom Clamps  
 Construction Material: 304 Grade Stainless Steel  
 Function: Used To Secure Transom Clamps

Model No.	Length
SCF-12X	1/2"

These screws make the installation process a lot easier & smoother. We carry two pieces per pack to enable the completion of the installation project. Our installation tools are designed to complement a wide range of installation projects involving transom clamps in exterior & interior spaces.



**Commercial Handle Screw**

10 Pieces/ Package  
 Diameter: 3/8"  
 Applicable For: FMF Commercial Handles  
 Construction Material: 304 Grade Stainless Steel  
 Function: To Apply To Commercial Handles For Thicker Doors

Model No.	Length
SCF-10X	3"

Made of high-quality Stainless Steel, they are strong and provide good support to the handles. They perfectly secure commercial handles to thicker doors. They are suitable to use in commercial and residential properties where heavy doors are installed.



**Shower Hinge Screw**

10 Pieces/ Package  
 Phillips Head  
 Applicable For: Wall Mounted Hinges  
 Construction Material: 304 Grade Stainless Steel  
 Function: To Secure Hinges to wall

Model No.	Length
SCF-13X	2"
SCF-14BL	2"
SCF-14BN	2"
SCF-14CH	2"

These screws are used to secure hinges into a wall. They are strong, corrosion resistant and are able to sustain the wet environments in the shower area. We value the importance of durability and safety around glass shower enclosures. Our screws maintain the structural integrity of these installations.



**3/16 Drill Bit V-Groove**

Relton Drill Bits  
 3/16" Diameter  
 Applicable For: Porcelain, Tile, Marble & Hard Surfaces  
 Function: To Drill Holes For Shower Door Hinges

Model No.	Size
DR-RE04.316	4"
DR-RE06.316	6"

This Drill Bit is perfect for shower door installations as they are used to drill holes for shower door hinges. Our clients most often use it for remodels and upgrades of the property. We recommend using V-Groove Bits on Porcelain, Tile, Marble & Hard Surfaces.



**Magnetic Impact Power Drill Bit**

1/4" Diameter  
 6" Length  
 Allen Head Tip  
 Applicable For: Porcelain, Tile, Marble & Hard Surfaces  
 Dimensions: 1/4" x 6"

**Model No.**  
 DR-LN06.001



**Magnetic Impact Power Drill Bit**

FMF Magnetic Impact Power Drill Bit w/ Small Phillips Tip  
 1/4" Diameter  
 4" Length  
 Small Phillips Tip  
 Applicable For: Porcelain, Tile, Marble & Hard Surfaces  
 Dimensions: 1/4" x 4"

**Model No.**  
 DR-PH06.002



**Robertson Magnetic Impact Power Drill Bits**

The FMF Magnetic Impact Power Drill Bit (DR-SQ06) features a 1/4" diameter and a 4" length, with a square tip, making it ideal for drilling through tough surfaces like porcelain, tile, marble, and other hard materials. This tool is designed specifically for drilling holes to install shower door hinges.

Model No.	Size
DR-SQ06.001	#1
DR-SQ06.002	#2



**Standoff Installation Tool**

Standoff Installation Tool  
Size Adjustable

Applicable For: 35-50mm Standoff Diameter  
Function: Used To Tighten Standoff Caps

**Model No.**

TOOL-ST.01

With adjustable size, these tools make the process of installation of standoffs much easier and more convenient. They are used for tightening the standoff caps, allowing the standoffs to support the glass installations for a long time.



**Glazing U-Channel Gasket**

Commercial U-Channel Gasket  
Construction Material: Black Rubber

Model No.	Size	Length
GAS-10.25	10 mm	25ft
GAS-10.50	10 mm	50ft
GAS-10.100	10 mm	100ft
GAS-10.500	10 mm	500ft
GAS-12.25	12 mm	25ft
GAS-12.50	12 mm	50ft
GAS-12.100	12 mm	100ft
GAS-12.500	12 mm	500ft

They are essential seals for openings of glass installations and protect them in a safe and effective way. They are designed practically with black rubber to provide strength and durability for a long time. The construction of our gaskets provides an elegant appearance and attractive design to the glass doors.



**Sliding Door System Installation Tool**

Compatible with: LSK Series Sliding door kits  
Construction Material: 304 Grade Stainless Steel  
Function: To Assist With The Installation Of the LSK Series Sliding Kits  
Adjustable to size

**Model No.**

TOOL-LS.02

Whether it is the renovation of commercial space or building a new project, our Sliding Door System Installation Tools provide maximum support and make your installation process seamless. You can adjust the size as per installation requirements.

# FMF

company made by professionals,  
for professionals.

## Mississauga

7205 Tranmere Drive, Unit 9,  
Mississauga ON, L5S 1N4.

info@fmfglasshardware.com  
905.819.6969

## Woodbridge

7611 Pine Valley Drive,  
Unit 8, Woodbridge ON, L4L 0A2.

info@fmfhardwaresolutions.com  
416.775.9507

## Concord

8161 Keele Street, Unit 2  
Concord Ontario L4K 1Z3

info@fmfhardwaresupply.com  
905.915.4649