

FRAMELESS SHOWER DOOR



FMF | GLASS HARDWARE

Made by
Professionals,
for **Professionals**

www.fmfglasshardware.com

About Us

The FMF Team

FMF is a proud Canadian company managed by a team of professionals with 20+ years of industry experience. We understand the importance of quality, durability, and essence. Currently located in three locations across the GTA we would be delighted to work alongside you.

Our mission is to provide the highest quality of products and customer service to you so you can provide the same to yours. We are proud to stand behind our products. A quick look at what FMF offers: Shower, Railing, Commercial, and Architectural hardware in Satin Brass, Matte Black, Chrome, Brushed Nickle, and Polished Nickle finishes; Online ordering and Walk-in orders; Cut-to-size services; Stock glass doors (Swing & Sliding); and Lock systems for glass doors.



FMF Company History

Established in 2015 FMF opened its first in-person store in Woodbridge, Ontario. Initially, FMF was just a small glass hardware supplier only importing essential shower hardware consisting primarily of hinges, handles, and clamps.

However, due to the FMF team's outstanding attention to customer service and quality products the Woodbridge store rapidly gained popularity across the Greater Toronto Area (GTA). As the variety of valued customers continued to expand, FMF was determined to meet increasing customer demands. FMF Started supplying harder-to-find specialty items, in addition to architectural & railing hardware.

With ever-growing inventory more storage space was needed. In 2018 FMF opened its second much larger location in Mississauga. This allowed the team at FMF to provide better service to customers further away on the west side of the GTA while being able to carry a wider range of inventory at the same time. FMF's continued dedication to accommodating customers resulted in the opening of a third location in 2022, further East in the GTA, in Concord.

Today FMF now offers an extensive range of products in several finishes. The FMF team works vigorously 6 days a week to provide the highest quality of customer service and products to customers throughout Canada.

Visiting an FMF Store In-Person

FMF is presently located at three convenient locations across the GTA. Upon entering any of the three locations you can expect an industry-leading level of friendly and knowledgeable customer service as well as a comprehensive display of our products. You can find our in-person stores here:

- FMF Glass Hardware Mississauga: 7205 Tranmere Drive, Unit 9
- FMF Hardware Solutions Woodbridge: 7611 Pine Valley Drive, Unit 8
- FMF Hardware Supply Concord: 8161 Keele Street, Unit 2

Rapid International Delivery

We value all FMF customers, even if our stores are located too far away to visit in person. FMF goes above and beyond to offer prompt delivery to all customers across USA and Canada.

Shower Door Hardware

Modern shower and bath enclosures start with the idea or vision of an elegant and functional bathing environment that adds beauty and value to your home.

Turning ideas into reality requires not only high-quality hardware, but also a design or plan to integrate the new enclosure into an existing environment.

We provide support in two critical areas of the construction of the shower enclosure. First, you need to evaluate the design.

Does it fit the existing realm, or does it need a major change?

Second, the hardware must be compatible with the intended glazing and layout. Recommendations on which hinges are compatible are provided. A design Plan helps you choose the best hardware. These are fit for 10-12mm tempered glass and come with upto 3-years limited warranty.

All of this is part of our commitment to providing with the best products as well as the highest level of service.



Installation tips

- Measure Twice, Cut Once

Accurate measurement is key to a successful glass installation. Make sure to double-check your measurements before cutting the glass to ensure a perfect fit.

- Use The Right Tools

Invest in high-quality tools designed specifically for glass installation. Cheap tools can break easily and can result in a poor-quality installation.

- Engage With Your Clients

If customers have questions, address them live on social media in addition to troubleshooting over the phone.

- Follow Manufacturer's Instructions

Always read and follow the manufacturer's instructions when installing glass products. Ignoring these instructions can result in improper installation and potential safety hazards.

- Use Proper Support

Make sure to use proper support when installing glass to ensure that it is held securely in place. Not using enough support can lead to the glass breaking or falling out.

- Use The Right Sealants

Choose the right sealants for the job to ensure a proper seal and prevent leaks. Make sure to follow the manufacturer's recommendations for the best results.

- Use Tempered Glass For Safety

Consider using tempered glass for applications where safety is a concern, such as shower doors and patio doors. Tempered glass is stronger and less likely to shatter than regular glass.

- Regularly Maintain Glass Installations

To ensure that glass installations remain in good condition, make sure to regularly clean and inspect them for signs of damage. This can help extend the lifespan of the installation and prevent potential accidents.

HARDWARE FINISHES

are an important aspect of any construction or renovation project, as they not only serve a functional purpose, but also contribute to the overall aesthetic of a space. FMF Glass Hardware offers a wide range of finishes for their hardware products, including satin brass, matte black, brushed stainless steel, polished nickel, bright anodized, and chrome.



FMF Glass Hardware offers a curated selection of finishes to enhance any space. Satin brass brings a soft, luxurious warmth, ideal for classic appeal, while matte black offers a modern, sophisticated edge for minimalistic designs. Brushed stainless steel delivers durable, corrosion-resistant options suited for heavy use, perfect for modern aesthetics. Polished nickel provides a shiny, glamorous look, versatile for various styles, and chrome adds a sleek, contemporary shine to both commercial and residential settings.



Shower Door Hinges

If you are looking to replace your old shower curtains with a bright and modern glass shower door, you've come to the right place! Depending on the shape and size layout of your bathroom, it is important to consider how your shower door will function in the space.

Our shower door hinges are constructed of solid brass for 10mm – 12mm tempered safety glass and they come with a limited 1-year warranty. The FMF Shower Door Hinges are an excellent choice for styling your bathroom. Here's why!

- Swings 90° In + 90° Out, providing safe entry to children and the elderly
- Easy to clean and maintain
- Minimalistic and appealing style for your bathroom

Number of Hinges	Hinge Type	Weight	Door Width
Two	Standard Duty	80lbs/36kg	28"/711mm
Three	Standard Duty	120lbs/54kg	32"/813mm
Two	Heavy Duty	110lbs/50kg	36"/914mm
Three	Heavy Duty	140lbs/63kg	36"/914mm



180° Standard Glass-to-Glass Hinge

Glass Fabrication: Refer To Attached Diagram on website
Construction Material: Solid Brass
Function: Swings 90° In + 90° Out, Self-Centering Within 15° Of Closed Position
Maximum Door Weight: 45 KG Per Pair

Model No.	Finish
G203.BN	Brushed Nickel
G203.BL	Matte Black
G203.CH	Chrome
G203.PS	Polished Stainless
G203.SB	Satin Brass
G203.BBZ	Brushed Bronze
G203.PN	Polished Nickel
G203.RB	Oil Rubbed Bronze

These hinges are ideal for large-scale projects such as the installation of shower doors at hotels or simple projects such as the installation of shower doors at residential properties. The design flexibility in these hinges enables architects and contractors to create a classic look for the bathroom space.

180° Glass to Glass Hinges



180° Heavy Duty Glass-to-Glass Hinge

Glass Fabrication: Refer To Attached Diagram on website
Construction Material: Solid Brass
Function: Swings 90° In + 90° Out, Self-Centering Within 15° Of Closed Position
Maximum Door Weight: 50 KG Per Pair

Model No.	Finish
V203.BN	Brushed Nickel
V203.BL	Matte Black
V203.CH	Chrome
V203.SB	Satin Brass
V203.PN	Polished Nickel
V203.BBZ	Brushed Bronze
V203.RB	Oil Rubbed Bronze

These hinges enable the glass doors to open and close at a 90-degree angle. Our variety of finishes for the hinges ensures that you get to choose from several options to match your décor requirements. Made of Solid Brass, these hinges are durable, secure, and long-lasting for several years.

V203.SB



180° Bevelled Glass-to-Glass Hinge

Glass Fabrication: Refer To Attached Diagram on website
Construction Material: Solid Brass
Function: Swings 90° In + 90° Out, Self-Centering Within 15° Of Closed Position
Maximum Door Weight: 45 KG Per Pair

Model No.	Finish
G303.BN	Brushed Nickel
G303.BL	Matte Black
G303.CH	Chrome

These hinges are commonly used in bathrooms of residential and commercial hotel properties. FMF shower door hinges associate value with performance and durability. Offered in Bevelled style, the hinges provide design flexibility to cover the majority of installation requirements.



180° Adjustable Glass-to-Glass Hinge

Glass Fabrication: Refer To Attached Diagram on website
Construction Material: Solid Brass
Function: Swings 90° In + 90° Out, Self-Centering Within 15° Of Closed Position
Maximum Door Weight: 45 KG Per Pair

Model No.	Finish
G209.CH	Chrome
G209.BL	Matte Black

Made of Solid Brass, the hinges are resistant to water and rust. They are also well-known for their durability and strength. These hinges give an exceptionally all-visible look to your glass shower doors. They are used to join two adjacent glass panels for accomplishing an all-glass shower door installation project.

135° Glass To Glass Hinges



G206.PN



135° Adjustable Glass-to-Glass Hinge

Glass Fabrication: Refer To Attached Diagram on website
 Construction Material: Solid Brass
 Function: Swings 90° In + 90° Out, Self Centering Within 15° Of Closed Position
 Maximum Door Weight: 45 KG Per Pair

Model No.	Finish
G206.BN	Brushed Nickel
G206.BL	Matte Black
G206.CH	Chrome
G206.PN	Polished Nickel
G206.SB	Satin Brass
G206.BBZ	Brushed Bronze
G206.RB	Oil Rubbed Bronze

If you are looking for something unique in your bathroom décor, try our hinges for a refreshing look. The hinges, designed for neo-angle glass shower doors, complement the all-glass appeal. Our construction of hinges in Solid Brass promises durability and strength.



135° Bevelled Glass-to-Glass Hinge

Glass Fabrication: Refer To Attached Diagram on website
 Construction Material: Solid Brass
 Function: Swings 90° In + 90° Out, Self Centering Within 15° Of Closed Position
 Maximum Door Weight: 45 KG Per Pair

Model No.	Finish
G302.BN	Brushed Nickel
G302.CH	Chrome

A variety of finishes of these hinges give design flexibility for matching multiple themes of bathroom décor. The hinges are self-centering with 15 degrees of closed position. Made of Solid Brass, the hinges provide durability and minimal maintenance. They are effective in securing the glass holdings with each other.



135° Standard Glass-to-Glass Hinge

Glass Fabrication: Refer To Attached Diagram on website
 Construction Material: Solid Brass
 Function: Swings 90° In + 90° Out, Self Centering Within 15° Of Closed Position
 Maximum Door Weight: 45 KG Per Pair

Model No.	Finish
G202.BN	Brushed Nickel
G202.BL	Matte Black
G202.CH	Chrome

These hinges enable the construction of glass shower enclosures with angled panels. We provide Solid Brass hinges to ensure safety, durability, and longevity. Our varied range of finishes in hinges allows you to create and establish the theme of the bathroom space with ease.



135° Heavy Duty Glass-to-Glass Hinge

Glass Fabrication: Refer To Attached Diagram on website
 Construction Material: Solid Brass
 Function: Swings 90° In + 90° Out, Self Centering Within 15° Of Closed Position
 Maximum Door Weight: 50 KG Per Pair

Model No.	Finish
V202.BN	Brushed Nickel
V202.BL	Matte Black
V202.CH	Chrome

These Hinges are perfect for securing glass panels of a shower door system. They are strong and durable and can sustain the heavy weight of shower doors as they are made of Solid Brass. They offer formability and structure to the glass shower doors with their performance.

90° Glass-to-Glass Hinges

12



For easy functioning of your shower door, choose FMF 90° Glass-to-Glass hinges. Available in two types – Heavy duty and standard, these hinges are perfect for 10- 12mm tempered glass of your shower enclosures coming with a limited 1-year warranty. They are made to support regular glass doors to heavier ones, based on your design specifications of the bathroom.

Their construction in Solid Brass enables the hinges to withstand the pressure for a long time, ensuring durability. They require minimal maintenance. With these hinges, the shower glass door can open 90 degrees in and out with a closed position at 15 degrees. Choose our glass-to-glass hinges for optimum performance of your shower door!

13



90° Standard Glass-to-Glass Hinge

Glass Fabrication: Refer To Attached Diagram on website
Construction Material: Solid Brass
Function: Swings 90° In + 90° Out, Self-Centering Within 15° Of Closed Position
Maximum Door Weight: 45 KG Per Pair

Model No.	Finish
G204.BN	Brushed Nickel
G204.BL	Matte Black
G204.CH	Chrome
G204.PN	Polished Nickel
G204.SB	Satin Brass
G204.BBZ	Brushed Bronze
G204.RB	Oil Rubbed Bronze

The design of the hinges gives the shower area a clean and modern look. These hinges can provide easy movement of the glass doors with opening and closing at a 90° angle. Made with Solid Brass, they provide durability, rust resistance, allowing them to function for several years.



90° Heavy Duty Glass-to-Glass Hinge

Glass Fabrication: Refer To Attached Diagram on website
Construction Material: Solid Brass
Function: Swings 90° In + 90° Out, Self-Centering Within 15° Of Closed Position
Maximum Door Weight: 50 KG Per Pair

Model No.	Finish
V204.BN	Brushed Nickel
V204.BL	Matte Black
V204.CH	Chrome
V204.BBZ	Brushed Bronze
V204.SB	Satin Brass

These glass-to-glass hinges effectively connect the glass panel to the swinging glass door. We carry three beautiful finishes to coordinate with your demanding design needs. The hinges enable the glass doors to open and close smoothly at a 90-degree angle.

90° Wall Mount Hinges



Our industry-standard wall mount hinges are available in several finishes, such as Brushed Nickel, Chrome, and Matte Black to suit best your design specifications. We also carry a varied range of wall mount hinges, such as Heavy Duty, H-Plate, Bevelled, etc., and they are capable to meet your expectations of supporting glass shower doors. These are fit for 10-12 MM tempered glass and come with a 1-year limited warranty.

Designed especially for shower glass doors of the bathroom area, these hinges allow you to create a door that opens and closes automatically at 90 degrees with self-centering at 15 degrees. FMF Glass Hardware chooses high-quality materials with the most exceptional product technology for producing hardware products.



H-Plate Wall Mount Hinge

Glass Fabrication: Refer To Attached Diagram on website
 Construction Material: Solid Brass
 Function: Swings 90° In + 90° Out, Self Centering Within 15° Of Closed Position
 H-Style Back-Plate
 Maximum Door Weight: 45 KG Per Pair

Model No.	Finish
G200.BN	Brushed Nickel
G200.BL	Matte Black
G200.CH	Chrome
G200.SB	Satin Brass
G200.BBZ	Brushed Bronze
G200.RB	Oil Rubbed Bronze

These Hinges are perfect for securing glass panels of a shower door system. They are strong and durable and can sustain the heavy weight of shower doors as they are made of Solid Brass. They offer formability and structure to the glass shower doors with their performance.



Offset Wall Mount Hinge

Glass Fabrication: Refer To Attached Diagram on website
 Construction Material: Solid Brass
 Function: Swings 90° In + 90° Out, Self Centering Within 15° Of Closed Position
 Maximum Door Weight: 45 KG Per Pair

Model No.	Finish
G205.BN	Brushed Nickel
G205.BL	Matte Black
G205.CH	Chrome
G205.SB	Satin Brass
G205.BBZ	Brushed Bronze

Our series of hinges combines elegant design with premium quality. The offset wall-mount hinges give an undisturbed look to the shower area. Choose from our number of beautiful finishes for wall mount hinges to enhance the décor of your bathroom.



Standard Wall Mount Hinge

Glass Fabrication: Refer To Attached Diagram on website
 Construction Material: Solid Brass
 Function: Swings 90° In + 90° Out, Self Centering Within 15° Of Closed Position
 Full Back-Plate
 Maximum Door Weight: 45 KG Per Pair

Model No.	Finish
G201.BN	Brushed Nickel
G201.BL	Matte Black
G201.CH	Chrome
G201.SB	Satin Brass
G201.PN	Polished Nickel

These hinges are self-centering and are able to accommodate the opening and closing of the shower door at a 90° angle. We carry multiple finishes of the hinges to match your overall design of the bathroom area. Get our Standard Wall Mount Hinges for easy movement of shower doors in the bathroom.



Bevelled Wall Mount Hinge

Glass Fabrication: Refer To Attached Diagram on website
 Construction Material: Solid Brass
 Function: Swings 90° In + 90° Out, Self Centering Within 15° Of Closed Position
 90° Bevelled Glass-To-Wall Hinge
 H-Style Back-Plate
 Maximum Door Weight: 45 KG Per Pair

Model No.	Finish
G300.BN	Brushed Nickel
G300.BL	Matte Black
G300.CH	Chrome

We carry a stock of several finishes for our hinges to select the one that coordinates with the other hardware design and colour of the bathroom. These Bevelled hinges are wall-mounted with an H-style back plate to provide maximum capacity and strength. They require very less amount of effort in installations.



Heavy-Duty H-Plate Wall Mount Hinge

Glass Fabrication: Refer To Attached Diagram on website
 Construction Material: Solid Brass
 Function: Swings 90° In + 90° Out, Self Centering Within 15° Of Closed Position
 H-Style Back-Plate
 Maximum Door Weight: 50 KG Per Pair

Model No.	Finish
V200.BN	Brushed Nickel
V200.BL	Matte Black
V200.CH	Chrome
V200.SB	Satin Brass
V200.BBZ	Brushed Bronze
V200.RB	Oil Rubbed Bronze

These are strong and resistant to moisture. These hinges accommodate the door to swing in and out by 90° with self-centering of closed position on 15°. We carry Six Finishes of these hinges to match your varying design themes. These hinges can hold up to 50 kg of door weight per pair.



Short Plate Wall Mount Hinge

Glass Fabrication: Refer To Attached Diagram on website
 Construction Material: Solid Brass
 Function: Swings 90° In + 90° Out, Self Centering Within 15° Of Closed Position
 90° Glass-To-Wall Hinge
 Short Back-Plate
 Maximum Door Weight: 45 KG Per Pair

Model No.	Finish
G207.BN	Brushed Nickel
G207.BL	Matte Black
G207.CH	Chrome
G207.SB	Satin Brass

Their construction in Solid Brass gives durability and resistance to rust so that they can withstand the wet environment in the shower area. These 90° Glass-To-Wall Hinges accommodate the easy installation of shower doors in bathrooms of hotels and residential spaces. Try our hinges for upscaling the bathroom décor for a timeless look.



Adjustable Wall Mount Hinge

Glass Fabrication: Refer To Attached Diagram on website
 Construction Material: Solid Brass
 Function: Swings 90° In + 90° Out, Self Centering Within 15° Of Closed Position
 90° Adjustable Glass-Wall Hinge
 H-Style Back-Plate
 Maximum Door Weight: 45 KG Per Pair

Model No.	Finish
G208.CH	Chrome
G208.BL	Matte Black

The hinges have an H-style back plate that assists in additional clamping force. Constructed of Solid Brass, the hinges can be used for 10 to 12MM tempered glass. The glass-to-wall hinges give maximum design flexibility and enable the designers to create enclosures of various styles.



Heavy-Duty Offset Wall Mount Hinge

Glass Fabrication: Refer To Attached Diagram on website
 Construction Material: Solid Brass
 Function: Swings 90° In + 90° Out, Self Centering Within 15° Of Closed Position
 Maximum Door Weight: 66 KG Per Pair

The hinges enable the doors to open & close at a 90-degree angle with ease. Made of Solid Brass, these are durable & resistant to moisture. They are designed for residential or hotel shower door installations. They effectively secure the glass enclosures of the shower doors & give an unobstructed view of the area.

Model No.	Finish
V205.BN	Brushed Nickel
V205.BL	Matte Black
V205.CH	Chrome
V205.BBZ	Brushed Bronze
V204.SB	Satin Brass

Shower Door Essentials Hardware Kit



Heavy-Duty Wall Mount Hinge

Glass Fabrication: Refer To Attached Diagram on website
 Construction Material: Solid Brass
 Function: Swings 90° In + 90° Out, Self Centering Within 15° Of Closed Position
 Full Back-Plate
 Maximum Door Weight: 50 KG Per Pair

The hinges allow the doors to swing in and out by 90° with a self-centering of 15° in a closed position. The hinges make the shower doors easy to use. We provide three beautiful finishes of the hinges to match your bathroom design.

Model No.	Finish
V201.BN	Brushed Nickel
V201.BL	Matte Black
V201.CH	Chrome
V201.PN	Polished Nickel

Shower Door Essentials Hardware Kit

Applicable: 10-12MM Tempered Glass / Construction Material: Solid Brass / Warranty: Limited 1-Year Warranty / Glass Fabrication: Refer to Diagram on Website

Model No.	Finish
G400.SB	Satin Brass
G400.BN	Brushed Nickel
G400.CH	Chrome
G400.BL	Matte Black

The Glass Shower Door Essential Kit includes everything you need for a sleek and modern shower installation. It features two durable wall mount hinges for secure door support, two sturdy glass clamps for added stability, and a stylish 6-inch round handle for a comfortable grip. Crafted from high-quality materials with a polished finish, this kit ensures both functionality and elegance for your bathroom space.

Heavy Duty Pivot Hinge



Glass Fabrication: Refer To Attached Diagram on website
 Construction Material: Solid Brass
 Function: Swings 90° In + 90° Out, Self Centering Within 15° Of Closed Position
 Heavy Duty Top/Bottom Bevelled Pivot Hinge
 360° Full-Rotation
 Maximum Door Weight: 66 KG Per Pair

Model No.	Finish
V501.BN	Brushed Nickel
V501.BL	Matte Black
V501.CH	Chrome
V501.BL	Matte Black
V501.BN	Brushed Nickel
V501.CH	Chrome

These come with a finished edge design and are perfect for shower installations at residential properties or hotels. We provide six finishes for the hinges to match varying design expectations. The square profile gives a unique appearance to shower enclosures.

Standard Pivot Hinge



Glass Fabrication: Refer To Attached Diagram on website
 Construction Material: Solid Brass
 Function: Swings 90° In + 90° Out, Self Centering Within 15° Of Closed Position
 Top/Bottom Pivot Hinge
 Full-Rotation
 Maximum Door Weight: 45 KG Per Pair

Model No.	Finish
P501.BN	Brushed Nickel
P501.BL	Matte Black
P501.CH	Chrome
P501.SB	Satin Brass

With a Bevelled edge design, these hinges reflect elegance and sophistication. They not only support shower doors but also offer convenience to the user with the full-rotation feature. They are constructed of Solid Brass ensuring long-lasting life and are available in three market-standard finishes to suit your bathroom decor specifications.

Offset Pivot Hinge



Glass Fabrication: Refer To Attached Diagram on website
 Construction Material: Solid Brass
 Function: Swings 90° In + 90° Out, Self Centering Within 15° Of Closed Position
 90° Offset Pivot Hinge
 Full-Rotation
 Maximum Door Weight: 45 KG Per Pair

Model No.	Finish
P502.BN	Brushed Nickel
P502.CH	Chrome
P502.BL	Matte Black

Constructed according to the highest quality standards, their uniqueness makes them a popular choice amongst builders and designers in Toronto. They are designed to install the glass shower door to an adjacent wall. The offset plate allows the hinges to be installed closer to the walls.

Glass-to-Glass Pivot Hinge



Glass Fabrication: Refer To Attached Diagram on website
 Construction Material: Solid Brass
 Function: Swings 90° In + 90° Out, Self Centering Within 15° Of Closed Position
 360° Glass-To-Glass Pivot Hinge
 Full-Rotation
 Maximum Door Weight: 45 KG Per Pair

Model No.	Finish
P503.BN	Brushed Nickel
P503.CH	Chrome

They enable the installation of an additional glass door to the end of the glass panel to create a glass wall. They allow 360° movement with a simple design and elegant look. You can enjoy an undisturbed view of the glass shower door, bringing a refined theme to your bathroom décor.

Square Edge Pivot Hinge



Glass Fabrication: Refer to Diagram on Website / Construction Material: Solid Brass / Applicable: 10-12MM Tempered Glass/ Function: Swings 90° In + 90° Out / Centering Within 15° of the Closed Position / Full Rotation / Maximum Weight: 45KG Per Pair

Model No.	Finish
P504.BBZ	Brushed Bronze
P504.BL	Matte Black
P504.BN	Brushed Nickel
P504.CH	Chrome

Designed specifically for 10-12mm tempered glass, this pivot hinge offers precise functionality, swinging 90° in and out. It comes with all necessary installation accessories, including screws, anchors, rubber & PVC gaskets, and an Allen wrench. The hinge can support up to 45kg of door weight, with a recommended door width of 28". It is backed by a 1-year limited warranty, ensuring reliability.

Sleek & 180° Design Hinges



Our Sleek Design 180° Glass-To-Glass and 90° Offset Glass-To-Wall hinges give your shower a clean and modern look. Constructed with Solid Brass, these hinges offer a seamless design with self-centering in a 15° Of closed position. They allow glass shower doors to swing outwards and inwards to open. These are fit for 10-12 MM tempered glass and come with a 1-year limited warranty.

FMF Glass Hardware Shower Door Hinges are a popular choice for stand-alone showers as they are functional, and easy to use for any style of bathroom. The hinges give a soft touch to glass shower enclosures and are attractive yet simple.



Sleek Design 180° Glass-to-Glass Hinge

Glass Fabrication: Refer To Attached Diagram on website
 Construction Material: Solid Brass
 Seamless Design To Cover Screws
 Function: Swings 90° In + 90° Out, Self-Centering Within 15° Of Closed Position
 Maximum Door Weight: 45 KG Per Pair

Model No.	Finish
G211.BL	Matte Black
G211.CH	Chrome

These hinges allow shower doors to swing 90° in both directions, and self-centers within 15° of the closed position. These hinges allow securing of two glass panels of shower doors. The seamless design of the hinges offers an undisturbed all-glass look to the shower doors as the hinges cover screws.



Sleek Design 90° Offset Wall Mount Hinge

Glass Fabrication: Refer To Attached Diagram on website
 Construction Material: Solid Brass
 Seamless Design To Cover Screws
 Function: Swings 90° In + 90° Out, Self-Centering Within 15° Of Closed Position
 Maximum Door Weight: 45 KG Per Pair

Model No.	Finish
G210.BL	Matte Black
G210.CH	Chrome

Unlike traditional hinges, these wall-mount hinges come in a beautiful shape. The sleek design is perfect for decors with neat & sharp influences. There are two attractive finishes of the hinges – Chrome & Matte Black that make them so popular to offer style with flexibility of application. They are compatible with 10-12mm tempered glass.

Our stylish shower door handles are solid brass & stainless steel. We provide a variety of sleek designs in Round, Square, Mitered & Ladder styles that are:

- Clean and sharp designs to fit well any bathroom décor
- Highly functional and easy to install
- Durable and stylish

Pull Handles



Our pull handles are manufactured in 6", 8", and 12" sizes. With our wide variety of options, you can choose the one that meets your specific requirement. These are fit for 10-12mm tempered glass and come with a 3-years limited warranty.

Our multiple finishes of solid brass shower door pull handles are sure to satiate your architectural endeavors! Get inspired with our unique pull handles and uplift the look of your glass shower area.

Pull Handles



Technical Specifications	Round Series Pull Handle
Construction Material:	Solid Brass/Stainless Steel
Accessories:	Allen Wrench
Cutout Required:	1/2" Hole Required (12MM)

These Handles are designed for traditional & modern design themes. These handles offer simplicity and practicality with the comfort of the round grip. Suited for shower doors, these handles are renewed for their clean lines and timeless style.



Technical Specifications	Square Series Pull Handle
Construction Material:	Solid Brass/Stainless Steel
Accessories:	Allen Wrench
Cutout Required:	1/2" Hole Required (12MM)

Square Series Handles from FMF promise the clean & classic look that architects & designers prefer for glass shower door installations. The handles perfectly complement the modern bathroom designs assuring a firm grip & reliable strength.

ROUND SERIES PULL HANDLE	Handle Size	Matte Black (BL)	Brushed Nickel (BN)	Chrome (CH)	Satin Brass (SB)	Polished Nickel (PN)	Brushed Bronze (BBZ)	Oil Rubbed Bronze (RB)
	6"	DH10-6.BL	DH10-6.BN	DH10-6.CH	DH10-6.SB	DH10-6.PN	DH10-6.BBZ	DH10-6.RB
	8"	DH10-8.BL	DH10-8.BN	DH10-8.CH	DH10-8.SB	DH10-8.PN	DH10-8.BBZ	DH10-8.RB
	12"	DH10-12.BL	DH10-8.BN	DH10-12.	-	-	-	-

SQUARE SERIES PULL HANDLE	Handle Size	Matte Black (BL)	Brushed Nickel (BN)	Chrome (CH)	Satin Brass (SB)	Oil Rubbed Bronze (RB)	Polished Nickel (PN)	Brushed Bronze (BBZ)
	6"	DH62-6.BL	DH62-6.BN	DH62-6.CH	DH62-6.SB	DH62-6.RB	DH62-6.PN	DH62-6.BBZ
	8"	DH62-8.BL	DH62-8.BN	DH62-8.CH	DH62-8.SB	DH62-8.RB	DH62-8.PN	DH62-8.BBZ
	12"	DH62-12.BL	DH62-12.BN	DH62-12.CH	-	-	-	-



Technical Specifications	H-Series Pull Handle
Construction Material:	Solid Brass/Stainless Steel
Accessories:	Allen Wrench
Cutout Required:	1/2" Hole Required (12MM)

These Handles are an excellent choice for shower doors to get a stronger grip along with a more sophisticated look. Also, these show a sleek & impressive appearance, which makes them perfect for contemporary bathroom décor.



Technical Specifications	Mitered Series Pull Handle
Construction Material:	Solid Brass/Stainless Steel
Accessories:	Allen Wrench
Cutout Required:	1/2" Hole Required (12MM)

Buy these Handles from FMF to provide a distinct look to your bathroom décor. The handles are designed with square mitered corners & sleek round tubing that is hard to go unnoticed. The handles provide a perfect gripping surface and a smooth feel.

H-SERIES PULL HANDLE	Handle Size	Matte Black (BL)	Brushed Nickel (BN)	Chrome (CH)	Satin Brass (SB)	Polished Nickel (PN)
	6"	DH11-6.BL	DH11-6.BN	DH11-6.CH	DH11-6.SB	DH11-6.PN
	8"	DH11-8.BL	DH11-8.BN	DH11-8.CH	DH11-8.SB	DH11-8.PN

MITERED SERIES PULL HANDLE	Handle Size	Matte Black (BL)	Brushed Nickel (BN)	Chrome (CH)	Satin Brass (SB)
	6"	DH13-6.BL	DH13-6.BN	DH13-6.CH	DH13-6.SB
	8"	DH13-8.BL	DH13-8.BN	DH13-8.CH	DH13-8.SB

Towel Bars



FMF towel bars are manufactured to complement your bathroom look. They don't put stress on the glass; instead, they proudly serve the purpose of your giving a complete look to your shower area. Our FMF towel bars are meant to complement your bathroom's look. These are fit for 10-12mm tempered glass and come with a 3-years limited warranty.

From cylindrical look to square, tubular with sharp angles or ladder-pull, our distinctive towel bars are sure to stand out and take your bathroom's look to the next level. Manufactured in solid brass, delivering sustainability and durability, A more convenient option, Available in Double & Single sided Towel Bar + Handle combinations, 4 attractive styles for an aesthetic look.



Technical Specifications	Round Series Towel Bar Combination
Construction Material	Solid Brass/Stainless Steel
Projection From Surface	2 1/2" Projection
Cutout Required:	1/2" Hole Required (12MM)

Size	Brushed Nickel	Polished Nickel	Matte Black	Chrome	Satin Brass	Brushed Bronze	Oil Rubbed Bronze
6x12	TC10-612.BN	-	TC10-612.BL	TC10-612.CH	-	-	-
6x18	TC10-618.BN	TC10-618.PN	TC10-618.BL	TC10-618.CH	TC10-618.SB	TC10-618.BBZ	TC10-618.RB
8x18	TC10-818.BN	-	TC10-818.BL	TC10-818.CH	-	-	-

Towel Bar Combinations



TC10-612.SB



H-Series Towel Bar Combination

Cut Out Required:
1/2" Hole Required (12mm)
Construction Material: Solid Brass/Stainless Steel
Projection From Surface: 2 1/2" Projection

Model No.	Finish	Size
TC11-618.CH	Chrome	6x18
TC11-618.BN	Brushed Nickel	6x18
TC11-618.BL	Matte Black	6x18

This Towel Bar Combination comes with a towel bar & a handle. Their construction in Solid Brass makes them ideal for shower doors as they are durable, water resistant & aesthetically appealing.



Technical Specifications	Square Series Towel Bar Combination
Construction Material	Solid Brass/Stainless Steel
Projection From Surface	2 1/2" Projection
Cutout Required:	1/2" Hole Required (12MM)

Size	Brushed Nickel	Polished Nickel	Matte Black	Chrome	Satin Brass	Brushed Bronze	Oil Rubbed Bronze
6x18	TC62-618.BN	TC62-618.PN	TC62-618.BL	TC62-618.CH	TC62-618.SB	TC62-618.BBZ	TC62-618.RB
8x18	TC62-818.BN	-	TC62-818.BL	TC62-818.CH	-	-	-



**Mitered Series
Towel Bar Combination**

Cut Out Required:
1/2" Hole Required (12mm)
Projection From Surface: 2 1/2" Projection
Construction Material: Solid Brass/Stainless Steel

If you are looking for a clean and modern look, buy this Towel Bar Combination.

Size	Brushed Nickel	Matte Black	Chrome	Satin Brass
6x18	TC13-618.BN	TC13-618.BL	TC13-618.CH	TC13-618.SB
8x18	TC13-818.BN	TC13-818.BL	TC13-818.CH	-



**Round Series
Double-Sided Towel Bar**

Cut Out Required:
1/2" Hole Required (12mm)
Projection From Surface: 2 1/2" Projection
Construction Material: Solid Brass/Stainless Steel

Strong to withstand daily usage in the shower area & moist resistant.

Size	Brushed Nickel	Matte Black	Chrome	Satin Brass	Brushed Bronze
18"	TD10-18.BN	TD10-18.BL	TD10-18.CH	TD10-18.SB	TD10-18.BBZ
24"	TD10-24.BN	TD10-24.BL	TD10-24.CH	TD10-24.SB	-

Double-Sided Towel Bars



TD13-18.BL



**Mitered Series
Double-Sided Towel Bar**

Cut Out Required:
1/2" Hole Required (12mm)
Projection From Surface: 2 1/2" Projection
Construction Material: Solid Brass/Stainless Steel

You can install these towel bars on the shower doors or the wall at your convenience. The Mitered series offers the contrast of round tubes with square corners.

Size	Brushed Nickel	Matte Black	Chrome
18"	TD13-18.BN	TD13-18.BL	TD13-18.CH
24"	TD13-24.BN	TD13-24.BL	TD13-24.CH



**Square Series
Double-Sided Towel Bar**

Cut Out Required:
1/2" Hole Required (12mm)
Projection From Surface: 2 1/2" Projection
Construction Material: Solid Brass/Stainless Steel

These towel bars are unique and perfect for any modern theme.

Size	Brushed Nickel	Matte Black	Chrome	Satin Brass	Brushed Bronze
18"	TD62-18.BN	TD62-18.BL	TD62-18.CH	TD62-18.SB	TD62-18.BBZ
24"	TD62-24.BN	TD62-24.BL	TD62-24.CH	TD62-24.SB	-



**H-Series
Single-Sided Towel Bar**

Cut Out Required:
 1/2" Hole Required (12mm)
 Hole to Hole Distance: 18"
 Construction Material: Solid Brass/Stainless Steel
 Projection From Surface: 2 1/2" Projection
 Overall Size: 22"

Model No.	Finish
TS11-18.CH	Chrome
TS11-18.BN	Brushed Nickel
TS11-18.BL	Matte Black

H-Series Single Sided Towel Bars from FMF are a classic H-design that is elegant and robust. The construction of towel bars in Solid Brass makes them durable and moist proof.

Single-Sided Towel Bars



TS11-18.BN



**Mitered Series
Single-Sided Towel Bar**

Cut Out Required:
 1/2" Hole Required (12mm)
 Projection From Surface: 2 1/2" Projection
 Construction Material: Solid Brass/Stainless Steel

Size	Brushed Nickel	Matte Black	Chrome	Satin Brass
18"	TS13-18.BN	TS13-18.BL	TS13-18.CH	TS13-18.SB
24"	TS13-24.BN	TS13-24.BL	TS13-24.CH	-

The two sizes of these towel bars give an alternative option for you to install the one that best suits your requirements. Easy to install, these offer great convenience.



**Square Series
Single-Sided Towel Bar**

Cut Out Required:
 1/2" Hole Required (12mm)
 Projection From Surface: 2 1/2" Projection
 Construction Material: Solid Brass/Stainless Steel

Size	Brushed Nickel	Matte Black	Chrome	Satin Brass	Brushed Bronze
18"	TS62-18.BN	TS62-18.BL	TS62-18.CH	TS62-18.SB	TS62-18.BBZ
24"	TS62-24.BN	TS62-24.BL	TS62-24.CH	TS62-24.SB	-

These are durable and able to sustain daily usage in the shower area.



**Round Series
Single-Sided Towel Bar**

Cut Out Required:
 1/2" Hole Required (12mm)
 Projection From Surface: 2 1/2" Projection
 Construction Material: Solid Brass/Stainless Steel

Size	Brushed Nickel	Matte Black	Chrome	Satin Brass	Brushed Bronze
18"	TS10-18.BN	TS10-18.BL	TS10-18.CH	TS10-18.SB	TS10-18.BBZ
24"	TS10-24.BN	TS10-24.BL	TS10-24.CH	TS10-24.SB	-

These give an elegant look to the overall design of the bathroom.

Door Knobs





Round Series Cap for Handles & Towel Bars

Compatible With DH10 & TC10
 Construction Material: Solid Brass
 Applicable for: Round Series Towelbars and Handles
 2 Pieces per package
 Size: 19mm Diameter

Model No.	Finish
10CAP.BN	Brushed Nickel
10CAP.BL	Matte Black
10CAP.SB	Satin Brass
10CAP.CH	Chrome

Crafted with precision, it is the perfect finishing touch to your glass door handles and towel bars, adding a subtle yet sophisticated accent to your space. Compatibility is at the forefront of the Round Series Cap, as it seamlessly integrates with both DH10 Series Handles and TC10 Series Towel Bars, ensuring a complete and cohesive look for your glass hardware installations.



Cylinder Style Back-to-Back Shower Door Knob

Cylinder Style Back-to-Back Shower Door Knobs
 Construction Material: Solid Brass Material
 Hole Diameter Required: 3/8" or 1/2" (10 or 12 mm)

Model No.	Finish
DK-10.BL	Matte Black
DK-10.BN	Brushed Nickel
DK-10.CH	Chrome
DK-10.SB	Satin Brass

Square Series Cap

Compatible With DH62 & TC62
 Construction Material: Solid Brass
 Applicable for: Square series Towelbars and Handles
 2 Pieces per package
 Size: 19x19mm

Model No.	Finish
62CAP.BN	Brushed Nickel
62CAP.CH	Chrome
62CAP.SB	Satin Brass

Each package of the Square Series Cap includes two pieces, making it convenient to complete your glass door and towel bar configurations with ease. Elevate the aesthetics of your space with this meticulously crafted cap from FMF Glass Hardware, where style meets functionality.



Glass Door Knob

Circular Sliding Door Ring Pull Knob
 Construction Material: Solid Brass & Tempered Glass
 Cut Out Required: 1/2" Hole Required (12mm)

Model No.	Finish
DK-01.CH	Chrome

If you are looking for Glass Doorknobs that enhance the all glass look of your shower enclosures, you are in the right place. These stand out from the rest due to their rich appearance.





**Round Series
Double-Sided Towel Bar**

Back To Back Modern Style Door Knob
Construction Material: Solid Brass
Cut Out Required: 1/2" Hole Required (12mm)

Model No.	Finish
DK-09.CH	Chrome
DK-09.BN	Brushed Nickel
DK-09.BL	Matte Black
DK-09.SB	Satin Brass
DK-09.BBZ	Brushed Bronze

Step up to designer style with our Modern Doorknobs to make your glass shower doors look sleek and polished. FMF Glass Hardware provides an idealistic and simplified approach to Modern Doorknobs.



Mushroom Door Knob

Back To Back Mushroom Style Door Knob
Construction Material: Solid Brass
Cut Out Required: 1/2" Hole Required (12mm)

Model No.	Finish
DK-02.CH	Chrome

If you are keen on keeping minimalistic, yet functional doorknobs, this is your solution for shower enclosures. They are a perfect choice for your next project.



Square Sliding Door Knob

Finger-Pull Knob For Glass Sliding Door
Construction Material: 304 Grade Stainless Steel
Cut Out Required: 2" Hole Required (50.8MM)

Model No.	Finish
DK-05.CH	Chrome
DK-05.BN	Brushed Nickel
DK-05.BL	Matte Black

Designed to work with sliding shower doors, neat square profile with curvy edges of the doorknob with finger-pull make operating of the glass door easier.



Cube Door Knob

30x30mm Door Knob With Finger Indent
Construction Material: Solid Brass
Cut Out Required: 1/2" Hole Required (12mm)

Model No.	Finish
DK-03.BN	Brushed Nickel
DK-03.CH	Chrome
DK-03.BL	Matte Black

These Doorknobs with Finger Indent are easily integrated into a contemporary setting. They are simple yet equipped with surprising details.



Sliding Door Pull Knob

Circular Sliding Door Ring Pull Knob
Construction Material: Solid Brass
Cut Out Required: 2" Hole Required (50MM)

Model No.	Finish
DK-07.CH	Chrome
DK-07.BN	Brushed Nickel
DK-07.BL	Matte Black
DK-07.SB	Satin Brass

These are essential components for opening and closing the sliding shower door, thanks to their smooth & round grip, which makes the process easier.



Square Door Knob

30x30mm Doorknob, Modern Style With Indents
Construction Material: Solid Brass
Cut Out Required: 1/2" Hole Required (12mm)

Model No.	Finish
DK-04.BN	Brushed Nickel
DK-04.CH	Chrome
DK-04.BL	Matte Black

With the anti-rust qualities of the doorknobs, they are perfect for shower doors. Their modern style grants a refined look to your shower enclosures.

Shower Door Glass Clamps

Our elegant yet durable shower door glass clamps offer maximum structural support and a sophisticated look to your glass shower enclosure. Our shower door clamps provide fundamental support to residential and commercial shower settings. If you are rooting for an "all-glass" flawless look for your shower – our shower door clamps are made for just that! These are fit for 10-12mm tempered glass and come with a 3-year limited warranty.

Our designs are versatile, easy to install, clean and maintain, and ensure durability for several years. We are also equipped with a range of movable and fixed shower door clamps. Our dynamic bevelled & straight edge designs are sure to leave you in awe!





Transom Glass Clamp

Size: 2"x4"
 Cut-Out Required: 16/19 MM Hole Size
 Construction Material: Solid Brass
 180° Movable Transom Clamp
 Function: Used To Secure Transom Panels To Fixed Panels

Model No.	Finish
C824.BN	Brushed Nickel
C824.CH	Chrome
C824.BL	Matte Black
C824.SB	Satin Brass
C824.BBZ	Brushed Bronze
C824.PN	Polished Nickel

They allow the rotation of fixed glass panels to 180° for the stable movement of transom panels. At FMF, you can find a complete selection of Glass Hardware products for your glass shower door installations.



90° Glass-to-Glass Clamp

Cut-Out Required: 16/19 mm Hole Size
 Construction Material: Solid Brass
 90° Fixed Clamp, Glass-To-Glass
 Function: Used To Secure Two Fixed Panels Together At A 90° Angle, For Frameless Shower Enclosures

Model No.	Finish
C827.BN	Brushed Nickel
C827.CH	Chrome
C827.BL	Matte Black
C827.SB	Satin Brass
C827.BBZ	Brushed Bronze

The sharp square corners give a stylish approach to your shower area. Used for an outside fit of the glass panels, FMF 90° Glass-to-Glass Clamp is an excellent choice for your glass shower enclosure.



180° Fixed Junior Transom Glass Clamp

180° Fixed Transom Clamp
 Glass-To-Glass
 Cut-Out Required: 16/19mm Hole Size
 Function: Used To Secure Transom Panels To Fixed Panels

Model No.	Finish
C840.BN	Brushed Nickel
C840.CH	Chrome
C840.BL	Matte Black

They are ideal for securing fixed transom in frameless shower enclosures. With a Solid Brass built & several finishes, we aim to accommodate all your design requirements for the shower area.



Offset Glass Clamp

Off-Set Style Glass Clamp
 Single-Hole, Glass-To-Wall
 Cut-Out Required: 16/19 MM Hole Size
 Construction Material: Solid Brass
 Function: Used To Secure Fixed Panels For Frameless Shower Enclosures

Model No.	Finish
C823.BN	Brushed Nickel
C823.CH	Chrome
C823.BL	Matte Black
C823.SB	Satin Brass
C823.PN	Polished Nickel

Choose offset glass clamps for your glass shower door installations and experience a seamless and contemporary look. Their construction in Solid Brass provides strength and resistance to rust.



Standard Glass Clamp

Cut-Out Required: U-Cut Out
 Construction Material: Solid Brass
 Single-Hole
 Glass-To-Wall
 Function: Used To Secure Fixed Panels For Frameless Shower Enclosures

Size	Brushed Nickel	Polished Nickel	Matte Black	Chrome	Satin Brass	Brushed Bronze	Polished Nickel	Oil Rubbed Bronze
45x45	C820.BN	-	-	C820.CH	-	-	-	-
50x50	C821.BN	C821.PN	C821.BL	C821.CH	C821.SB	C821.BBZ	C821.PN	C821.RB

These clamps are an elegant solution for securing fixed panels for frameless shower enclosures.



Double Hole Glass Clamp

Cut-Out Required: V-Cut Out
 Construction Material: Solid Brass
 Glass-To-Wall
 Function: Used To Secure Fixed Panels For Frameless Shower Enclosures

Type	Brushed Nickel	Matte Black	Chrome	Satin Brass
Solid	C822.BN	-	C822.CH	-
Hollow	C829.BN	C829.BL	C829.CH	C829.SB

Our glass clamps showcase modern design & premium quality



Heavy-Duty Offset Glass Clamp

Cut-Out Required: 19 MM Hole Size
 Construction Material: Solid Brass
 3 Hole Design
 Function: Used To Secure Heavier Fixed Panels For Frameless Shower Enclosures

Model No.	Finish
C825.CH	Chrome
C825.BN	Brushed Nickel
C825.BL	Matte Black
C825.SB	Satin Brass

Our glass clamps are engineered to provide a long time of hassle-free performance on shower enclosures. Our products are designed to accommodate all your shower door installation needs.

Sleeve Over Glass Clamps



180° Fixed Transom Glass Clamp

Cut-Out Required: 19 MM Hole Size
 Construction Material: Solid Brass
 Function: Used To Secure Transom Panels To Fixed Panels

Model No.	Finish
C828.CH	Chrome
C828.BN	Brushed Nickel
C828.BL	Matte Black
C828.SB	Satin Brass

They instantly give a clutter-free look, upscaling the appearance of your project. They come with easy installation and low maintenance.



Bevelled Glass Clamp

Cut-Out Required: U-Cut Out
 Construction Material: Solid Brass
 Function: Used To Secure Fixed Panels For Frameless Shower Enclosures
 Size: 2" x 2"

Model No.	Finish
C831.CH	Chrome
C831.BN	Brushed Nickel
C831.BL	Matte Black

The clamps have bevelled edges with three innovative finishes to up-scale your shower enclosures. They are easy to install and require minimal maintenance with long-term durability.

Our sleeve over glass clamps acts as mechanical enclosures that are equipped to protect the glass panels from shear stresses. Our shower door glass clamps are also useful to keep the glass panels in one place while the silicone sealant in the joint cures to prevent water leakage, adjoining the glass panels together. These are fit for 10-12mm tempered glass and come with a 3-years limited warranty.

FMF sleeve over glass clamps also offers great benefits to your shower panels, such as: Stabilize your glass shower corners efficiently, Give a pleasant look to shower panels, Easy to install. With their elegant and sleek look, they are perfect for your shower doors. Our sleeve over clamps is sturdy enough to support your shower panels for a long time!



Left Side Sleeve Over Glass Clamp

Cut-Out Required: No Cut Out Required
 Construction Material: Solid Brass
 Function: Used To Secure Fixed Panels For Frameless Shower Enclosures
 Accessories: PVC Gaskets

Model No.	Finish
C863L.BN	Brushed Nickel
C863L.BL	Matte Black
C863L.CH	Chrome
C863L.SB	Satin Brass

Left Side Sleeve Over Glass Clamps are mechanical fasteners for covering the pressure points of the glass panels. They secure the glass panels for frameless shower enclosures. Available in the left-hand model, the wall-mounted sleeve-over glass clamps are perfect for transforming your shower area.



Right Side Sleeve Over Glass Clamp

Cut-Out Required: No Cut Out Required
 Construction Material: Solid Brass
 Function: Used To Secure Fixed Panels For Frameless Shower Enclosures
 Accessories: PVC Gaskets

Model No.	Finish
C863R.BN	Brushed Nickel
C863R.BL	Matte Black
C863R.CH	Chrome
C863R.SB	Satin Brass

Right Side Sleeve Over Glass Clamps are wall-mounted to secure fixed panels on frameless shower enclosures. The right-hand model of the glass clamp is perfect to reform the look of your shower area. The right-hand mechanical fasteners are available in three appealing finishes, such as Brushed Nickel, Chrome and Matte Black.



90° Sleeve Over Glass Clamp

Cut-Out Required: No Cut Out Required
 Construction Material: Solid Brass
 Function: Used To Secure Two Fixed Panels Together At A 90° Angle, For Frameless Shower Enclosures
 Accessories: PVC Gaskets

Model No.	Finish
C861.BN	Brushed Nickel
C861.BL	Matte Black
C861.CH	Chrome
C861.SB	Satin Brass

90° Sleeve Over Glass Clamps by FMF act as a mechanical fastener for preventing the pressure on the glass panels. They are used to secure two fixed glass panels at a 90° angle for frameless shower enclosures. We carry them in a varied range of finishes to incorporate all your architectural design demands.



Adjustable Sleeve Over Glass Clamp

Cut-Out Required: No Cut Out Required
 Construction Material: Solid Brass
 Function: Used To Secure Two Fixed Panels Together At Angle Of Your Choice, For Frameless Shower Enclosures
 Accessories: PVC Gaskets

Model No.	Finish
C862.BN	Brushed Nickel
C862.BL	Matte Black
C862.CH	Chrome
C862.SB	Satin Brass

FMF adjustable Sleeve Over Glass Clamps are manufactured to join two fixed panels at the desired angle for frameless shower enclosures. They play the role of a mechanical fastener for covering the pressure enforced on the glass panels. Constructed in Solid Brass, these glass clamps provide durability and rust resistance.

Glass Shelf Brackets



For lightweight shower products, it is important to choose support systems that help strengthen the shower enclosures and glasses. Our glass shelf brackets are designed to serve the purpose. Our stylish glass shelf brackets for floating glass and wood shelving are available in a variety of finishes, such as semi-round, glass mount, wall mount, etc. These are fit for 10-12mm tempered glass and come with a 3-years limited warranty.

They are manufactured in solid brass, can be used in shower areas, corners, and more over offer superior quality products, performance, and style. Check out our complete selection of customized and contemporary hardware for the glass, window, and door industry. These glass shelf brackets add a complete look to the overall design of your bathroom area and other spaces.



Glass Mount Shelf Clamp

Cut-Out Required: 10mm Hole Size
 Construction Material: Solid Brass
 Function: Used To Secure Glass Shelves
 Accessories: PVC Gaskets
 Glass Mounted (Single Hole)

Model No.	Finish
C882.BN	Brushed Nickel
C882.BL	Matte Black
C882.CH	Chrome
C882.SB	Satin Brass

They can easily secure the glass shelves for carrying products such as shampoos and soaps. Their construction in Solid Brass provides durability and rust resistance for several years. At FMF Glass Hardware, we pay utmost attention to the design, quality, and performance of our hardware products.



Semi-Round Shelf Clamp

Cut-Out Required: No Holes Required
 Construction Material: Solid Brass
 Function: Used To Secure Glass Shelves
 Accessories: PVC Gaskets
 Wall Mounted (Single hole)

Model No.	Finish
C883.BN	Brushed Nickel
C883.BL	Matte Black
C883.CH	Chrome
C883.BBZ	Brushed Bronze
C883.SB	Satin Brass

Their construction in Solid Brass offers durability and rust resistance for a long time. The clamps support the glass shelf brackets to create a dazzling display and more storage space. Buy our Semi-round shelf clamps for the best design, quality, and performance.

Square Shelf Clamp

Cut-Out Required: No Holes Required
 Construction Material: Solid Brass
 Function: Used To Secure Glass Shelves
 Accessories: PVC Gaskets
 Square Style (Single hole)

Model No.	Finish
C880.BN	Brushed Nickel
C880.BL	Matte Black
C880.CH	Chrome
C880.SB	Satin Brass

The square-shaped glass clamps have performance combined with design as the clamps are able to secure the glass shelves in both dry and wet environments. With FMF Glass Hardware, you get high-quality shower door hardware products at competitive prices.



Wall Mount Shelf Clamp

Cut-Out Required: No Holes Required
 Construction Material: Solid Brass
 Function: To Clamp & Secure Glass Shelf To A Wall
 Accessories: Screws, Anchors

Model No.	Finish
C881.BN	Brushed Nickel
C881.BL	Matte Black
C881.CH	Chrome
C881.SB	Satin Brass

Wall Mount Shelf Clamps are of high quality with anti-corrosion and durability features. They are perfect for securing glass shelves in dry and wet environments. At FMF Glass Hardware, you get shower door hardware with premium quality standards. The construction in Solid Brass offers strength to the Wall Mount Shelf Clamps.



Headers

Our header kits are manufactured in a way that they maintain a low profile and do not hinder the appealing look of your shower area. We want to ensure you have everything you need for securing the installation of your shower door in the bathroom. These are fit for 10-12mm tempered glass and come with a 1-year limited warranty.

Hence, our Deluxe shower door header kit is equipped with all essential components required to cover and install your glass enclosure. Our shower header kits have a round and flat profile to make your shower look exceptional. Our FMF Deluxe Shower Door Header Kit consists of 98" Shower Door Header Bar, 32" Snap-In Pocket Filler for Shower Door, 1 Length of Clear Glazing Gasket, 2 Wall mounting Brackets.



135° Header Connector Brass-Raw

135° Fixed Header Connector
 Applicable For: FMF Shower Door Header Kit (SA07-98)
 Construction Material: Solid Brass
 Function: To Connect Two Shower Door Header's At A 135° Angle

Model No.
 SK-135.RA

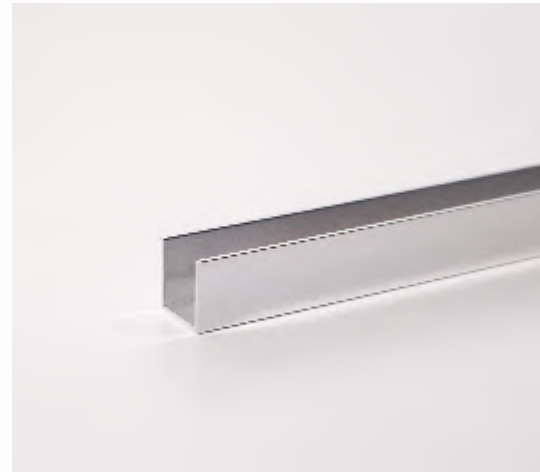
They effectively connect two shower door headers at a 135-degree angle. Made of Solid Brass, they are resistant to rust and provide durability and strength. The connectors are designed using high-quality materials with utmost care and precision.



Shower Door Header System

Shower Door Header 98" from FMF are available in flat and round profiles to coordinate your designing requirements. Made of aluminum, they are durable and offer support to the shower enclosures.

Length	Brushed Nickel	Matte Black	Chrome	Satin Brass	Brushed Bronze
66"	SA07-66.BN	SA07-66.BL	SA07-66.CH	SA07-66.SB	-
98"	SA07-98.BN	SA07-98.BL	SA07-98.CH	SA07-98.SB	SA07-98.BBZ
144"	SA07-144.BN	SA07-144.BL	SA07-144.CH	SA07-144.SB	-



Header Channel Filler for SA07

Header Channel Filler For Shower Door Header Kits
 Applicable For: FMF Shower Door Header Kit (SA07-98)
 Construction Material: Aluminum
 Size: 36" Length

Model No.
 HA01.CH

Crafted from durable aluminum, this filler ensures a seamless and secure fit, enhancing the functionality and aesthetics of your shower enclosure. Available in a convenient 36-inch length, it provides ample coverage for your shower door header kit.



360° Header Connector Brass-Raw

360° Adjustable Header Connector
 Applicable For: FMF Shower Door Header Kit (SA07-98)
 Construction Material: Solid Brass
 Function: To Connect Two Shower Door Header's At Angle Of Your Choice

Model No.
 SK-360

These are easy to install & are applicable for shower enclosure projects in residential & commercial properties. These are made with premium quality materials to ensure durability dust resistance.



Header Adapter

Shower Header Adapter
 Applicable For: FMF Shower Door Header Kit (SA07-98)
 Construction Material: Solid Brass
 Function: To Secure Pivot Hinges To Shower Door Header System

Model No.	Finish
HA03.BN	Brushed Nickel
HA03.CH	Chrome
HA03.BL	Matte Black
HA03.SB	Satin Brass
HA03.BBZ	Brushed Bronze

These adapters are an essential hardware component for the installation of shower doors as they set a pivot hinge inside the shower door header, allowing to join the hinges to the top of the door.



90° Header Connector Brass-Raw

90° Fixed Header Connector
 Applicable For: FMF Shower Door Header Kit (SA07-98)
 Construction Material: Solid Brass
 Function: To Connect Two Shower Door Header's At A 90° Angle

Model No.
 SK-90.RA

Their construction in Solid Brass enables them to offer strength and longevity to support shower headers. They are resistant to rust and can be installed easily at a 90-degree angle.



Wall Mounting Brackets for Header Bar

Wall Mounting Brackets
 Used with Deluxe Shower Door Header Kit
 Applicable For: FMF Shower Door Header Kit (SA07-98)
 Construction Material: Solid Brass
 Function: To Secure Header Bar To Wall

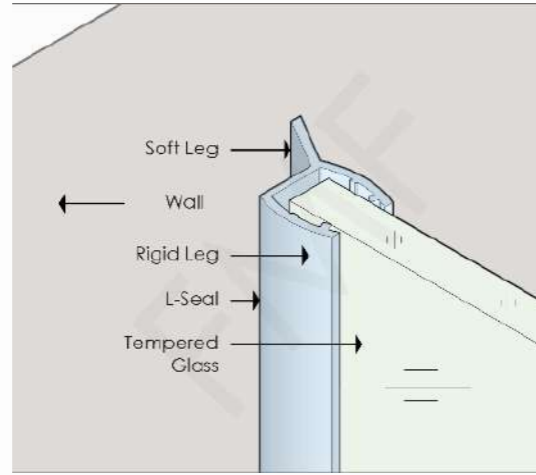
Model No.
 SA05-RAW

They are used with Deluxe Shower Door Header Kits. Their construction in Solid Brass provides durability and resistance from rust. They are ideal to use in wet environments.

Seals & Wipes

Snapped along the bottom edge and side of the glass door, our complete range of seals and wipes is a subset of our innovative hardware solutions for shower doors. These are fit for 10-12mm tempered glass and come with a 1-year limited warranty.

Our mission is to provide excellent customer service through our premium quality products manufactured by experts. Our seals and wipes prove efficiency in preventing water leakage and are excellent for your shower door.

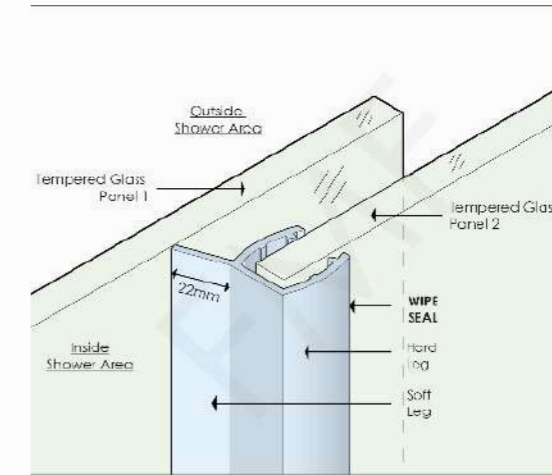
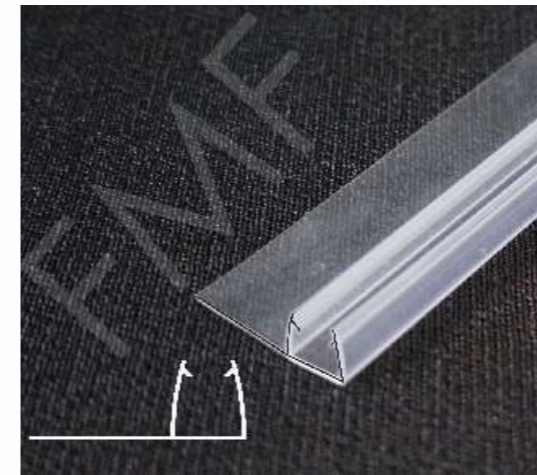


L-Seal

L-Style Shower Door Seal

Applicable for:
10mm Glass
Length: 98"
Construction Material:
PVC Plastic
Function:
Stops Door From Opening Beyond 180°

Model No.
PTS-01.L

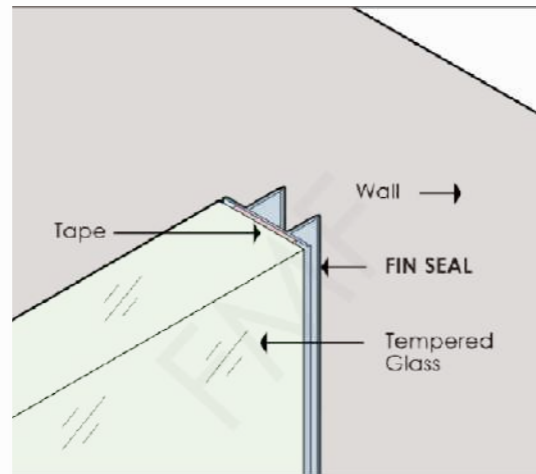
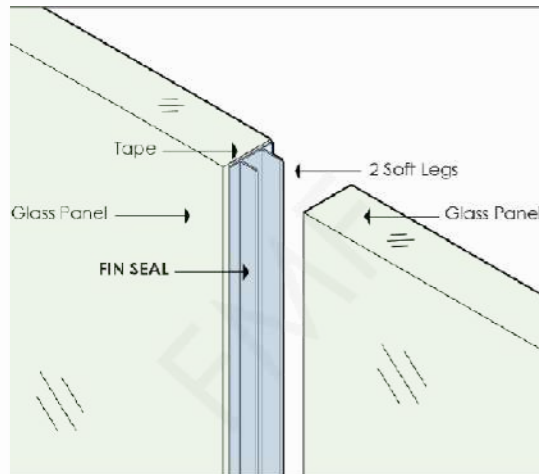


Wipe Seal

Glass Sliding Door Wipe

Applicable for:
10mm Glass
Length: 98"
Construction Material:
PVC Plastic

Model No.
PTS-04.W

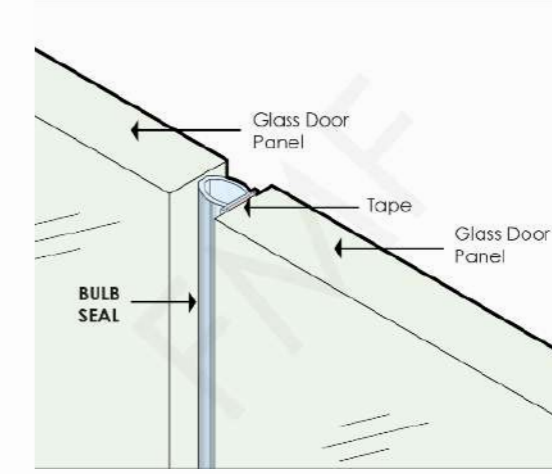


Fin Seal

Clear Fin Seal

Applicable for:
10-12mm Glass
Length: 98"
Construction Material:
PVC Plastic

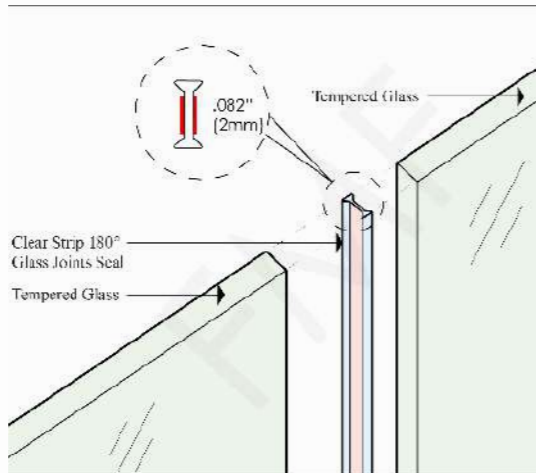
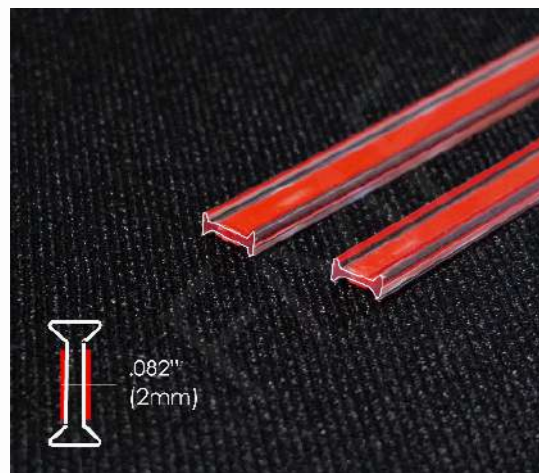
Model No.
PTS-09.F



Bulb Seal

Size:
6.5mmx7mm space
Applicable for:
10mm-12mm Glass
Length: 98"
Construction Material:
PVC Plastic

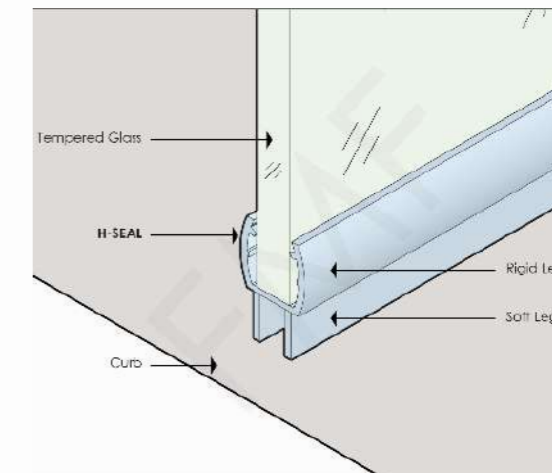
Model No.
PTS-07.B



Clear Strip 180° Glass Joints Seal

Pre-Applied Clear Adhesive Tape
Length: 120"
Construction Material:
PVC Plastic
Function:
Wrap Around Feature for Additional Glass Edge Protection, offers Easy Installation

Model No. **Size**
PTS-08.J 8mm
PTS-10.J 10mm
PTS-12.J 12mm



H-Seal

H-Style Shower Door Seal

Applicable for:
10mm Glass
Length: 98"
Construction Material:
PVC Plastic

Model No.
PTS-02.H



PTS-14.S



Clear L-Seal for Bypassing Shower Sliders

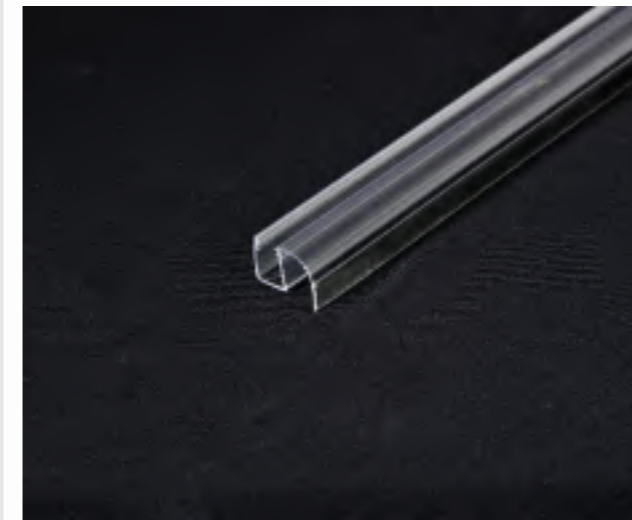
Applicable for: 10mm Glass

Length: 98"
Construction Material: PVC Plastic
Function: used for bypassing shower sliders

Model No.

PTS-13.L

The 98" length ensures complete coverage, effectively sealing the gaps between the glass and preventing water leakage, making it an essential addition to any shower



Bottom Door Seal for Bypassing Shower Sliders

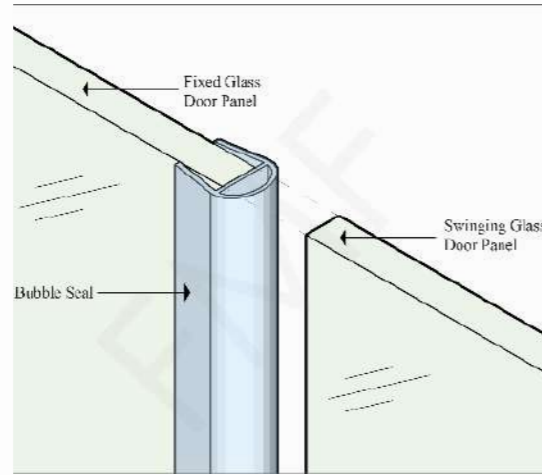
Applicable for: 10mm Glass

Length: 98"
Construction Material: PVC Plastic
Function: used for bypassing shower sliders

Model No.

PTS-14.S

The 98" length ensures complete coverage, effectively sealing the gaps between the glass and preventing water leakage, making it an essential addition to any shower installation.

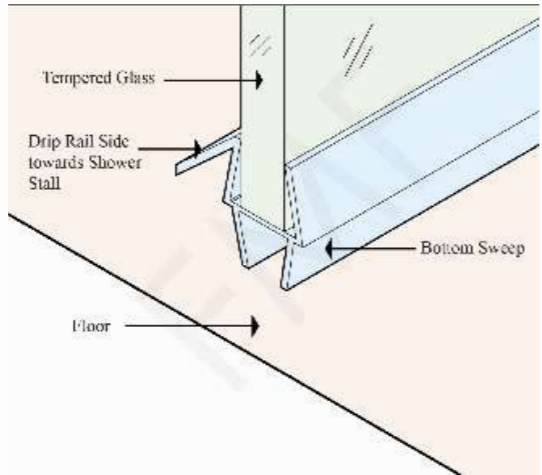
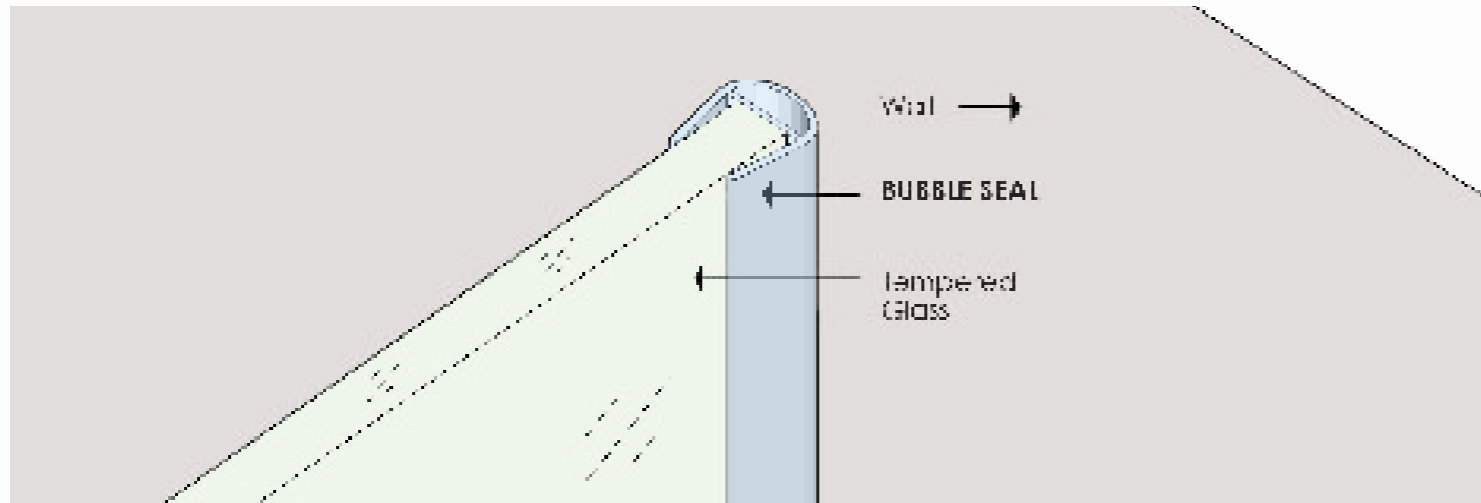
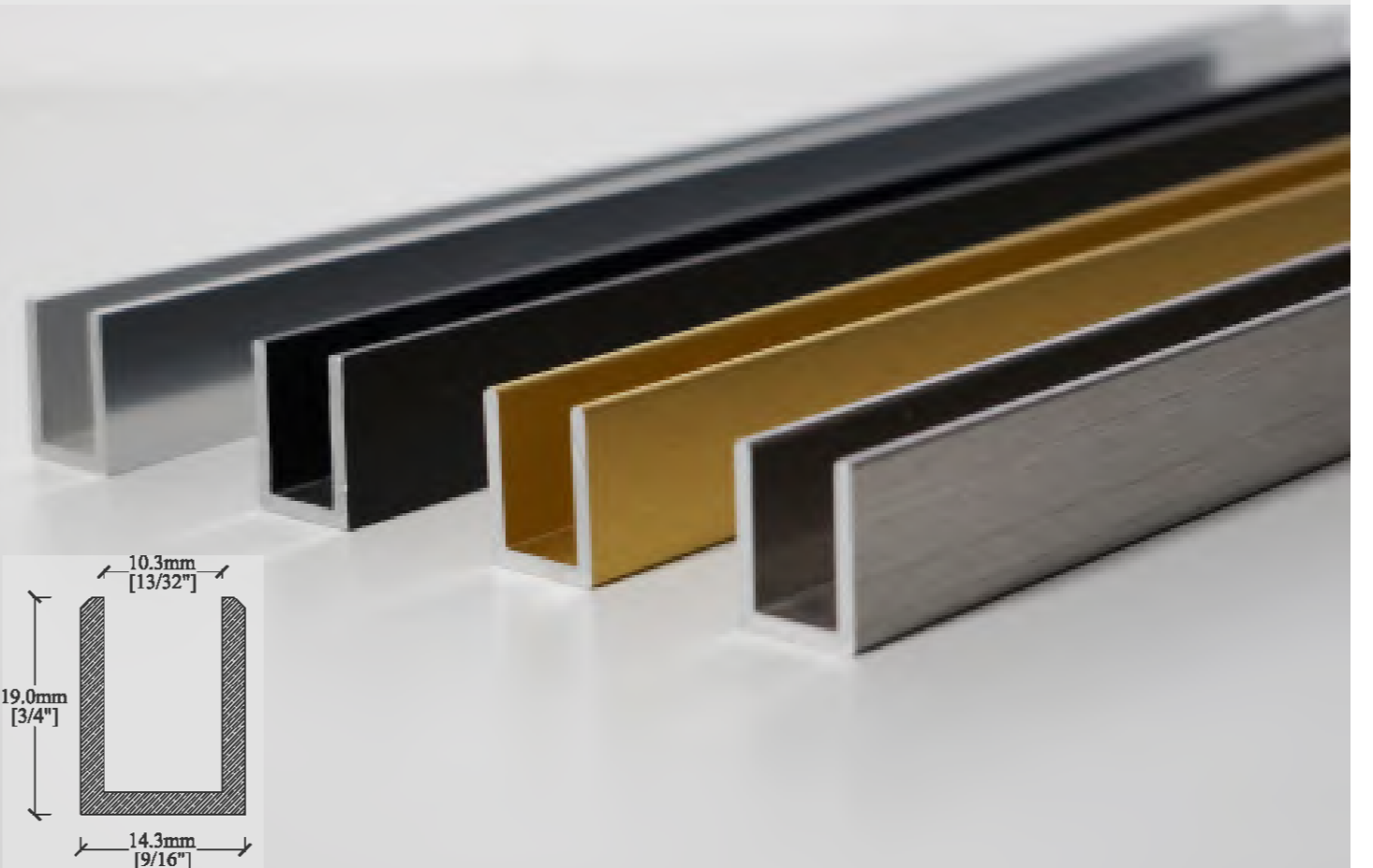


Bubble Seal

Applicable for:
10mm Glass
Length: 98"
Construction Material:
PVC Plastic
Function:
Mainly Used For Glass Sliding Doors

Model No.
PTS-03.B

Standard U-Channels



Bottom Sweep

Glass Shower Bottom Door Sweep

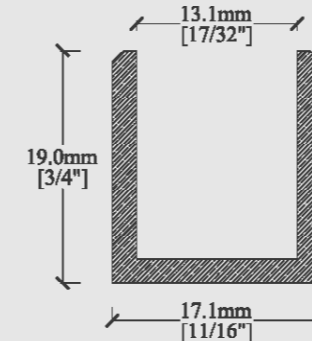
Types:
Standard / Ultraclear
Length: 98"
Construction Material:
PVC Plastic

Model No.	Size
PTS-05.S	10mm
PTS-06.S	10mm
PTS-12.S	12mm

Standard Aluminum U-Channels

Glazing Gasket Sold Separately
Construction Material: Aluminum
Applicable For: 10-12MM Tempered Glass
Size: 12' Length Available
Gap: 19mm

FMF U-Channels offer versatility and are used as a frame to secure fixed glass panels in shower areas or other glass partition areas. They are sharp in design and are lightweight.



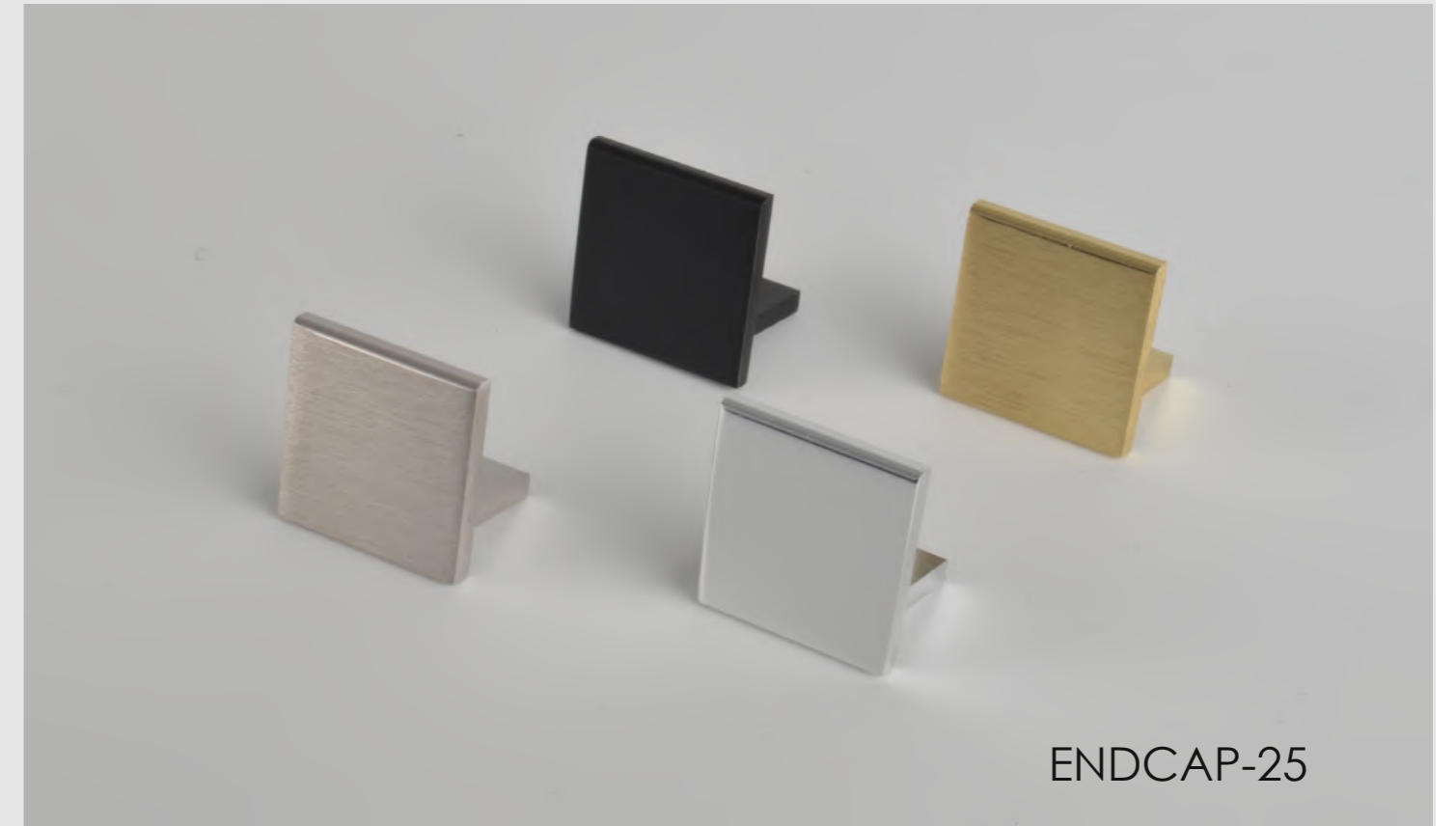
Applicable for:	Length	Brushed Nickel	Matte Black	Chrome	Satin Brass	Polished Nickel	Brushed Bronze	Oil Rubbed Bronze
10mm	120"	UC10-8.BN	UC10-8.BL	UC10-8.CH	UC10-8.SB	UC10-8.PN	-	UC10-8.RB
10mm	144"	UC10-12.BN	UC10-12.BL	UC10-12.CH	UC10-12.SB	-	UC10-12.BBZ	-
12mm	144"	UC12-12.BN	UC12-12.BL	UC12-12.CH	-	-	-	-

End Caps



ENDCAP-50

The End Caps for 10mm Shower U-Channel provide a sleek, professional finish for your shower installation. Designed for compatibility with both 3/8" (10mm) and 1/2" (12mm) glass, these end caps are made from high-quality 6063 aluminum alloy, ensuring durability and a perfect fit for easy installation.



ENDCAP-25



End Caps

The End Caps for 10mm Shower U-Channel provide a sleek, professional finish for your shower installation. Designed for compatibility with both 3/8" (10mm) and 1/2" (12mm) glass, these end caps are made from high-quality 6063 aluminum alloy, ensuring durability and a perfect fit for easy installation.

Model No.	Finish	Sizes
ENDCAP-12.BL	Matte Black	12
ENDCAP-12.BN	Brushed Nickel	12
ENDCAP-12.CH	Chrome	12
ENDCAP-25.BL	Matte Black	25
ENDCAP-25.BN	Brushed Nickel	25
ENDCAP-38.BL	Matte Black	38
ENDCAP-38.BN	Brushed Nickel	38
ENDCAP-50.BL	Matte Black	50
ENDCAP-50.BN	Brushed Nickel	50

Key Features:
 Glass Compatibility: Suitable for 3/8" (10mm) glass
 Material: Constructed from 6063 Aluminum Alloy for strength and longevity
 Easy Fit: Simple and efficient to install for a quality finish



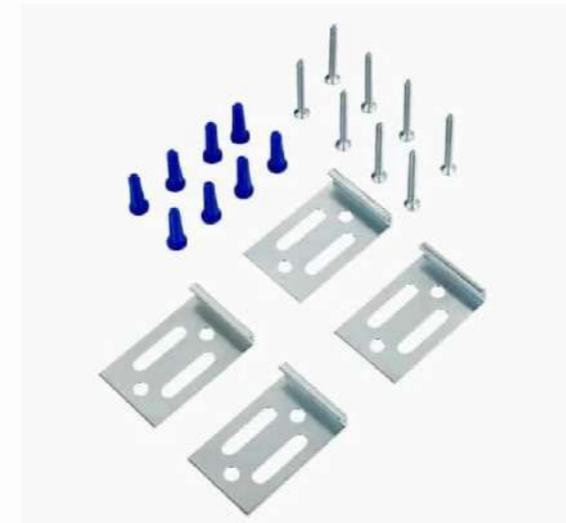
Mirror J-Channel

Backless Moulding
 Low Profile, Which Allows Maximum Mirror Exposure
 Applicable For: 5-6MM Mirrors
 Construction Material: Aluminium
 Stock Lengths: 144" Length
 Size: 1/4"

Model No.	Finish
-----------	--------

JCH-01.BN	Brushed Nickel
JCH-01.BL	Matte Black
JCH-01.CH	Chrome
JCH-01.SB	Satin Brass

FMF Mirror J-Channels are designed to support the mirrors from the bottom. They are an essential mounting hardware accessory to install frameless mirrors. They offer sturdiness, resulting in a seamless mirror installation. If you are looking for a clean and transparent look for bathroom mirrors, J-Channels are an excellent choice.

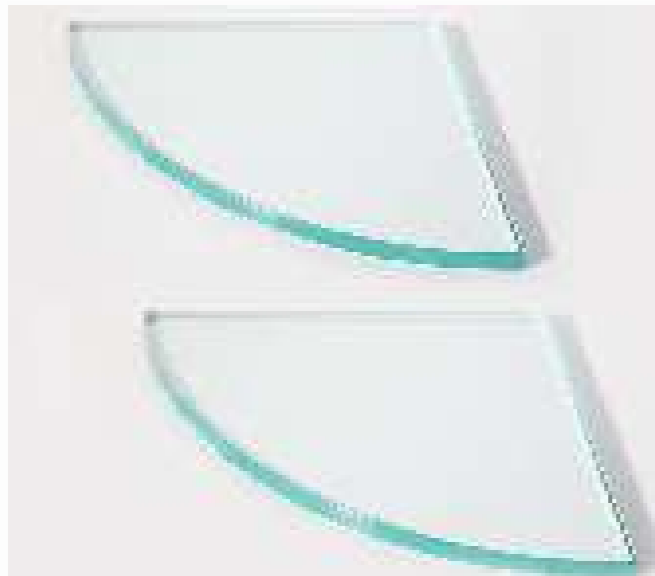


Zinc Plated Vancouver Clip

Applicable: 5 to 6mm Mirror
 Material: Brushed Zinc
 Slotted to Permit Height Adjustment

Model No.

MRC-05.BZ



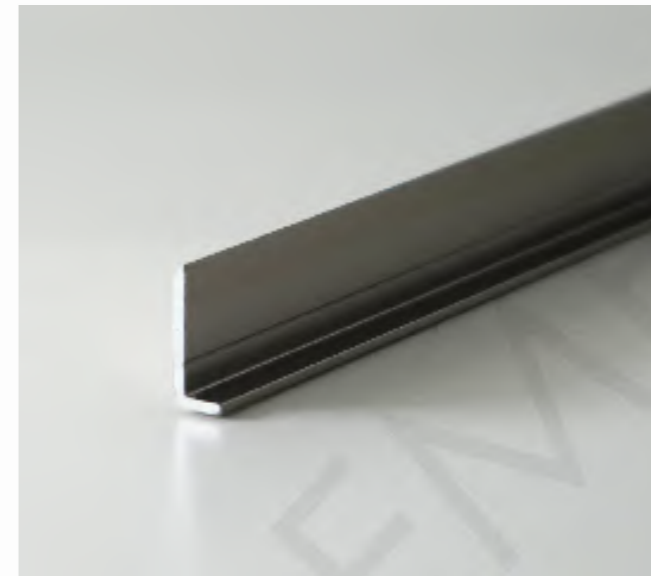
Glass Corner Shelves

Construction Material:
 10mm Clear Tempered Glass
 Can Be Cut To Size
 (In Mississauga Warehouse Location)

Model No.	Size
-----------	------

GS-8x8	8x8
GS-9x9	9x9

These glass shelves are suitable for the humid environments of a bathroom. The triangular shape fits well in corners and provides the most efficient storage for shampoos, soaps, etc. We carry glass shelves in 8" and 9" sizes to match your installation requirements.



Mirror L-Channel

Backless Moulding
 Low Profile, Which Allows Maximum Mirror Exposure
 Applicable For: 5-6MM Mirrors
 Construction Material: Aluminium
 Stock Lengths: 144" Length

Model No.	Finish
-----------	--------

JCH-02.BN	Brushed Nickel
JCH-02.BL	Matte Black
JCH-02.CH	Chrome
JCH-02.SB	Satin Brass

Aluminum Mirror L-Channels from FMF are light-weight and corrosion-resistant. Use them to mount mirrors in the bathroom area for an all-clear look. They are low profile with backless moulding, perfect to achieve an undisturbed look and to add value to any mirror decor in the bathroom area. Their L-shape allows for exposing bevelled edges.



Shower Threshold

Half-Moon Style
Applicable For: Any Glass
Construction Material: Aluminum
Size: 98" Length

Model No.	Finish
STH-01.BN	Brushed Nickel
STH-01.BL	Matte Black
STH-01.CH	Chrome
STH-01.SB	Satin Brass
STH-01.BBZ	Brushed Bronze
STH-03.CL	Clear

These shower door thresholds are used for preventing leaks and containing the water in the shower area. Made of aluminum, these shower door thresholds are available in impressive finishes to complement your theme of the shower area. Our half-moon-styled shower door thresholds are safe, and they do not cause any harm to the feet while using the shower stall.



Sloped Style Shower Door Threshold

Length: 98"
Assists Watershed Back Into Shower
Perfect for Flat or Out-Sloping Curbs
Use Monolithic Tempered Glass

Model No.	Finish
STH-02.BN	Brushed Nickel
STH-02.BL	Matte Black
STH-02.CH	Chrome
STH-02.SB	Satin Brass

These Sloped Style Shower Door Thresholds are mounted directly below the shower door to let the water drain back into the shower stall. Ideal for flat or out-sloping curbs, the rounded low contour of the Half Round Threshold will not harm feet. The Tapered Style Sill leaves a minimal sightline from the exterior of the shower.



New Product

Flat Bar

Construction Material: Aluminum
Applicable For: Glass Showers & Glass Panels
Stock Lengths: 144" Length
Thickness: 1.5mm; Width: 3/4"
Function: Multi-Purpose, Makes Beautiful Grid Pattern On Glass

Model No.	Finish
FBAR-3412.BL	Matte Black
FBAR-3412.CH	Chrome
FBAR-3412.SB	Satin Brass
FBAR-3412.BN	Brushed Nickel

Whether you're adding a touch of elegance to your shower enclosure or creating a unique partition, this flat bar provides the ideal solution.

Flat Bars

Unleash your creativity with our Aluminum Flat Bar, a versatile addition to your glass hardware tool-kit. Crafted for both glass showers and glass panels, this flat bar allows you to transform ordinary glass into a stunning grid pattern, elevating your interior design. With its multi-purpose design, the possibilities are endless.

Measuring a generous 144 inches (12 feet) in length, you'll have ample material to bring your vision to life. Crafted from high-quality aluminum, it ensures durability and longevity in any application. Plus, we back the quality of our product with a limited 1-year warranty for your peace of mind.

Support Bars



While we all root for a sophisticated look for our bathroom areas, as it is an essential part of an overall architectural design, one thing we cannot overlook is safety! In process of choosing sleek and modern designs for each component, that is required for shower panels and doors, safety and comfort should always be considered.

FMF hardware keeps that in mind while building products for shower doors. Our support bars are one of them. These bars are tailor-made to fit the needs of style, comfort, and safety. Durable and long-lasting enough for years, they are manufactured with premium quality standards. Our gleaming support bars fit well in today's lives. They are, available in round style, Applicable for glass to wall, These are fit for 10-12mm tempered glass and come with a 3-years limited warranty. Constructed of solid brass, Horizontal & vertical designs, 60" Length.



Glass-to-Wall Support Bracket

Round Horizontal Support Bracket
Glass-To-Wall
Construction Material: Solid Brass
Function: To Secure Unstable Fixed Panel To Wall

Model No.	Finish
SBRK-02.BN	Brushed Nickel
SBRK-02.BL	Matte Black
SBRK-02.CH	Chrome
SBRK-02.SB	Satin Brass

Our Glass-to-Wall support brackets and bars help to secure glass panels of the shower enclosures to the wall. Made of Solid Brass, these bars are able to sustain wet environments and provide durability to shower enclosures for several years. We carry four finishes for the support bars to match the design themes of the bathroom area.



SBRK-02.BL



135° Connector fitting for Glass Support Bar

Compatible With All SBRK Models
Construction Material: Solid Brass
Function: To Secure Unstable Fixed Panel

Model No.	Finish
SBRK-04.BN	Brushed Nickel
SBRK-04.BL	Matte Black
SBRK-04.CH	Chrome
SBRK-04.SB	Satin Brass

Our 135° Connector fittings for Glass Support Bars are made of Solid Brass, ensuring durability and the ability to sustain the moist environment of the bathroom area. They offer a unique and contemporary look to the shower enclosures with their design. The fittings fix the support bars enabling them to secure the glass panels to the wall or ceiling.

Glass-to-Ceiling Support Bracket

Round Vertical Support Bracket
Construction Material: Solid Brass
Function: To Secure Unstable Fixed Panel To Ceiling

Model No.	Finish
SBRK-01.BN	Brushed Nickel
SBRK-01.BL	Matte Black
SBRK-01.CH	Chrome
SBRK-01.SB	Satin Brass

They are available in four finishes to complement the design theme of your bathroom & match with other shower door hardware. Their round shape uplifts the appearance of the shower enclosure.



Support Bar

Round Support Bar, 48" Stock Length
 Construction Material: Solid Brass
 Function: To Secure Unstable Fixed Panel To Wall or Ceiling

Model No.	Finish
SBRK-05.BN	Brushed Nickel
SBRK-05.BL	Matte Black
SBRK-05.CH	Chrome
SBRK-05.SB	Satin Brass

Our Glass-to-Ceiling/Wall Support Bars stabilize fixed glass panels in shower enclosures that do not touch the ceiling. Made of Solid Brass, they are durable, resistant to wet environments, and rust-proof.



SBRK-03.SB

90° Connector fitting for Glass Support Bar

Compatible With All SBRK Models
 Construction Material: Solid Brass
 Function: To Secure Unstable Fixed Panel

Model No.	Finish
SBRK-03.BN	Brushed Nickel
SBRK-03.BL	Matte Black
SBRK-03.CH	Chrome
SBRK-03.SB	Satin Brass



FMF 90° Connector fittings for Glass Support Bars are an excellent choice for offering support to the glass. They match the design requirements and coordinate with the header support bars and other shower hardware components with their Four finishes. These fittings are one of the popular choices amongst builders and architects.



Round Glass-to-Ceiling Support Bar Kit

Round Series Support Bar Kit
Applicable For: 10-12MM Tempered Glass / Construction Material: Solid Brass/304 Grade Stainless Steel / Shipping Weight: 2 lbs (including 48" Tubular 19MM Ø Bar) / Function: Secures unstable glass fixed panels to the ceiling / Accessories: Fitting Component, Screws, anchors, Allen Key

Model No.	Finish
SBRK-10.BL	Matte Black
SBRK-10.BN	Brushed Nickel
SBRK-10.CH	Chrome
SBRK-10.SB	Satin Brass

The Tubular Ceiling-to-Glass Support Bar Kit is designed to securely fasten 10-12mm tempered glass fixed panels to the ceiling. Made from a combination of solid brass and 304-grade stainless steel, it provides durable support for unstable glass panels, ensuring stability and safety in both residential and commercial settings.

This kit includes a 48" tubular 19mm Ø bar along with all necessary accessories such as fitting components, screws, anchors, and an Allen key for easy installation.

Round Glass-to-Wall Support Bar Kit

Round Glass-to-Wall Support Bar Kit
Tubular Wall-to-Glass Support Bar Kit / Applicable For: 10-12MM Tempered Glass / Construction Material: Solid Brass/304 Grade Stainless Steel / Shipping Weight: 2 lbs (including 48" Tubular 19MM Ø Bar) / Function: Secures unstable glass fixed panels to the wall / Accessories: Fitting Component, Screws, anchors, Allen Key

Model No.	Finish
SBRK-11.BL	Matte Black
SBRK-11.BN	Brushed Nickel
SBRK-11.CH	Chrome
SBRK-11.SB	Satin Brass

The Tubular Wall-to-Glass Support Bar Kit is designed to provide stable support for 10-12mm tempered glass fixed panels by securing them to the wall. Constructed from solid brass and 304-grade stainless steel, it ensures long-lasting durability and effective stabilization for glass installations in both residential and commercial settings.

The kit includes a 48" tubular 19mm Ø bar, along with all the necessary accessories such as fitting components, screws, anchors, and an Allen key for easy assembly.



Wall Mount Support Bar Kit

Wall Mount Support Bar Kit Applicable For: 10-12MM Tempered Glass / Construction Material: Solid Brass/304 Grade Stainless Steel / Shipping Weight: 2 lbs (including 42" Square 19MM Bar) / Function: Secures unstable glass fixed panels to the wall / Accessories: Fitting Component, Screws, anchors, Allen Key

Model No.	Finish
SBRK-21.BL	Matte Black
SBRK-21.BN	Brushed Nickel
SBRK-21.CH	Chrome
SBRK-21.SB	Satin Brass

The Square Wall-to-Glass Support Bar Kit is designed to provide stability for 10-12mm tempered glass fixed panels by securing them to the wall. Constructed with a combination of solid brass and 304-grade stainless steel, it ensures strong, reliable support, making it ideal for both residential and commercial glass installations.

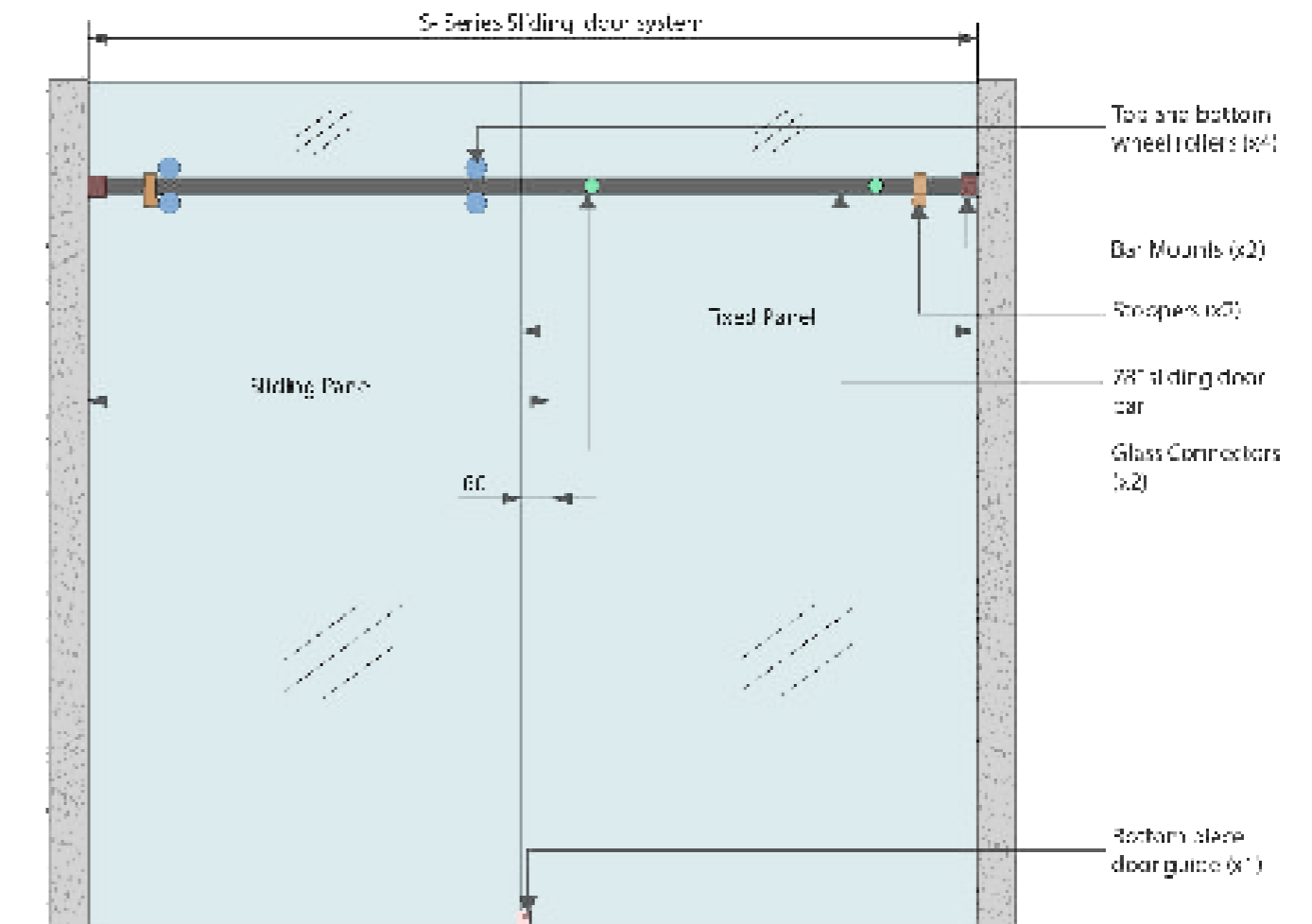
This kit includes a 42" square 19mm bar along with all necessary components, such as fitting parts, screws, anchors, and an Allen key for easy installation.



Sliding Door System Kits



Sliding Door System Kits



Discover a selection of complete kits for your sliding doors. Our sliding door kits are easy to install, designed for heavyweight enclosures, and offer maximum durability. Check out our different styles of sliding door system kits. Choose R-Series Sliding Door Kit for heavier shower door enclosures. Equipped with a round bar and larger wheels to provide safety, combined with elegance for your shower enclosure. These are fit for 10-12mm tempered glass and come with a 1-year limited warranty.

Our S-Series sliding door kit is built for a modern and simple design with a small profile wheel. The kit is perfect for your sliding door enclosures. When it comes to shower door hardware, FMF Glass Hardware is your best choice. All our hardware products are manufactured by expert and trained professionals, considering the modern demands of consumers. Enriching your shower in the bathroom is our job! Maximum opening width 72", maximum opening height: 88", maximum weight: 90 kg.



S-SERIES Sliding Door kit

Construction Material: 304 Grade Stainless Steel
Included With Kit: 4 Wheel Rollers, 2 Door Stoppers, 2 Bar Mounts, 2 Glass Connectors, 1 Door Guider, 78" Square Serenity Bar
Function: Door Slides 180° Left & Right. Fixed Panel Is Secured In Position
Maximum Door Weight: 90 KG

Model No.	Finish
SSK-02.BN	Brushed Nickel
SSK-02.BL	Matte Black
SSK-02.CH	Chrome
SSK-02.SB	Satin Brass
SSK-02.BBZ	Brushed Bronze

Made with Stainless Steel, they are durable and are able to withstand the impact of daily usage of the sliding door. Their minimalistic construction gives an unobstructed view of the glass sliding door. The kits come with wheel rollers, door stoppers, bar mounts, connectors, square bar, etc.



90° Glass Adaptor

Construction Material: 304 Grade Stainless Steel
Function: To Secure A 90° Fixed Panel To A Serenity Sliding Door Kit
Accessories: Screw

Model No.	Finish
SSK-04.BN	Brushed Nickel
SSK-04.BL	Matte Black
SSK-04.CH	Chrome
SSK-04.SB	Satin Brass

Choose our Serenity Sliding Door 90° Adaptors to secure a 90° fixed panel to a serenity sliding door kit. We carry four finishes for the adaptor to match the theme and enhance the design of your sliding door area.



By-Pass Sliding Door Kit

Construction Material: 304 Grade Stainless Steel
Included With Kit: 8 Wheel Rollers, 2 Door-Stop-pers, 2 Bar Mounts, Double Door Guider, 78" Double Rectangular Bar
Function: Bi-Directional Sliding Door that Slides 180° Left & Right / Maximum Door
Weight: 40KG per Door

Model No.	Finish
SSK-06.BL	Matte Black
SSK-06.BN	Brushed Nickel
SSK-06.CH	Chrome
SSK-06.SB	Satin Brass

The By-Pass Series Sliding Door Kit (Model: SSK-06) is designed for 8-10mm tempered glass and features durable 304-grade stainless steel construction. The system includes 8 wheel rollers, 2 door stoppers, 2 bar mounts, a double door guider, and a 78" double rectangular bar



S-SERIES Sliding Door Bar only

Serenity Sliding Door Bar Only
Construction Material: 304 Grade Stainless Steel

Model No.	Finish
SSK-03.BN	Brushed Nickel
SSK-03.BL	Matte Black
SSK-03.CH	Chrome
SSK-03.SB	Satin Brass

S-Series Sliding Door Bars are made of premium quality Stainless Steel. They are an essential component of our sliding door system kit. They are strong, durable, and capable of supporting the railing systems for a long time. We carry multiple finishes of sliding door bars to complement the design of your project.



R-SERIES Sliding Door Kit

Construction Material: 304 Grade Stainless Steel
Included With Kit: 4 Wheel Rollers, 2 Door Stoppers, 2 Bar Mounts, 2 Glass Connectors, 1 Door Guider, 78" Round Bar
Maximum Door Weight: 90 KG
Function: Door Slides 180° Left & Right. Fixed Panel Is Secured In Position
Accessories: Screws, Anchors, Allen-Wrench, Fabrica-tion Diagram

Model No.	Finish
RSK-02.BN	Brushed Nickel
RSK-02.BL	Matte Black
RSK-02.CH	Chrome

Sliding doors are one of the popular choices for contemporary renovations of residential and commercial properties. We carry three attractive finishes for these kits to coordinate with the design themes of your project.



S-Series Sliding Door Fitting

Extra/ Spare Glass Holder Component
Function: Holds Glass Panel to Sliding Bar
Applicable For: SSK Series FMF Sliding Shower Kits
Construction Material: 304 Grade Stainless Steel

Model No.	Finish
SSK-05.BN	Brushed Nickel
SSK-05.BL	Matte Black
SSK-05.CH	Chrome

This Extra Glass Holder Component is the perfect addition to your shower sliding kit, ensuring a reliable and sturdy connection between the glass panel and sliding bar. This component is built to withstand the rigors of daily use while maintaining a sleek and modern appearance.

FMF

company made by professionals,
for professionals.

Mississauga

7205 Tranmere Drive, Unit 9,
Mississauga ON, L5S 1N4.

info@fmfglasshardware.com
905.819.6969

Woodbridge

7611 Pine Valley Drive,
Unit 8, Woodbridge ON, L4L 0A2.

info@fmfhardwaresolutions.com
416.775.9507

Concord

8161 Keele Street, Unit 2
Concord Ontario L4K 1Z3

info@fmfhardwaresupply.com
905.915.4649