

2026 CATALOG

Shower Hardware
Railing Hardware
Architectural Hardware



FMF | GLASS HARDWARE

Made by
Professionals,
for **Professionals**

www.fmfglasshardware.com

About Us

The FMF Team

FMF is a proud Canadian company managed by a team of professionals with 20+ years of industry experience. We understand the importance of quality, durability, and essence. Currently located in three locations across the GTA we would be delighted to work alongside you.

Our mission is to provide the highest quality of products and customer service to you so you can provide the same to yours. We are proud to stand behind our products. A quick look at what FMF offers: Shower, Railing, Commercial, and Architectural hardware in Satin Brass, Matte Black, Chrome, Brushed Nickel, and Polished Nickel finishes; Online ordering and Walk-in orders; Cut-to-size services; Stock glass doors (Swing & Sliding); and Lock systems for glass doors.



FMF Company History

Established in 2015 FMF opened its first in-person store in Woodbridge, Ontario. Initially, FMF was just a small glass hardware supplier only importing essential shower hardware consisting primarily of hinges, handles, and clamps.

However, due to the FMF team's outstanding attention to customer service and quality products the Woodbridge store rapidly gained popularity across the Greater Toronto Area (GTA). As the variety of valued customers continued to expand, FMF was determined to meet increasing customer demands. FMF Started supplying harder-to-find specialty items, in addition to architectural & railing hardware.

With ever-growing inventory more storage space was needed. In 2018 FMF opened its second much larger location in Mississauga. This allowed the team at FMF to provide better service to customers further away on the west side of the GTA while being able to carry a wider range of inventory at the same time. FMF's continued dedication to accommodating customers resulted in the opening of a third location in 2022, further East in the GTA, in Concord.

Today FMF now offers an extensive range of products in several finishes. The FMF team works vigorously 6 days a week to provide the highest quality of customer service and products to customers throughout Canada.

Visiting an FMF Store In-Person

FMF is presently located at three convenient locations across the GTA. Upon entering any of the three locations you can expect an industry-leading level of friendly and knowledgeable customer service as well as a comprehensive display of our products. You can find our in-person stores here:

- FMF Glass Hardware Mississauga: 7205 Tranmere Drive, Unit 9
- FMF Hardware Solutions Woodbridge: 7611 Pine Valley Drive, Unit 8
- FMF Hardware Supply Concord: 8161 Keele Street, Unit 2

Rapid International Delivery

We value all FMF customers, even if our stores are located too far away to visit in person. FMF goes above and beyond to offer prompt delivery to all customers across USA and Canada.

Table of Contents:

LOCATIONS	6
SHOWER DOOR HINGES	10
PULL HANDLES	28
TOWEL BARS	32
DOOR KNOBS	40
SHOWER DOOR GLASS CLAMPS	46
SLEEVE OVER GLASS CLAMPS	51
GLASS SHELF BRACKETS	51
HEADERS	58
GLAZING TAPES	62
SEALS & WIPES	64
STANDARD U-CHANNELS	71
SHOWER MIRROR CLIPS	75
FLAT BARS	76
SUPPORT BARS	78
SLIDING DOOR SYSTEM KITS	86
STOCK SHOWER DOORS & RAILING PANELS	90
INSTALLATION ACCESSORIES	94
GLASS HOOKS	99
BOLTS & SCREWS	100
ARCHITECTURAL HARDWARE	
HYDRAULIC PATCH FITTING HINGES	108
HYDRAULIC PATCH FITTING KITS	112
DOOR RAIL SYSTEMS	114
G-SERIES HYDRAULIC HINGES	118
PATCH FITTINGS	120
COMMERCIAL DOOR HANDLES	127

GLASS DOOR LOCKS	134
POOL GATE HINGES	142
GLASS FENCE LOCKS	144
MECHANICAL U-CHANNELS	149
COMMERCIAL U-CHANNELS	152
GLASS SLIDING DOOR SYSTEMS	154
TOOLS, DOOR STOPPERS & GASKETS	160
RAILING HARDWARE	
RAILING POSTS	165
GLASS RAILING STANDOFFS	168
ROUND CAP HANDRAIL & FITTINGS	174
SQUARE CAP HANDRAIL & FITTINGS	180
25 X 21MM CAP HANDRAIL & FITTINGS	186
ROUND HANDRAIL & FITTINGS	192
SQUARE HANDRAIL & FITTINGS	200
RECTANGULAR HANDRAIL & FITTINGS	206
BASE SHOE RAILING SYSTEM	203
SELF-CLOSING GATE HINGES	216
GLASS RAILING POST ATTACHMENTS	218
GLASS RAILING CLAMPS	224
GLASS RAILING SPIGOTS	234
MINI-POSTS & RAILING TEMPLATES	238
HANDRAIL BRACKETS	240



Our Locations

MISSISSAUGA, CONCORD & WOODBRIDGE



Office and Shop Culture:

Our office and shop culture is one of teamwork, collaboration, and continuous improvement. We believe that by working together, we can achieve great things. We have a team of experienced professionals who work closely together to ensure that our customers receive the best service possible.

We also encourage our employees to share their ideas and suggestions to help improve our products and processes. We are constantly looking for ways to improve our products, services and internal processes to ensure that we are providing the best to our customers.



Warehouses:

Our main warehouse and distribution center, located in Mississauga, serves as the hub for all of our operations. This location stocks a wide range of glass hardware products including automatic sliding door systems, glass railing systems, glass clamp systems, glass stand-off systems, smart glass technology, and hardware in unique finishes.

This location and all other locations are equipped with state-of-the-art technology, allowing us to fulfill orders quickly and efficiently. We also have a team of experienced professionals available to provide support and advice for any projects.



Service:

FMF Glass Hardware is your one-stop-shop for all your glass hardware needs. With three warehouse locations in Concord, Mississauga, and Woodbridge, we are able to serve customers throughout the Greater Toronto Area and beyond. Our commitment to quality, experienced professionals, and teamwork culture ensures that we are providing the best products and services to our clients.

We are dedicated to providing our customers with quality products, excellent customer service and professional support. With our wide range of products and experienced team, we are confident that we can help you to find the perfect solutions for your projects.

Shower Door Hardware

Modern shower and bath enclosures start with the idea or vision of an elegant and functional bathing environment that adds beauty and value to your home.

Turning ideas into reality requires not only high-quality hardware, but also a design or plan to integrate the new enclosure into an existing environment.

We provide support in two critical areas of the construction of the shower enclosure. First, you need to evaluate the design.

Does it fit the existing realm, or does it need a major change?

Second, the hardware must be compatible with the intended glazing and layout. Recommendations on which hinges are compatible are provided. A design Plan helps you choose the best hardware. These are fit for 10-12mm tempered glass and come with upto 3-years limited warranty.

All of this is part of our commitment to providing with the best products as well as the highest level of service.



Installation tips

- Measure Twice, Cut Once

Accurate measurement is key to a successful glass installation. Make sure to double-check your measurements before cutting the glass to ensure a perfect fit.

- Use The Right Tools

Invest in high-quality tools designed specifically for glass installation. Cheap tools can break easily and can result in a poor-quality installation.

- Engage With Your Clients

If customers have questions, address them live on social media in addition to troubleshooting over the phone.

- Follow Manufacturer's Instructions

Always read and follow the manufacturer's instructions when installing glass products. Ignoring these instructions can result in improper installation and potential safety hazards.

- Use Proper Support

Make sure to use proper support when installing glass to ensure that it is held securely in place. Not using enough support can lead to the glass breaking or falling out.

- Use The Right Sealants

Choose the right sealants for the job to ensure a proper seal and prevent leaks. Make sure to follow the manufacturer's recommendations for the best results.

- Use Tempered Glass For Safety

Consider using tempered glass for applications where safety is a concern, such as shower doors and patio doors. Tempered glass is stronger and less likely to shatter than regular glass.

- Regularly Maintain Glass Installations

To ensure that glass installations remain in good condition, make sure to regularly clean and inspect them for signs of damage. This can help extend the lifespan of the installation and prevent potential accidents.

HARDWARE FINISHES

are an important aspect of any construction or renovation project, as they not only serve a functional purpose, but also contribute to the overall aesthetic of a space. FMF Glass Hardware offers a wide range of finishes for their hardware products, including satin brass, matte black, brushed stainless steel, polished nickel, bright anodized, and chrome.



FMF Glass Hardware offers a curated selection of finishes to enhance any space. Satin brass brings a soft, luxurious warmth, ideal for classic appeal, while matte black offers a modern, sophisticated edge for minimalistic designs. Brushed stainless steel delivers durable, corrosion-resistant options suited for heavy use, perfect for modern aesthetics. Polished nickel provides a shiny, glamorous look, versatile for various styles, and chrome adds a sleek, contemporary shine to both commercial and residential settings.



Shower Door Hinges

If you are looking to replace your old shower curtains with a bright and modern glass shower door, you've come to the right place! Depending on the shape and size layout of your bathroom, it is important to consider how your shower door will function in the space.

Our shower door hinges are constructed of solid brass for 10mm – 12mm tempered safety glass and they come with a limited 1-year warranty. The FMF Shower Door Hinges are an excellent choice for styling your bathroom. Here's why!

- Swings 90° In + 90° Out, providing safe entry to children and the elderly
- Easy to clean and maintain
- Minimalistic and appealing style for your bathroom

Number of Hinges	Hinge Type	Weight	Door Width
Two	Standard Duty	80lbs/36kg	28"/711mm
Three	Standard Duty	120lbs/54kg	32"/813mm
Two	Heavy Duty	110lbs/50kg	36"/914mm
Three	Heavy Duty	140lbs/63kg	36"/914mm



180° Standard Glass-to-Glass Hinge

Glass Fabrication: Refer To Attached Diagram on website
 Construction Material: Solid Brass
 Function: Swings 90° In + 90° Out, Self-Centering Within 15° Of Closed Position
 Maximum Door Weight: 45 KG Per Pair

Model No.	Finish
G203.BN	Brushed Nickel
G203.BL	Matte Black
G203.CH	Chrome
G203.PS	Polished Stainless
G203.SB	Satin Brass
G203.BBZ	Brushed Bronze
G203.PN	Polished Nickel
G203.RB	Oil Rubbed Bronze

These hinges are ideal for large-scale projects such as the installation of shower doors at hotels or simple projects such as the installation of shower doors at residential properties. The design flexibility in these hinges enables architects and contractors to create a classic look for the bathroom space.

180° Glass to Glass Hinges



V203.SB

180° Heavy Duty Glass-to-Glass Hinge

Glass Fabrication: Refer To Attached Diagram on website
 Construction Material: Solid Brass
 Function: Swings 90° In + 90° Out, Self-Centering Within 15° Of Closed Position
 Maximum Door Weight: 50 KG Per Pair

Model No.	Finish
V203.BN	Brushed Nickel
V203.BL	Matte Black
V203.CH	Chrome
V203.SB	Satin Brass
V203.PN	Polished Nickel
V203.BBZ	Brushed Bronze
V203.RB	Oil Rubbed Bronze

These hinges enable the glass doors to open and close at a 90-degree angle. Our variety of finishes for the hinges ensures that you get to choose from several options to match your décor requirements. Made of Solid Brass, these hinges are durable, secure, and long-lasting for several years.



180° Bevelled Glass-to-Glass Hinge

Glass Fabrication: Refer To Attached Diagram on website
 Construction Material: Solid Brass
 Function: Swings 90° In + 90° Out, Self-Centering Within 15° Of Closed Position
 Maximum Door Weight: 45 KG Per Pair

Model No.	Finish
G303.BN	Brushed Nickel
G303.BL	Matte Black
G303.CH	Chrome

These hinges are commonly used in bathrooms of residential and commercial hotel properties. FMF shower door hinges associate value with performance and durability. Offered in Bevelled style, the hinges provide design flexibility to cover the majority of installation requirements.



180° Adjustable Glass-to-Glass Hinge

Glass Fabrication: Refer To Attached Diagram on website
 Construction Material: Solid Brass
 Function: Swings 90° In + 90° Out, Self-Centering Within 15° Of Closed Position
 Maximum Door Weight: 45 KG Per Pair

Model No.	Finish
G209.CH	Chrome
G209.BL	Matte Black

Made of Solid Brass, the hinges are resistant to water and rust. They are also well-known for their durability and strength. These hinges give an exceptionally all-visible look to your glass shower doors. They are used to join two adjacent glass panels for accomplishing an all-glass shower door installation project.

135° Glass To Glass Hinges



G206.PN



135° Adjustable Glass-to-Glass Hinge

Glass Fabrication: Refer To Attached Diagram on website
 Construction Material: Solid Brass
 Function: Swings 90° In + 90° Out, Self Centering Within 15° Of Closed Position
 Maximum Door Weight: 45 KG Per Pair

Model No.	Finish
G206.BN	Brushed Nickel
G206.BL	Matte Black
G206.CH	Chrome
G206.PN	Polished Nickel
G206.SB	Satin Brass
G206.BBZ	Brushed Bronze
G206.RB	Oil Rubbed Bronze

If you are looking for something unique in your bathroom décor, try our hinges for a refreshing look. The hinges, designed for neo-angle glass shower doors, complement the all-glass appeal. Our construction of hinges in Solid Brass promises durability and strength.



135° Bevelled Glass-to-Glass Hinge

Glass Fabrication: Refer To Attached Diagram on website
 Construction Material: Solid Brass
 Function: Swings 90° In + 90° Out, Self Centering Within 15° Of Closed Position
 Maximum Door Weight: 45 KG Per Pair

Model No.	Finish
G302.BN	Brushed Nickel
G302.CH	Chrome

A variety of finishes of these hinges give design flexibility for matching multiple themes of bathroom décor. The hinges are self-centering with 15 degrees of closed position. Made of Solid Brass, the hinges provide durability and minimal maintenance. They are effective in securing the glass holdings with each other.



135° Standard Glass-to-Glass Hinge

Glass Fabrication: Refer To Attached Diagram on website
 Construction Material: Solid Brass
 Function: Swings 90° In + 90° Out, Self Centering Within 15° Of Closed Position
 Maximum Door Weight: 45 KG Per Pair

Model No.	Finish
G202.BN	Brushed Nickel
G202.BL	Matte Black
G202.CH	Chrome

These hinges enable the construction of glass shower enclosures with angled panels. We provide Solid Brass hinges to ensure safety, durability, and longevity. Our varied range of finishes in hinges allows you to create and establish the theme of the bathroom space with ease.



135° Heavy Duty Glass-to-Glass Hinge

Glass Fabrication: Refer To Attached Diagram on website
 Construction Material: Solid Brass
 Function: Swings 90° In + 90° Out, Self Centering Within 15° Of Closed Position
 Maximum Door Weight: 50 KG Per Pair

Model No.	Finish
V202.BN	Brushed Nickel
V202.BL	Matte Black
V202.CH	Chrome

These Hinges are perfect for securing glass panels of a shower door system. They are strong and durable and can sustain the heavy weight of shower doors as they are made of Solid Brass. They offer formability and structure to the glass shower doors with their performance.

90° Glass-to-Glass Hinges



For easy functioning of your shower door, choose FMF 90° Glass-to-Glass hinges. Available in two types – Heavy duty and standard, these hinges are perfect for 10- 12mm tempered glass of your shower enclosures coming with a limited 1-year warranty. They are made to support regular glass doors to heavier ones, based on your design specifications of the bathroom.

Their construction in Solid Brass enables the hinges to withstand the pressure for a long time, ensuring durability. They require minimal maintenance. With these hinges, the shower glass door can open 90 degrees in and out with a closed position at 15 degrees. Choose our glass-to-glass hinges for optimum performance of your shower door!



90° Standard Glass-to-Glass Hinge

Glass Fabrication: Refer To Attached Diagram on website
 Construction Material: Solid Brass
 Function: Swings 90° In + 90° Out, Self-Centering Within 15° Of Closed Position
 Maximum Door Weight: 45 KG Per Pair

Model No.	Finish
G204.BN	Brushed Nickel
G204.BL	Matte Black
G204.CH	Chrome
G204.PN	Polished Nickel
G204.SB	Satin Brass
G204.BBZ	Brushed Bronze
G204.RB	Oil Rubbed Bronze

The design of the hinges gives the shower area a clean and modern look. These hinges can provide easy movement of the glass doors with opening and closing at a 90° angle. Made with Solid Brass, they provide durability, rust resistance, allowing them to function for several years.



90° Heavy Duty Glass-to-Glass Hinge

Glass Fabrication: Refer To Attached Diagram on website
 Construction Material: Solid Brass
 Function: Swings 90° In + 90° Out, Self-Centering Within 15° Of Closed Position
 Maximum Door Weight: 50 KG Per Pair

Model No.	Finish
V204.BN	Brushed Nickel
V204.BL	Matte Black
V204.CH	Chrome
V204.BBZ	Brushed Bronze
V204.SB	Satin Brass

These glass-to-glass hinges effectively connect the glass panel to the swinging glass door. We carry three beautiful finishes to coordinate with your demanding design needs. The hinges enable the glass doors to open and close smoothly at a 90-degree angle.

90° Wall Mount Hinges



Our industry-standard wall mount hinges are available in several finishes, such as Brushed Nickel, Chrome, and Matte Black to suit best your design specifications. We also carry a varied range of wall mount hinges, such as Heavy Duty, H-Plate, Bevelled, etc., and they are capable to meet your expectations of supporting glass shower doors. These are fit for 10-12 MM tempered glass and come with a 1-year limited warranty.

Designed especially for shower glass doors of the bathroom area, these hinges allow you to create a door that opens and closes automatically at 90 degrees with self-centering at 15 degrees. FMF Glass Hardware chooses high-quality materials with the most exceptional product technology for producing hardware products.



H-Plate Wall Mount Hinge

Glass Fabrication: Refer To Attached Diagram on website
 Construction Material: Solid Brass
 Function: Swings 90° In + 90° Out, Self Centering Within 15° Of Closed Position
 H-Style Back-Plate
 Maximum Door Weight: 45 KG Per Pair

Model No.	Finish
G200.BN	Brushed Nickel
G200.BL	Matte Black
G200.CH	Chrome
G200.SB	Satin Brass
G200.BBZ	Brushed Bronze
G200.RB	Oil Rubbed Bronze

These Hinges are perfect for securing glass panels of a shower door system. They are strong and durable and can sustain the heavy weight of shower doors as they are made of Solid Brass. They offer formability and structure to the glass shower doors with their performance.



Offset Wall Mount Hinge

Glass Fabrication: Refer To Attached Diagram on website
 Construction Material: Solid Brass
 Function: Swings 90° In + 90° Out, Self Centering Within 15° Of Closed Position
 Maximum Door Weight: 45 KG Per Pair

Model No.	Finish
G205.BN	Brushed Nickel
G205.BL	Matte Black
G205.CH	Chrome
G205.SB	Satin Brass
G205.BBZ	Brushed Bronze

Our series of hinges combines elegant design with premium quality. The offset wall-mount hinges give an undisturbed look to the shower area. Choose from our number of beautiful finishes for wall mount hinges to enhance the décor of your bathroom.



Standard Wall Mount Hinge

Glass Fabrication: Refer To Attached Diagram on website
 Construction Material: Solid Brass
 Function: Swings 90° In + 90° Out, Self Centering Within 15° Of Closed Position
 Full Back-Plate
 Maximum Door Weight: 45 KG Per Pair

Model No.	Finish
G201.BN	Brushed Nickel
G201.BL	Matte Black
G201.CH	Chrome
G201.SB	Satin Brass
G201.PN	Polished Nickel

These hinges are self-centering and are able to accommodate the opening and closing of the shower door at a 90° angle. We carry multiple finishes of the hinges to match your overall design of the bathroom area. Get our Standard Wall Mount Hinges for easy movement of shower doors in the bathroom.



Bevelled Wall Mount Hinge

Glass Fabrication: Refer To Attached Diagram on website
 Construction Material: Solid Brass
 Function: Swings 90° In + 90° Out, Self Centering Within 15° Of Closed Position
 90° Bevelled Glass-To-Wall Hinge
 H-Style Back-Plate
 Maximum Door Weight: 45 KG Per Pair

Model No. Finish

G300.BN	Brushed Nickel
G300.BL	Matte Black
G300.CH	Chrome

We carry a stock of several finishes for our hinges to select the one that coordinates with the other hardware design and colour of the bathroom. These Bevelled hinges are wall-mounted with an H-style back plate to provide maximum capacity and strength. They require very less amount of effort in installations.



Heavy-Duty H-Plate Wall Mount Hinge

Glass Fabrication: Refer To Attached Diagram on website
 Construction Material: Solid Brass
 Function: Swings 90° In + 90° Out, Self Centering Within 15° Of Closed Position
 H-Style Back-Plate
 Maximum Door Weight: 50 KG Per Pair

Model No. Finish

V200.BN	Brushed Nickel
V200.BL	Matte Black
V200.CH	Chrome
V200.SB	Satin Brass
V200.BBZ	Brushed Bronze
V200.RB	Oil Rubbed Bronze

These are strong and resistant to moisture. These hinges accommodate the door to swing in and out by 90° with self-centering of closed position on 15°. We carry Six Finishes of these hinges to match your varying design themes. These hinges can hold up to 50 kg of door weight per pair.



Short Plate Wall Mount Hinge

Glass Fabrication: Refer To Attached Diagram on website
 Construction Material: Solid Brass
 Function: Swings 90° In + 90° Out, Self Centering Within 15° Of Closed Position
 90° Glass-To-Wall Hinge
 Short Back-Plate
 Maximum Door Weight: 45 KG Per Pair

Model No. Finish

G207.BN	Brushed Nickel
G207.BL	Matte Black
G207.CH	Chrome
G207.SB	Satin Brass

Their construction in Solid Brass gives durability and resistance to rust so that they can withstand the wet environment in the shower area. These 90° Glass-To-Wall Hinges accommodate the easy installation of shower doors in bathrooms of hotels and residential spaces. Try our hinges for upscaling the bathroom décor for a timeless look.



Adjustable Wall Mount Hinge

Glass Fabrication: Refer To Attached Diagram on website
 Construction Material: Solid Brass
 Function: Swings 90° In + 90° Out, Self Centering Within 15° Of Closed Position
 90° Adjustable Glass-Wall Hinge
 H-Style Back-Plate
 Maximum Door Weight: 45 KG Per Pair

Model No. Finish

G208.CH	Chrome
G208.BL	Matte Black

The hinges have an H-style back plate that assists in additional clamping force. Constructed of Solid Brass, the hinges can be used for 10 to 12MM tempered glass. The glass-to-wall hinges give maximum design flexibility and enable the designers to create enclosures of various styles.



Heavy-Duty Offset Wall Mount Hinge

Glass Fabrication: Refer To Attached Diagram on website
 Construction Material: Solid Brass
 Function: Swings 90° In + 90° Out, Self Centering Within 15° Of Closed Position
 Maximum Door Weight: 66 KG Per Pair

Model No.	Finish
V205.BN	Brushed Nickel
V205.BL	Matte Black
V205.CH	Chrome
V205.BBZ	Brushed Bronze
V204.SB	Satin Brass

The hinges enable the doors to open & close at a 90-degree angle with ease. Made of Solid Brass, these are durable & resistant to moisture. They are designed for residential or hotel shower door installations. They effectively secure the glass enclosures of the shower doors & give an unobstructed view of the area.

Shower Door Essentials Hardware Kit



Heavy-Duty Wall Mount Hinge

Glass Fabrication: Refer To Attached Diagram on website
 Construction Material: Solid Brass
 Function: Swings 90° In + 90° Out, Self Centering Within 15° Of Closed Position
 Full Back-Plate
 Maximum Door Weight: 50 KG Per Pair

Model No.	Finish
V201.BN	Brushed Nickel
V201.BL	Matte Black
V201.CH	Chrome
V201.PN	Polished Nickel

The hinges allow the doors to swing in and out by 90° with a self-centering of 15° in a closed position. The hinges make the shower doors easy to use. We provide three beautiful finishes of the hinges to match your bathroom design.

Shower Door Essentials Hardware Kit

Applicable: 10-12MM Tempered Glass / Construction Material: Solid Brass / Warranty: Limited 1-Year Warranty / Glass Fabrication: Refer to Diagram on Website

Model No.	Finish
G400.SB	Satin Brass
G400.BN	Brushed Nickel
G400.CH	Chrome
G400.BL	Matte Black

The Glass Shower Door Essential Kit includes everything you need for a sleek and modern shower installation. It features two durable wall mount hinges for secure door support, two sturdy glass clamps for added stability, and a stylish 6-inch round handle for a comfortable grip. Crafted from high-quality materials with a polished finish, this kit ensures both functionality and elegance for your bathroom space.

Heavy Duty Pivot Hinge



Glass Fabrication: Refer To Attached Diagram on website
 Construction Material: Solid Brass
 Function: Swings 90° In + 90° Out, Self Centering Within 15° Of Closed Position
 Heavy Duty Top/Bottom Bevelled Pivot Hinge
 360° Full-Rotation
 Maximum Door Weight: 66 KG Per Pair

Model No.	Finish
V501.BN	Brushed Nickel
V501.BL	Matte Black
V501.CH	Chrome
V501.BL	Matte Black
V501.BN	Brushed Nickel
V501.CH	Chrome

These come with a finished edge design and are perfect for shower installations at residential properties or hotels. We provide six finishes for the hinges to match varying design expectations. The square profile gives a unique appearance to shower enclosures.

Standard Pivot Hinge



Glass Fabrication: Refer To Attached Diagram on website
 Construction Material: Solid Brass
 Function: Swings 90° In + 90° Out, Self Centering Within 15° Of Closed Position
 Top/Bottom Pivot Hinge
 Full-Rotation
 Maximum Door Weight: 45 KG Per Pair

Model No.	Finish
P501.BN	Brushed Nickel
P501.BL	Matte Black
P501.CH	Chrome
P501.SB	Satin Brass

With a Bevelled edge design, these hinges reflect elegance and sophistication. They not only support shower doors but also offer convenience to the user with the full-rotation feature. They are constructed of Solid Brass ensuring long-lasting life and are available in three market-standard finishes to suit your bathroom decor specifications.

Offset Pivot Hinge



Glass Fabrication: Refer To Attached Diagram on website
 Construction Material: Solid Brass
 Function: Swings 90° In + 90° Out, Self Centering Within 15° Of Closed Position
 90° Offset Pivot Hinge
 Full-Rotation
 Maximum Door Weight: 45 KG Per Pair

Model No.	Finish
P502.BN	Brushed Nickel
P502.CH	Chrome
P502.BL	Matte Black

Constructed according to the highest quality standards, their uniqueness makes them a popular choice amongst builders and designers in Toronto. They are designed to install the glass shower door to an adjacent wall. The offset plate allows the hinges to be installed closer to the walls.

Glass-to-Glass Pivot Hinge



Glass Fabrication: Refer To Attached Diagram on website
 Construction Material: Solid Brass
 Function: Swings 90° In + 90° Out, Self Centering Within 15° Of Closed Position
 360° Glass-To-Glass Pivot Hinge
 Full-Rotation
 Maximum Door Weight: 45 KG Per Pair

Model No.	Finish
P503.BN	Brushed Nickel
P503.CH	Chrome

They enable the installation of an additional glass door to the end of the glass panel to create a glass wall. They allow 360° movement with a simple design and elegant look. You can enjoy an undisturbed view of the glass shower door, bringing a refined theme to your bathroom décor.

Square Edge Pivot Hinge



Glass Fabrication: Refer to Diagram on Website / Construction Material: Solid Brass / Applicable: 10-12MM Tempered Glass/ Function: Swings 90° In + 90° Out / Centering Within 15° of the Closed Position / Full Rotation / Maximum Weight: 45KG Per Pair

Model No.	Finish
P504.BBZ	Brushed Bronze
P504.BL	Matte Black
P504.BN	Brushed Nickel
P504.CH	Chrome

Designed specifically for 10-12mm tempered glass, this pivot hinge offers precise functionality, swinging 90° in and out. It comes with all necessary installation accessories, including screws, anchors, rubber & PVC gaskets, and an Allen wrench. The hinge can support up to 45kg of door weight, with a recommended door width of 28". It is backed by a 1-year limited warranty, ensuring reliability.

Sleek & 180° Design Hinges



Our Sleek Design 180° Glass-To-Glass and 90° Offset Glass-To-Wall hinges give your shower a clean and modern look. Constructed with Solid Brass, these hinges offer a seamless design with self-centering in a 15° Of closed position. They allow glass shower doors to swing outwards and inwards to open. These are fit for 10-12 MM tempered glass and come with a 1-year limited warranty.

FMF Glass Hardware Shower Door Hinges are a popular choice for stand-alone showers as they are functional, and easy to use for any style of bathroom. The hinges give a soft touch to glass shower enclosures and are attractive yet simple.



Sleek Design 180° Glass-to-Glass Hinge

Glass Fabrication: Refer To Attached Diagram on website
 Construction Material: Solid Brass
 Seamless Design To Cover Screws
 Function: Swings 90° In + 90° Out, Self-Centering Within 15° Of Closed Position
 Maximum Door Weight: 45 KG Per Pair

Model No.	Finish
G211.BL	Matte Black
G211.CH	Chrome

These hinges allow shower doors to swing 90° in both directions, and self-centers within 15° of the closed position. These hinges allow securing of two glass panels of shower doors. The seamless design of the hinges offers an undisturbed all-glass look to the shower doors as the hinges cover screws.



Sleek Design 90° Offset Wall Mount Hinge

Glass Fabrication: Refer To Attached Diagram on website
 Construction Material: Solid Brass
 Seamless Design To Cover Screws
 Function: Swings 90° In + 90° Out, Self-Centering Within 15° Of Closed Position
 Maximum Door Weight: 45 KG Per Pair

Model No.	Finish
G210.BL	Matte Black
G210.CH	Chrome

Unlike traditional hinges, these wall-mount hinges come in a beautiful shape. The sleek design is perfect for decors with neat & sharp influences. There are two attractive finishes of the hinges – Chrome & Matte Black that make them so popular to offer style with flexibility of application. They are compatible with 10-12mm tempered glass.

Our stylish shower door handles are solid brass & stainless steel. We provide a variety of sleek designs in Round, Square, Mitered & Ladder styles that are:

- Clean and sharp designs to fit well any bathroom décor
- Highly functional and easy to install
- Durable and stylish

Pull Handles



Our pull handles are manufactured in 6", 8", and 12" sizes. With our wide variety of options, you can choose the one that meets your specific requirement. These are fit for 10-12mm tempered glass and come with a 3-years limited warranty.

Our multiple finishes of solid brass shower door pull handles are sure to satiate your architectural endeavors! Get inspired with our unique pull handles and uplift the look of your glass shower area.

Pull Handles



Technical Specifications	Round Series Pull Handle
Construction Material:	Solid Brass/Stainless Steel
Accessories:	Allen Wrench
Cutout Required:	1/2" Hole Required (12MM)

These Handles are designed for traditional & modern design themes. These handles offer simplicity and practicality with the comfort of the round grip. Suited for shower doors, these handles are renewed for their clean lines and timeless style.

ROUND SERIES PULL HANDLE	Handle Size	Matte Black (BL)	Brushed Nickel (BN)	Chrome (CH)	Satin Brass (SB)	Polished Nickel (PN)	Brushed Bronze (BBZ)	Oil Rubbed Bronze (RB)
	6"	DH10-6.BL	DH10-6.BN	DH10-6.CH	DH10-6.SB	DH10-6.PN	DH10-6.BBZ	DH10-6.RB
	8"	DH10-8.BL	DH10-8.BN	DH10-8.CH	DH10-8.SB	DH10-8.PN	DH10-8.BBZ	DH10-8.RB
	12"	DH10-12.BL	DH10-8.BN	DH10-12.	-	-	-	-



Technical Specifications	Square Series Pull Handle
Construction Material:	Solid Brass/Stainless Steel
Accessories:	Allen Wrench
Cutout Required:	1/2" Hole Required (12MM)

Square Series Handles from FMF promise the clean & classic look that architects & designers prefer for glass shower door installations. The handles perfectly complement the modern bathroom designs assuring a firm grip & reliable strength.

SQUARE SERIES PULL HANDLE	Handle Size	Matte Black (BL)	Brushed Nickel (BN)	Chrome (CH)	Satin Brass (SB)	Oil Rubbed Bronze (RB)	Polished Nickel (PN)	Brushed Bronze (BBZ)
	6"	DH62-6.BL	DH62-6.BN	DH62-6.CH	DH62-6.SB	DH62-6.RB	DH62-6.PN	DH62-6.BBZ
	8"	DH62-8.BL	DH62-8.BN	DH62-8.CH	DH62-8.SB	DH62-8.RB	DH62-8.PN	DH62-8.BBZ
	12"	DH62-12.BL	DH62-12.BN	DH62-12.CH	-	-	-	-



Technical Specifications	H-Series Pull Handle
Construction Material:	Solid Brass/Stainless Steel
Accessories:	Allen Wrench
Cutout Required:	1/2" Hole Required (12MM)

These Handles are an excellent choice for shower doors to get a stronger grip along with a more sophisticated look. Also, these show a sleek & impressive appearance, which makes them perfect for contemporary bathroom décor.

H-SERIES PULL HANDLE	Handle Size	Matte Black (BL)	Brushed Nickel (BN)	Chrome (CH)	Satin Brass (SB)	Polished Nickel (PN)
	6"	DH11-6.BL	DH11-6.BN	DH11-6.CH	DH11-6.SB	DH11-6.PN
	8"	DH11-8.BL	DH11-8.BN	DH11-8.CH	DH11-8.SB	DH11-8.PN



Technical Specifications	Mitered Series Pull Handle
Construction Material:	Solid Brass/Stainless Steel
Accessories:	Allen Wrench
Cutout Required:	1/2" Hole Required (12MM)

Buy these Handles from FMF to provide a distinct look to your bathroom décor. The handles are designed with square mitered corners & sleek round tubing that is hard to go unnoticed. The handles provide a perfect gripping surface and a smooth feel.

MITERED SERIES PULL HANDLE	Handle Size	Matte Black (BL)	Brushed Nickel (BN)	Chrome (CH)	Satin Brass (SB)
	6"	DH13-6.BL	DH13-6.BN	DH13-6.CH	DH13-6.SB
	8"	DH13-8.BL	DH13-8.BN	DH13-8.CH	DH13-8.SB

Towel Bars



FMF towel bars are manufactured to complement your bathroom look. They don't put stress on the glass; instead, they proudly serve the purpose of your giving a complete look to your shower area. Our FMF towel bars are meant to complement your bathroom's look. These are fit for 10-12mm tempered glass and come with a 3-years limited warranty.

From cylindrical look to square, tubular with sharp angles or ladder-pull, our distinctive towel bars are sure to stand out and take your bathroom's look to the next level. Manufactured in solid brass, delivering sustainability and durability, A more convenient option, Available in Double & Single sided Towel Bar + Handle combinations, 4 attractive styles for an aesthetic look.



Technical Specifications	Round Series Towel Bar Combination
Construction Material	Solid Brass/Stainless Steel
Projection From Surface	2 1/2" Projection
Cutout Required:	1/2" Hole Required (12MM)

Size	Brushed Nickel	Polished Nickel	Matte Black	Chrome	Satin Brass	Brushed Bronze	Oil Rubbed Bronze
6x12	TC10-612.BN	-	TC10-612.BL	TC10-612.CH	-	-	-
6x18	TC10-618.BN	TC10-618.PN	TC10-618.BL	TC10-618.CH	TC10-618.SB	TC10-618.BBZ	TC10-618.RB
8x18	TC10-818.BN	-	TC10-818.BL	TC10-818.CH	-	-	-

Towel Bar Combinations



TC10-612.SB



H-Series Towel Bar Combination

Cut Out Required:
1/2" Hole Required (12mm)
Construction Material: Solid Brass/Stainless Steel
Projection From Surface: 2 1/2" Projection

Model No.	Finish	Size
TC11-618.CH	Chrome	6x18
TC11-618.BN	Brushed Nickel	6x18
TC11-618.BL	Matte Black	6x18

This Towel Bar Combination comes with a towel bar & a handle. Their construction in Solid Brass makes them ideal for shower doors as they are durable, water resistant & aesthetically appealing.



Technical Specifications	Square Series Towel Bar Combination
Construction Material	Solid Brass/Stainless Steel
Projection From Surface	2 1/2" Projection
Cutout Required:	1/2" Hole Required (12MM)

Size	Brushed Nickel	Polished Nickel	Matte Black	Chrome	Satin Brass	Brushed Bronze	Oil Rubbed Bronze
6x18	TC62-618.BN	TC62-618.PN	TC62-618.BL	TC62-618.CH	TC62-618.SB	TC62-618.BBZ	TC62-618.RB
8x18	TC62-818.BN	-	TC62-818.BL	TC62-818.CH	-	-	-



**Mitered Series
Towel Bar Combination**

Cut Out Required:
1/2" Hole Required (12mm)
Projection From Surface: 2 1/2" Projection
Construction Material: Solid Brass/Stainless Steel

If you are looking for a clean and modern look, buy this Towel Bar Combination.

Size	Brushed Nickel	Matte Black	Chrome	Satin Brass
6x18	TC13-618.BN	TC13-618.BL	TC13-618.CH	TC13-618.SB
8x18	TC13-818.BN	TC13-818.BL	TC13-818.CH	-



**Round Series
Double-Sided Towel Bar**

Cut Out Required:
1/2" Hole Required (12mm)
Projection From Surface: 2 1/2" Projection
Construction Material: Solid Brass/Stainless Steel

Strong to withstand daily usage in the shower area & moist resistant.

Size	Brushed Nickel	Matte Black	Chrome	Satin Brass	Brushed Bronze
18"	TD10-18.BN	TD10-18.BL	TD10-18.CH	TD10-18.SB	TD10-18.BBZ
24"	TD10-24.BN	TD10-24.BL	TD10-24.CH	TD10-24.SB	-

Double-Sided Towel Bars



TD13-18.BL



**Mitered Series
Double-Sided Towel Bar**

Cut Out Required:
1/2" Hole Required (12mm)
Projection From Surface: 2 1/2" Projection
Construction Material: Solid Brass/Stainless Steel

You can install these towel bars on the shower doors or the wall at your convenience. The Mitered series offers the contrast of round tubes with square corners.

Size	Brushed Nickel	Matte Black	Chrome
18"	TD13-18.BN	TD13-18.BL	TD13-18.CH
24"	TD13-24.BN	TD13-24.BL	TD13-24.CH



**Square Series
Double-Sided Towel Bar**

Cut Out Required:
1/2" Hole Required (12mm)
Projection From Surface: 2 1/2" Projection
Construction Material: Solid Brass/Stainless Steel

These towel bars are unique and perfect for any modern theme.

Size	Brushed Nickel	Matte Black	Chrome	Satin Brass	Brushed Bronze
18"	TD62-18.BN	TD62-18.BL	TD62-18.CH	TD62-18.SB	TD62-18.BBZ
24"	TD62-24.BN	TD62-24.BL	TD62-24.CH	TD62-24.SB	-



**H-Series
Single-Sided Towel Bar**

Cut Out Required:
 1/2" Hole Required (12mm)
 Hole to Hole Distance: 18"
 Construction Material: Solid Brass/Stainless Steel
 Projection From Surface: 2 1/2" Projection
 Overall Size: 22"

Model No.	Finish
TS11-18.CH	Chrome
TS11-18.BN	Brushed Nickel
TS11-18.BL	Matte Black

H-Series Single Sided Towel Bars from FMF are a classic H-design that is elegant and robust. The construction of towel bars in Solid Brass makes them durable and moist proof.

Single-Sided Towel Bars



TS11-18.BN



**Mitered Series
Single-Sided Towel Bar**

Cut Out Required:
 1/2" Hole Required (12mm)
 Projection From Surface: 2 1/2" Projection
 Construction Material: Solid Brass/Stainless Steel

Size	Brushed Nickel	Matte Black	Chrome	Satin Brass
18"	TS13-18.BN	TS13-18.BL	TS13-18.CH	TS13-18.SB
24"	TS13-24.BN	TS13-24.BL	TS13-24.CH	-

The two sizes of these towel bars give an alternative option for you to install the one that best suits your requirements. Easy to install, these offer great convenience.



**Square Series
Single-Sided Towel Bar**

Cut Out Required:
 1/2" Hole Required (12mm)
 Projection From Surface: 2 1/2" Projection
 Construction Material: Solid Brass/Stainless Steel

Size	Brushed Nickel	Matte Black	Chrome	Satin Brass	Brushed Bronze
18"	TS62-18.BN	TS62-18.BL	TS62-18.CH	TS62-18.SB	TS62-18.BBZ
24"	TS62-24.BN	TS62-24.BL	TS62-24.CH	TS62-24.SB	-

These are durable and able to sustain daily usage in the shower area.



**Round Series
Single-Sided Towel Bar**

Cut Out Required:
 1/2" Hole Required (12mm)
 Projection From Surface: 2 1/2" Projection
 Construction Material: Solid Brass/Stainless Steel

Size	Brushed Nickel	Matte Black	Chrome	Satin Brass	Brushed Bronze
18"	TS10-18.BN	TS10-18.BL	TS10-18.CH	TS10-18.SB	TS10-18.BBZ
24"	TS10-24.BN	TS10-24.BL	TS10-24.CH	TS10-24.SB	-

These give an elegant look to the overall design of the bathroom.

Door Knobs





Round Series Cap for Handles & Towel Bars

Compatible With DH10 & TC10
 Construction Material: Solid Brass
 Applicable for: Round Series Towelbars and Handles
 2 Pieces per package
 Size: 19mm Diameter

Model No.	Finish
10CAP.BN	Brushed Nickel
10CAP.BL	Matte Black
10CAP.SB	Satin Brass
10CAP.CH	Chrome

Crafted with precision, it is the perfect finishing touch to your glass door handles and towel bars, adding a subtle yet sophisticated accent to your space. Compatibility is at the forefront of the Round Series Cap, as it seamlessly integrates with both DH10 Series Handles and TC10 Series Towel Bars, ensuring a complete and cohesive look for your glass hardware installations.



Cylinder Style Back-to-Back Shower Door Knob

Cylinder Style Back-to-Back Shower Door Knobs
 Construction Material: Solid Brass Material
 Hole Diameter Required: 3/8" or 1/2" (10 or 12 mm)

Model No.	Finish
DK-10.BL	Matte Black
DK-10.BN	Brushed Nickel
DK-10.CH	Chrome
DK-10.SB	Satin Brass

Square Series Cap



Compatible With DH62 & TC62
 Construction Material: Solid Brass
 Applicable for: Square series Towelbars and Handles
 2 Pieces per package
 Size: 19x19mm

Model No.	Finish
62CAP.BN	Brushed Nickel
62CAP.CH	Chrome
62CAP.SB	Satin Brass

Each package of the Square Series Cap includes two pieces, making it convenient to complete your glass door and towel bar configurations with ease. Elevate the aesthetics of your space with this meticulously crafted cap from FMF Glass Hardware, where style meets functionality.

Glass Door Knob



Circular Sliding Door Ring Pull Knob
 Construction Material: Solid Brass & Tempered Glass
 Cut Out Required: 1/2" Hole Required (12mm)

Model No.	Finish
DK-01.CH	Chrome

If you are looking for Glass Doorknobs that enhance the all glass look of your shower enclosures, you are in the right place. These stand out from the rest due to their rich appearance.



**Round Series
Double-Sided Towel Bar**

Back To Back Modern Style Door Knob
Construction Material: Solid Brass
Cut Out Required: 1/2" Hole Required (12mm)

Model No.	Finish
DK-09.CH	Chrome
DK-09.BN	Brushed Nickel
DK-09.BL	Matte Black
DK-09.SB	Satin Brass
DK-09.BBZ	Brushed Bronze

Step up to designer style with our Modern Doorknobs to make your glass shower doors look sleek and polished. FMF Glass Hardware provides an idealistic and simplified approach to Modern Doorknobs.



Mushroom Door Knob

Back To Back Mushroom Style Door Knob
Construction Material: Solid Brass
Cut Out Required: 1/2" Hole Required (12mm)

Model No.	Finish
DK-02.CH	Chrome

If you are keen on keeping minimalistic, yet functional doorknobs, this is your solution for shower enclosures. They are a perfect choice for your next project.

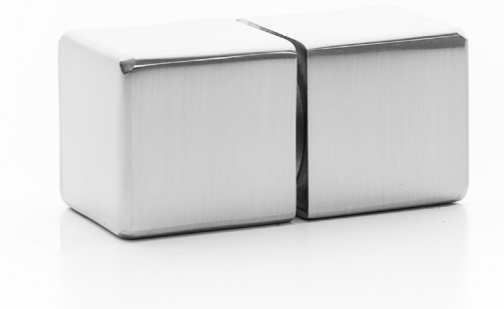


Square Sliding Door Knob

Finger-Pull Knob For Glass Sliding Door
Construction Material: 304 Grade Stainless Steel
Cut Out Required: 2" Hole Required (50.8MM)

Model No.	Finish
DK-05.CH	Chrome
DK-05.BN	Brushed Nickel
DK-05.BL	Matte Black

Designed to work with sliding shower doors, neat square profile with curvy edges of the doorknob with finger-pull make operating of the glass door easier.



Cube Door Knob

30x30mm Door Knob With Finger Indent
Construction Material: Solid Brass
Cut Out Required: 1/2" Hole Required (12mm)

Model No.	Finish
DK-03.BN	Brushed Nickel
DK-03.CH	Chrome
DK-03.BL	Matte Black

These Doorknobs with Finger Indent are easily integrated into a contemporary setting. They are simple yet equipped with surprising details.

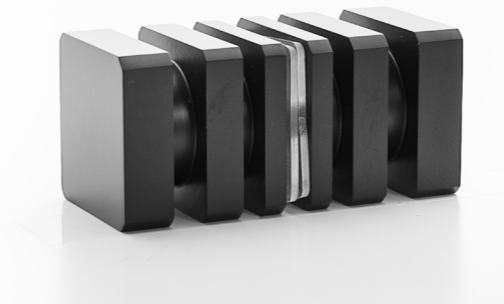


Sliding Door Pull Knob

Circular Sliding Door Ring Pull Knob
Construction Material: Solid Brass
Cut Out Required: 2" Hole Required (50MM)

Model No.	Finish
DK-07.CH	Chrome
DK-07.BN	Brushed Nickel
DK-07.BL	Matte Black
DK-07.SB	Satin Brass

These are essential components for opening and closing the sliding shower door, thanks to their smooth & round grip, which makes the process easier.



Square Door Knob

30x30mm Doorknob, Modern Style With Indents
Construction Material: Solid Brass
Cut Out Required: 1/2" Hole Required (12mm)

Model No.	Finish
DK-04.BN	Brushed Nickel
DK-04.CH	Chrome
DK-04.BL	Matte Black

With the anti-rust qualities of the doorknobs, they are perfect for shower doors. Their modern style grants a refined look to your shower enclosures.

Our elegant yet durable shower door glass clamps offer maximum structural support and a sophisticated look to your glass shower enclosure. Our shower door clamps provide fundamental support to residential and commercial shower settings. If you are rooting for an "all-glass" flawless look for your shower – our shower door clamps are made for just that! These are fit for 10-12mm tempered glass and come with a 3-year limited warranty.

Our designs are versatile, easy to install, clean and maintain, and ensure durability for several years. We are also equipped with a range of movable and fixed shower door clamps. Our dynamic bevelled & straight edge designs are sure to leave you in awe!

Shower Door Glass Clamps





Transom Glass Clamp

Size: 2"x4"
 Cut-Out Required: 16/19 MM Hole Size
 Construction Material: Solid Brass
 180° Movable Transom Clamp
 Function: Used To Secure Transom Panels To Fixed Panels

Model No.	Finish
C824.BN	Brushed Nickel
C824.CH	Chrome
C824.BL	Matte Black
C824.SB	Satin Brass
C824.BBZ	Brushed Bronze
C824.PN	Polished Nickel

They allow the rotation of fixed glass panels to 180° for the stable movement of transom panels. At FMF, you can find a complete selection of Glass Hardware products for your glass shower door installations.



90° Glass-to-Glass Clamp

Cut-Out Required: 16/19 mm Hole Size
 Construction Material: Solid Brass
 90° Fixed Clamp, Glass-To-Glass
 Function: Used To Secure Two Fixed Panels Together At A 90° Angle, For Frameless Shower Enclosures

Model No.	Finish
C827.BN	Brushed Nickel
C827.CH	Chrome
C827.BL	Matte Black
C827.SB	Satin Brass
C827.BBZ	Brushed Bronze

The sharp square corners give a stylish approach to your shower area. Used for an outside fit of the glass panels, FMF 90° Glass-to-Glass Clamp is an excellent choice for your glass shower enclosure.



180° Fixed Junior Transom Glass Clamp

180° Fixed Transom Clamp
 Glass-To-Glass
 Cut-Out Required: 16/19mm Hole Size
 Function: Used To Secure Transom Panels To Fixed Panels

Model No.	Finish
C840.BN	Brushed Nickel
C840.CH	Chrome
C840.BL	Matte Black

They are ideal for securing fixed transom in frameless shower enclosures. With a Solid Brass built & several finishes, we aim to accommodate all your design requirements for the shower area.



Offset Glass Clamp

Off-Set Style Glass Clamp
 Single-Hole, Glass-To-Wall
 Cut-Out Required: 16/19 MM Hole Size
 Construction Material: Solid Brass
 Function: Used To Secure Fixed Panels For Frameless Shower Enclosures

Model No.	Finish
C823.BN	Brushed Nickel
C823.CH	Chrome
C823.BL	Matte Black
C823.SB	Satin Brass
C823.PN	Polished Nickel

Choose offset glass clamps for your glass shower door installations and experience a seamless and contemporary look. Their construction in Solid Brass provides strength and resistance to rust.



Standard Glass Clamp

Cut-Out Required: U-Cut Out
 Construction Material: Solid Brass
 Single-Hole
 Glass-To-Wall
 Function: Used To Secure Fixed Panels For Frameless Shower Enclosures

These clamps are an elegant solution for securing fixed panels for frameless shower enclosures.

Size	Brushed Nickel	Polished Nickel	Matte Black	Chrome	Satin Brass	Brushed Bronze	Polished Nickel	Oil Rubbed Bronze
45x45	C820.BN	-	-	C820.CH	-	-	-	-
50x50	C821.BN	C821.PN	C821.BL	C821.CH	C821.SB	C821.BBZ	C821.PN	C821.RB



Double Hole Glass Clamp

Cut-Out Required: V-Cut Out
 Construction Material: Solid Brass
 Glass-To-Wall
 Function: Used To Secure Fixed Panels For Frameless Shower Enclosures

Our glass clamps showcase modern design & premium quality

Type	Brushed Nickel	Matte Black	Chrome	Satin Brass
Solid	C822.BN	-	C822.CH	-
Hollow	C829.BN	C829.BL	C829.CH	C829.SB



Heavy-Duty Offset Glass Clamp

Cut-Out Required: 19 MM Hole Size
 Construction Material: Solid Brass
 3 Hole Design
 Function: Used To Secure Heavier Fixed Panels For Frameless Shower Enclosures

Model No.	Finish
C825.CH	Chrome
C825.BN	Brushed Nickel
C825.BL	Matte Black
C825.SB	Satin Brass

Our glass clamps are engineered to provide a long time of hassle-free performance on shower enclosures. Our products are designed to accommodate all your shower door installation needs.

Sleeve Over Glass Clamps



180° Fixed Transom Glass Clamp

Cut-Out Required: 19 MM Hole Size
 Construction Material: Solid Brass
 Function: Used To Secure Transom Panels To Fixed Panels

Model No.	Finish
C828.CH	Chrome
C828.BN	Brushed Nickel
C828.BL	Matte Black
C828.SB	Satin Brass

They instantly give a clutter-free look, upscaling the appearance of your project. They come with easy installation and low maintenance.



Bevelled Glass Clamp

Cut-Out Required: U-Cut Out
 Construction Material: Solid Brass
 Function: Used To Secure Fixed Panels For Frameless Shower Enclosures
 Size: 2" x 2"

Model No.	Finish
C831.CH	Chrome
C831.BN	Brushed Nickel
C831.BL	Matte Black

The clamps have bevelled edges with three innovative finishes to up-scale your shower enclosures. They are easy to install and require minimal maintenance with long-term durability.

Our sleeve over glass clamps acts as mechanical enclosures that are equipped to protect the glass panels from shear stresses. Our shower door glass clamps are also useful to keep the glass panels in one place while the silicone sealant in the joint cures to prevent water leakage, adjoining the glass panels together. These are fit for 10-12mm tempered glass and come with a 3-years limited warranty.

FMF sleeve over glass clamps also offers great benefits to your shower panels, such as: Stabilize your glass shower corners efficiently, Give a pleasant look to shower panels, Easy to install. With their elegant and sleek look, they are perfect for your shower doors. Our sleeve over clamps is sturdy enough to support your shower panels for a long time!



Left Side Sleeve Over Glass Clamp

Cut-Out Required: No Cut Out Required
 Construction Material: Solid Brass
 Function: Used To Secure Fixed Panels For Frameless Shower Enclosures
 Accessories: PVC Gaskets

Model No.	Finish
C863L.BN	Brushed Nickel
C863L.BL	Matte Black
C863L.CH	Chrome
C863L.SB	Satin Brass

Left Side Sleeve Over Glass Clamps are mechanical fasteners for covering the pressure points of the glass panels. They secure the glass panels for frameless shower enclosures. Available in the left-hand model, the wall-mounted sleeve-over glass clamps are perfect for transforming your shower area.



Right Side Sleeve Over Glass Clamp

Cut-Out Required: No Cut Out Required
 Construction Material: Solid Brass
 Function: Used To Secure Fixed Panels For Frameless Shower Enclosures
 Accessories: PVC Gaskets

Model No.	Finish
C863R.BN	Brushed Nickel
C863R.BL	Matte Black
C863R.CH	Chrome
C863R.SB	Satin Brass

Right Side Sleeve Over Glass Clamps are wall-mounted to secure fixed panels on frameless shower enclosures. The right-hand model of the glass clamp is perfect to reform the look of your shower area. The right-hand mechanical fasteners are available in three appealing finishes, such as Brushed Nickel, Chrome and Matte Black.



90° Sleeve Over Glass Clamp

Cut-Out Required: No Cut Out Required
 Construction Material: Solid Brass
 Function: Used To Secure Two Fixed Panels Together At A 90° Angle, For Frameless Shower Enclosures
 Accessories: PVC Gaskets

Model No.	Finish
C861.BN	Brushed Nickel
C861.BL	Matte Black
C861.CH	Chrome
C861.SB	Satin Brass

90° Sleeve Over Glass Clamps by FMF act as a mechanical fastener for preventing the pressure on the glass panels. They are used to secure two fixed glass panels at a 90° angle for frameless shower enclosures. We carry them in a varied range of finishes to incorporate all your architectural design demands.



Adjustable Sleeve Over Glass Clamp

Cut-Out Required: No Cut Out Required
 Construction Material: Solid Brass
 Function: Used To Secure Two Fixed Panels Together At Angle Of Your Choice, For Frameless Shower Enclosures
 Accessories: PVC Gaskets

Model No.	Finish
C862.BN	Brushed Nickel
C862.BL	Matte Black
C862.CH	Chrome
C862.SB	Satin Brass

FMF adjustable Sleeve Over Glass Clamps are manufactured to join two fixed panels at the desired angle for frameless shower enclosures. They play the role of a mechanical fastener for covering the pressure enforced on the glass panels. Constructed in Solid Brass, these glass clamps provide durability and rust resistance.

Glass Shelf Brackets



For lightweight shower products, it is important to choose support systems that help strengthen the shower enclosures and glasses. Our glass shelf brackets are designed to serve the purpose. Our stylish glass shelf brackets for floating glass and wood shelving are available in a variety of finishes, such as semi-round, glass mount, wall mount, etc. These are fit for 10-12mm tempered glass and come with a 3-years limited warranty.

They are manufactured in solid brass, can be used in shower areas, corners, and more over offer superior quality products, performance, and style. Check out our complete selection of customized and contemporary hardware for the glass, window, and door industry. These glass shelf brackets add a complete look to the overall design of your bathroom area and other spaces.



Glass Mount Shelf Clamp

Cut-Out Required: 10mm Hole Size
 Construction Material: Solid Brass
 Function: Used To Secure Glass Shelves
 Accessories: PVC Gaskets
 Glass Mounted (Single Hole)

Model No.	Finish
C882.BN	Brushed Nickel
C882.BL	Matte Black
C882.CH	Chrome
C882.SB	Satin Brass

They can easily secure the glass shelves for carrying products such as shampoos and soaps. Their construction in Solid Brass provides durability and rust resistance for several years. At FMF Glass Hardware, we pay utmost attention to the design, quality, and performance of our hardware products.



Semi-Round Shelf Clamp

Cut-Out Required: No Holes Required
 Construction Material: Solid Brass
 Function: Used To Secure Glass Shelves
 Accessories: PVC Gaskets
 Wall Mounted (Single hole)

Model No.	Finish
C883.BN	Brushed Nickel
C883.BL	Matte Black
C883.CH	Chrome
C883.BBZ	Brushed Bronze
C883.SB	Satin Brass

Their construction in Solid Brass offers durability and rust resistance for a long time. The clamps support the glass shelf brackets to create a dazzling display and more storage space. Buy our Semi-round shelf clamps for the best design, quality, and performance.



Square Shelf Clamp

Cut-Out Required: No Holes Required
 Construction Material: Solid Brass
 Function: Used To Secure Glass Shelves
 Accessories: PVC Gaskets
 Square Style (Single hole)

Model No.	Finish
C880.BN	Brushed Nickel
C880.BL	Matte Black
C880.CH	Chrome
C880.SB	Satin Brass

The square-shaped glass clamps have performance combined with design as the clamps are able to secure the glass shelves in both dry and wet environments. With FMF Glass Hardware, you get high-quality shower door hardware products at competitive prices.

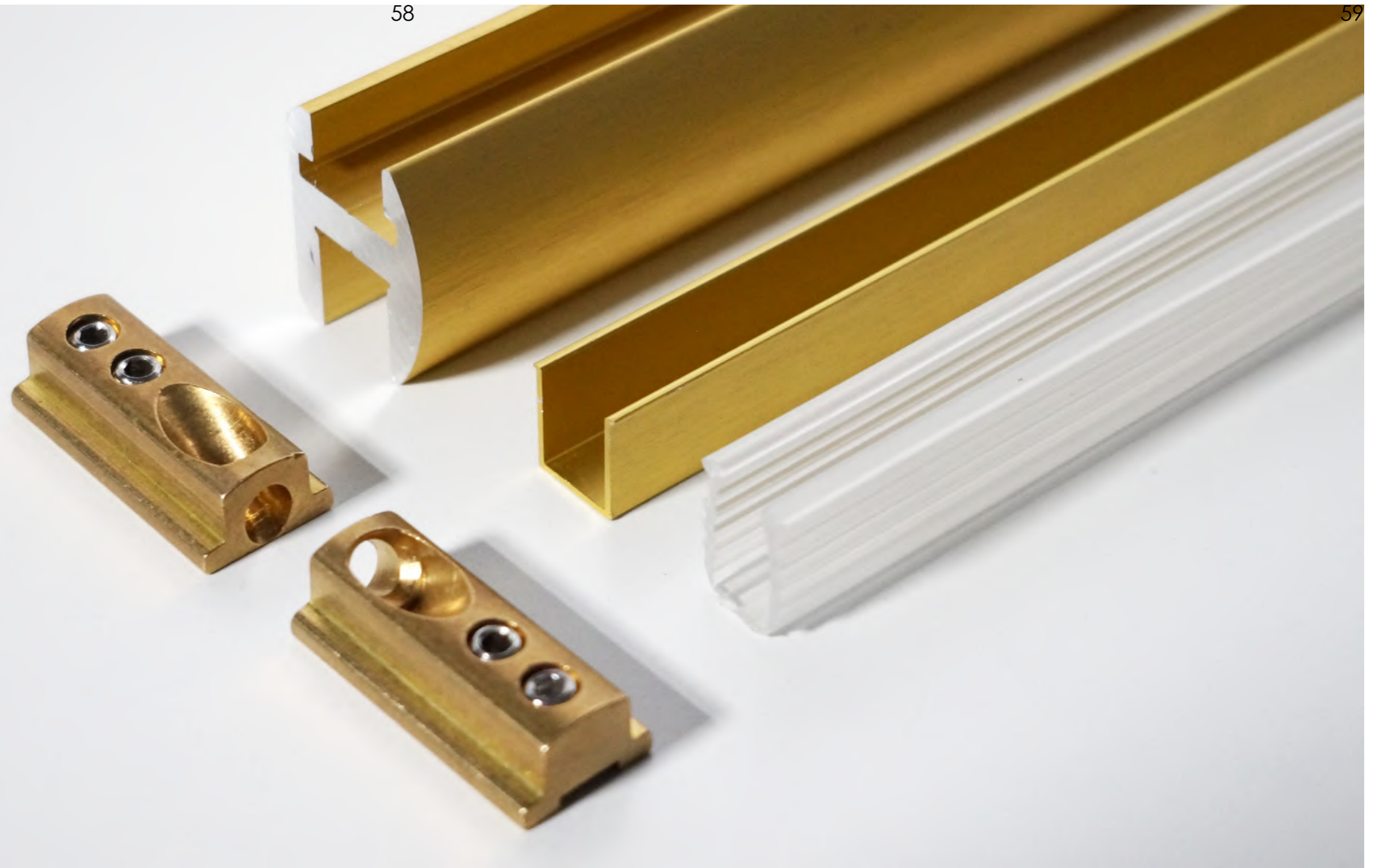


Wall Mount Shelf Clamp

Cut-Out Required: No Holes Required
 Construction Material: Solid Brass
 Function: To Clamp & Secure Glass Shelf To A Wall
 Accessories: Screws, Anchors

Model No.	Finish
C881.BN	Brushed Nickel
C881.BL	Matte Black
C881.CH	Chrome
C881.SB	Satin Brass

Wall Mount Shelf Clamps are of high quality with anti-corrosion and durability features. They are perfect for securing glass shelves in dry and wet environments. At FMF Glass Hardware, you get shower door hardware with premium quality standards. The construction in Solid Brass offers strength to the Wall Mount Shelf Clamps.



Our header kits are manufactured in a way that they maintain a low profile and do not hinder the appealing look of your shower area. We want to ensure you have everything you need for securing the installation of your shower door in the bathroom. These are fit for 10-12mm tempered glass and come with a 1-year limited warranty.

Hence, our Deluxe shower door header kit is equipped with all essential components required to cover and install your glass enclosure. Our shower header kits have a round and flat profile to make your shower look exceptional. Our FMF Deluxe Shower Door Header Kit consists of 98" Shower Door Header Bar, 32" Snap-In Pocket Filler for Shower Door, 1 Length of Clear Glazing Gasket, 2 Wall mounting Brackets.

Headers



135° Header Connector Brass-Raw

135° Fixed Header Connector
 Applicable For: FMF Shower Door Header Kit (SA07-98)
 Construction Material: Solid Brass
 Function: To Connect Two Shower Door Header's At A 135° Angle

Model No.

SK-135.RA

They effectively connect two shower door headers at a 135-degree angle. Made of Solid Brass, they are resistant to rust and provide durability and strength. The connectors are designed using high-quality materials with utmost care and precision.



360° Header Connector Brass-Raw

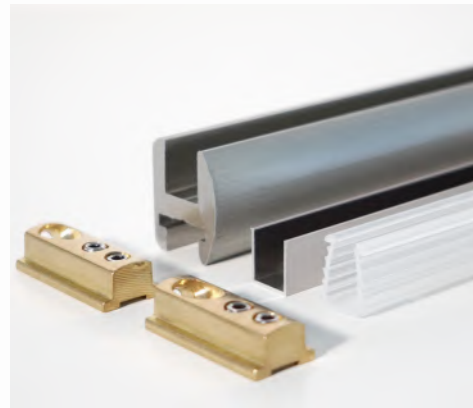
360° Adjustable Header Connector
 Applicable For: FMF Shower Door Header Kit (SA07-98)
 Construction Material: Solid Brass
 Function: To Connect Two Shower Door Header's At Angle Of Your Choice

Model No.

SK-360

These are easy to install & are applicable for shower enclosure projects in residential & commercial properties. These are made with premium quality materials to ensure durability dust resistance.

Shower Door Header System



Shower Door Header 98" from FMF are available in flat and round profiles to coordinate your designing requirements. Made of aluminum, they are durable and offer support to the shower enclosures.

Length	Brushed Nickel	Matte Black	Chrome	Satin Brass	Brushed Bronze
66"	SA07-66.BN	SA07-66.BL	SA07-66.CH	SA07-66.SB	-
98"	SA07-98.BN	SA07-98.BL	SA07-98.CH	SA07-98.SB	SA07-98.BBZ
144"	SA07-144.BN	SA07-144.BL	SA07-144.CH	SA07-144.SB	-

Header Adapter



Shower Header Adapter
 Applicable For: FMF Shower Door Header Kit (SA07-98)
 Construction Material: Solid Brass
 Function: To Secure Pivot Hinges To Shower Door Header System

Model No.

Model No.	Finish
HA03.BN	Brushed Nickel
HA03.CH	Chrome
HA03.BL	Matte Black
HA03.SB	Satin Brass
HA03.BBZ	Brushed Bronze

These adapters are an essential hardware component for the installation of shower doors as they set a pivot hinge inside the shower door header, allowing to join the hinges to the top of the door.

90° Header Connector Brass-Raw



90° Fixed Header Connector
 Applicable For: FMF Shower Door Header Kit (SA07-98)
 Construction Material: Solid Brass
 Function: To Connect Two Shower Door Header's At A 90° Angle

Model No.

SK-90.RA

Their construction in Solid Brass enables them to offer strength and longevity to support shower headers. They are resistant to rust and can be installed easily at a 90-degree angle.

Wall Mounting Brackets for Header Bar



Wall Mounting Brackets
 Used with Deluxe Shower Door Header Kit
 Applicable For: FMF Shower Door Header Kit (SA07-98)
 Construction Material: Solid Brass
 Function: To Secure Header Bar To Wall

Model No.

SA05-RAW

They are used with Deluxe Shower Door Header Kits. Their construction in Solid Brass provides durability and resistance from rust. They are ideal to use in wet environments.



Header Channel Filler for SA07

Header Channel Filler For Shower Door Header Kits
 Applicable For: FMF Shower Door Header Kit (SA07-98)
 Construction Material: Aluminum
 Size: 36" Length

Model No.

HA01.CH

Crafted from durable aluminum, this filler ensures a seamless and secure fit, enhancing the functionality and aesthetics of your shower enclosure. Available in a convenient 36-inch length, it provides ample coverage for your shower door header kit.



440 Black Tape

Construction Material: 100% Solid Polyisobutylene Cross Linked Butyl, Preformed Sealant
 Applicable For: Mirrors & Multiple Uses
 Function: To Secure Mirrors To Surface
 Dimensions: 1/8" x 3/8" x 500'
 Length: 500ft in Each Roll

Model No. Finish

Tape-M440 Black

It is resistant against ultra-violet rays that can penetrate through the glass and is flexible even at low temperatures. They are ideal for projects like house construction, renovation, and commercial property construction.



Clear Acrylic Hi-Bond Tape

Construction Material: Transparent Acrylic Hi-Bond Adhesive
 Applicable For: Tempered Glass, Channels Seals/Wipes
 Function: To Secure Channels, Seals/ Wipes To Tempered Glass (Double Sided)
 Thickness: 1mm; Length: 33m
 Length: 108ft in Each Roll

Model No. Finish Width

Tape-H550 Clear Acrylic 6mm
 Tape-H551 Clear Acrylic 13mm

It helps in the fabrication of shower enclosures with instant pressure sensitive bonding. It is good for bonding clear materials such as glass doors. It resists moisture and solvents in indoor & outdoor areas. The double sided tape can elongate/stretch & relax in heavy load, thus offering durability & performance.

GLAZING TAPES



Double Sided Foam Tape

Construction Material: White Adhesive Vinyl Foam
 Applicable For: Tempered Glass & Channels
 Function: To Secure Channels
 Dimensions: 1.6MM x 10MM x 61 Meters
 Length: 216ft in Each Roll

Model No. Finish

Tape-F660 Double-sided foam

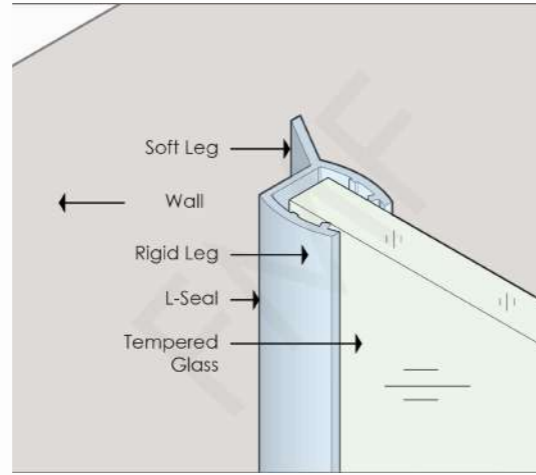
Double-Sided Foam Tape by FMF is mainly used for securing channels. It is super strong and resistant, It is an excellent alternative for screws, bolts, welding & liquid adhesives. Our water-proof double sided tape helps to secure tempered glass and channels. It also has strong temperature resistance, is sticky & easy to tear.

Seals & Wipes



Snapped along the bottom edge and side of the glass door, our complete range of seals and wipes is a subset of our innovative hardware solutions for shower doors. These are fit for 10-12mm tempered glass and come with a 1-year limited warranty.

Our mission is to provide excellent customer service through our premium quality products manufactured by experts. Our seals and wipes prove efficiency in preventing water leakage and are excellent for your shower door.

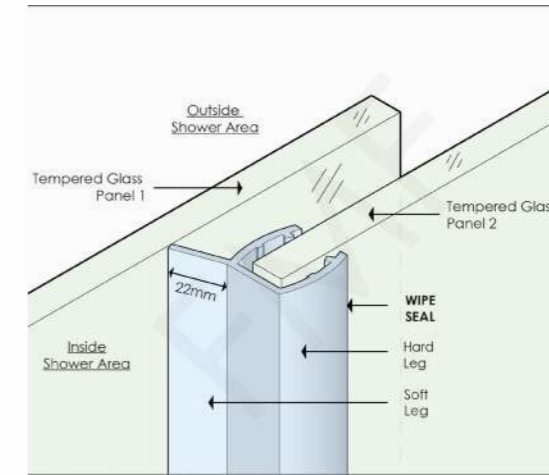
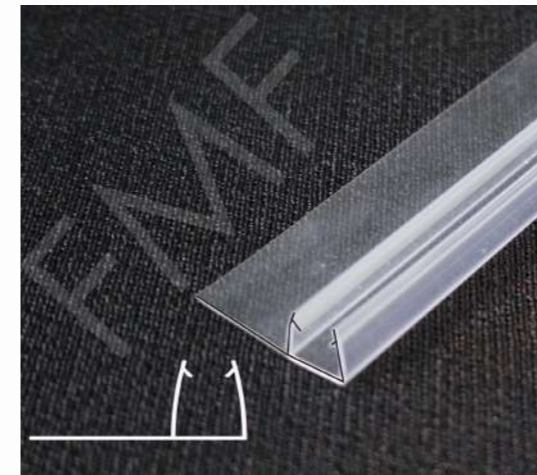


L-Seal

L-Style Shower Door Seal

Applicable for:
10mm Glass
Length: 98"
Construction Material:
PVC Plastic
Function:
Stops Door From Opening Beyond 180°

Model No.
PTS-01.L

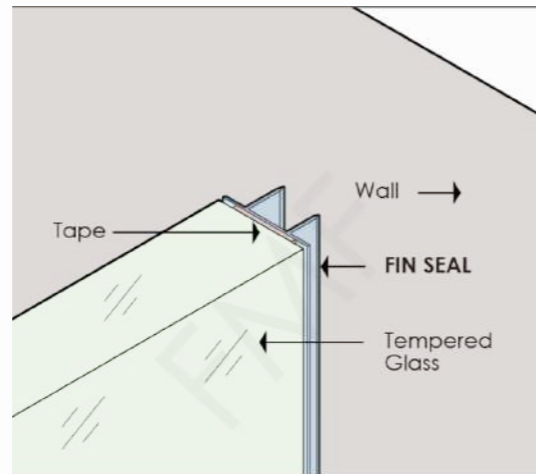
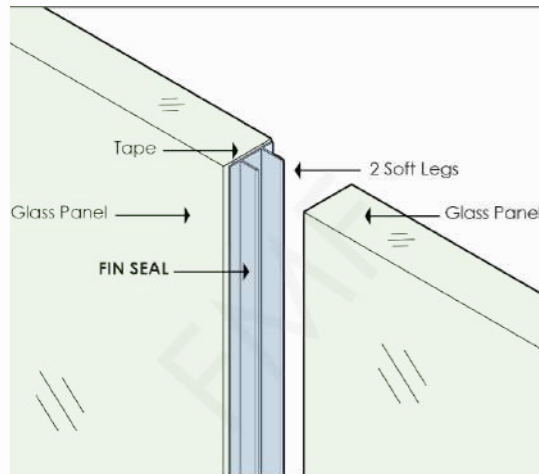


Wipe Seal

Glass Sliding Door Wipe

Applicable for:
10mm Glass
Length: 98"
Construction Material:
PVC Plastic

Model No.
PTS-04.W

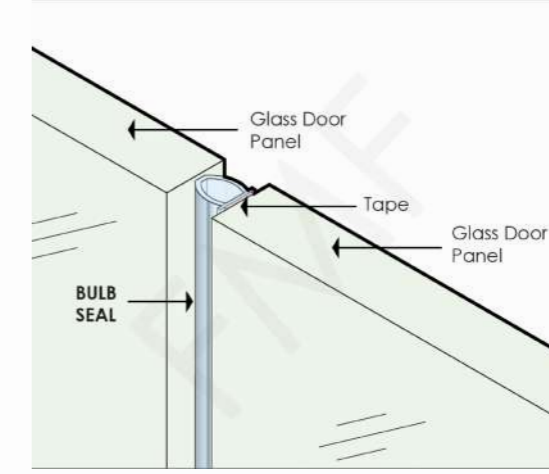


Fin Seal

Clear Fin Seal

Applicable for:
10-12mm Glass
Length: 98"
Construction Material:
PVC Plastic

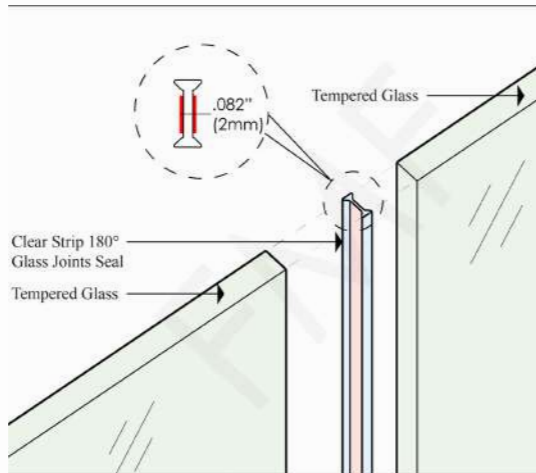
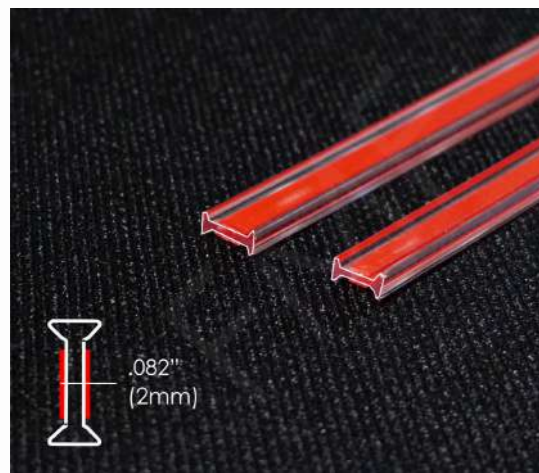
Model No.
PTS-09.F



Bulb Seal

Size:
6.5mmx7mm space
Applicable for:
10mm-12mm Glass
Length: 98"
Construction Material:
PVC Plastic

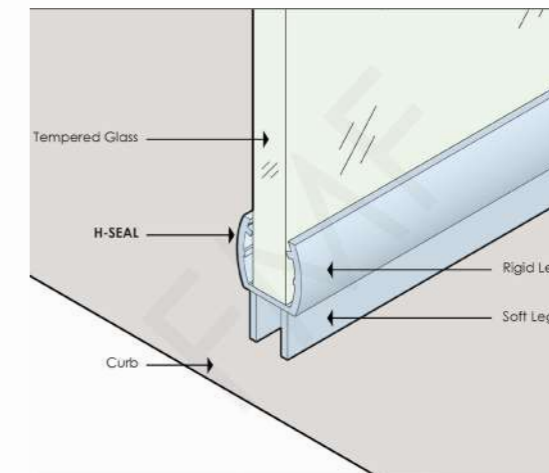
Model No.
PTS-07.B



Clear Strip 180° Glass Joints Seal

Pre-Applied Clear Adhesive Tape
Length: 120"
Construction Material:
PVC Plastic
Function:
Wrap Around Feature for Additional Glass Edge Protection, offers Easy Installation

Model No.	Size
PTS-08.J	8mm
PTS-10.J	10mm
PTS-12.J	12mm



H-Seal

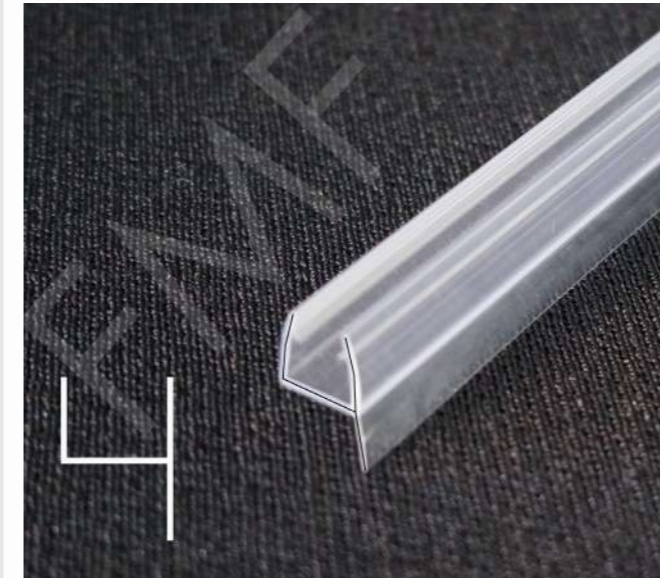
H-Style Shower Door Seal

Applicable for:
10mm Glass
Length: 98"
Construction Material:
PVC Plastic

Model No.
PTS-02.H



PTS-14.S



Clear L-Seal for Bypassing Shower Sliders

Applicable for: 10mm Glass

Length: 98"

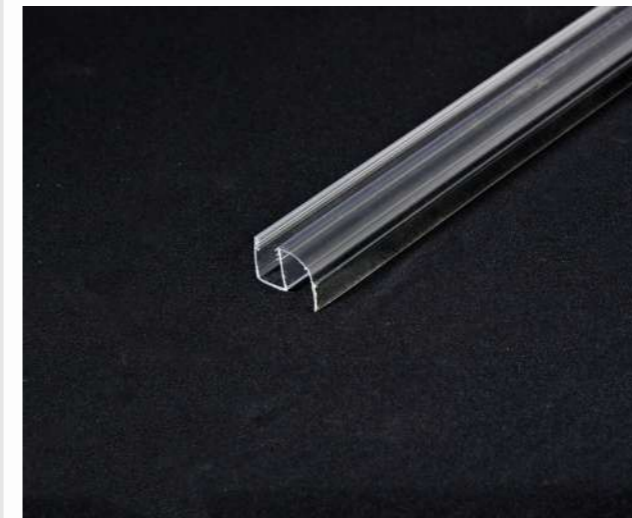
Construction Material: PVC Plastic

Function: used for bypassing shower sliders

Model No.

PTS-13.L

The 98" length ensures complete coverage, effectively sealing the gaps between the glass and preventing water leakage, making it an essential addition to any shower



Bottom Door Seal for Bypassing Shower Sliders

Applicable for: 10mm Glass

Length: 98"

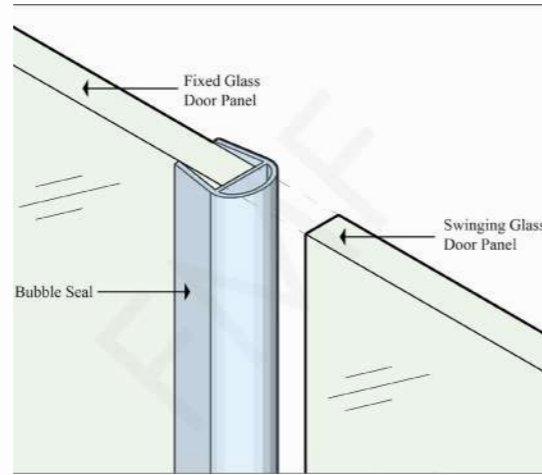
Construction Material: PVC Plastic

Function: used for bypassing shower sliders

Model No.

PTS-14.S

The 98" length ensures complete coverage, effectively sealing the gaps between the glass and preventing water leakage, making it an essential addition to any shower installation.

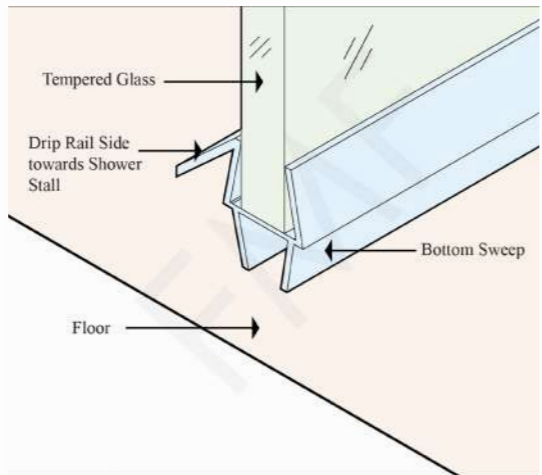
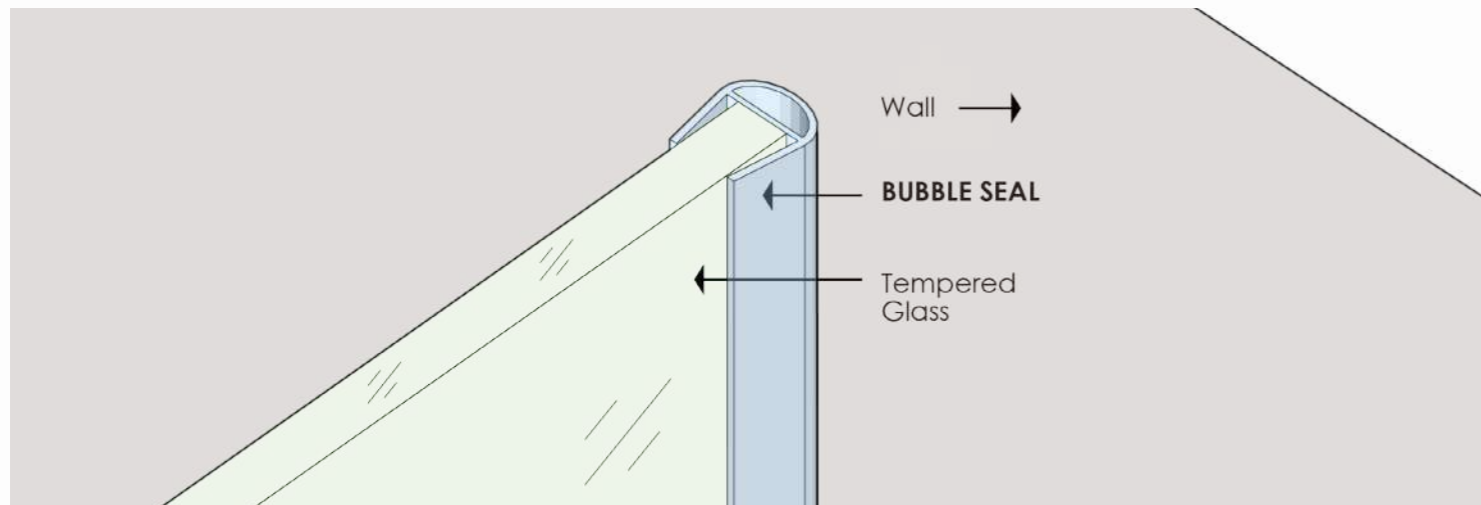
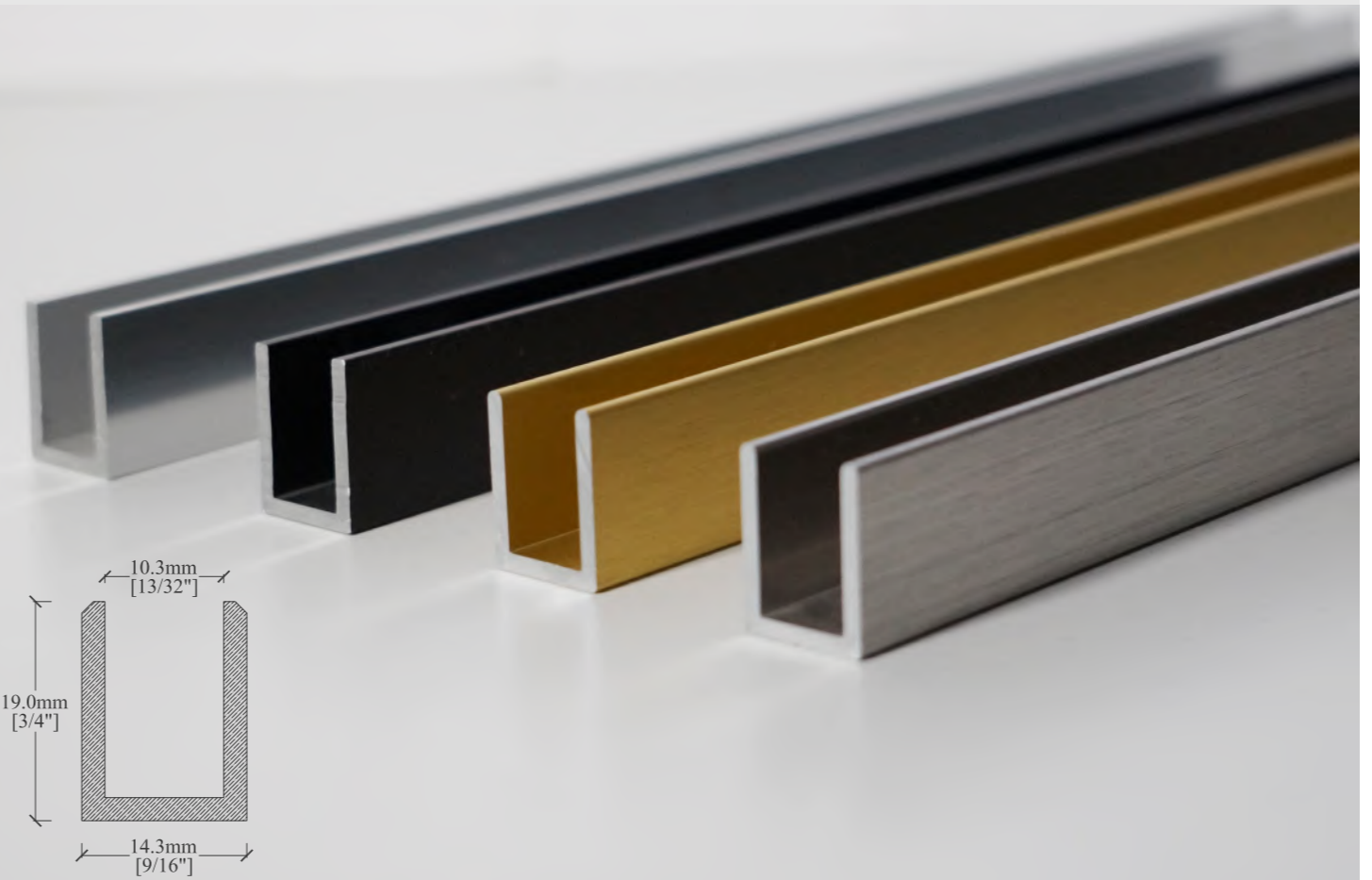


Bubble Seal

Applicable for:
10mm Glass
Length: 98"
Construction Material:
PVC Plastic
Function:
Mainly Used For Glass Sliding Doors

Model No.
PTS-03.B

Standard U-Channels



Bottom Sweep

Glass Shower Bottom Door Sweep

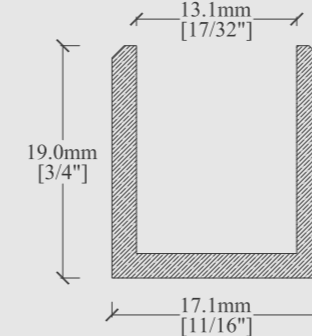
Types:
Standard / Ultraclear
Length: 98"
Construction Material:
PVC Plastic

Model No.	Size
PTS-05.S	10mm
PTS-06.S	10mm
PTS-12.S	12mm

Standard Aluminum U-Channels

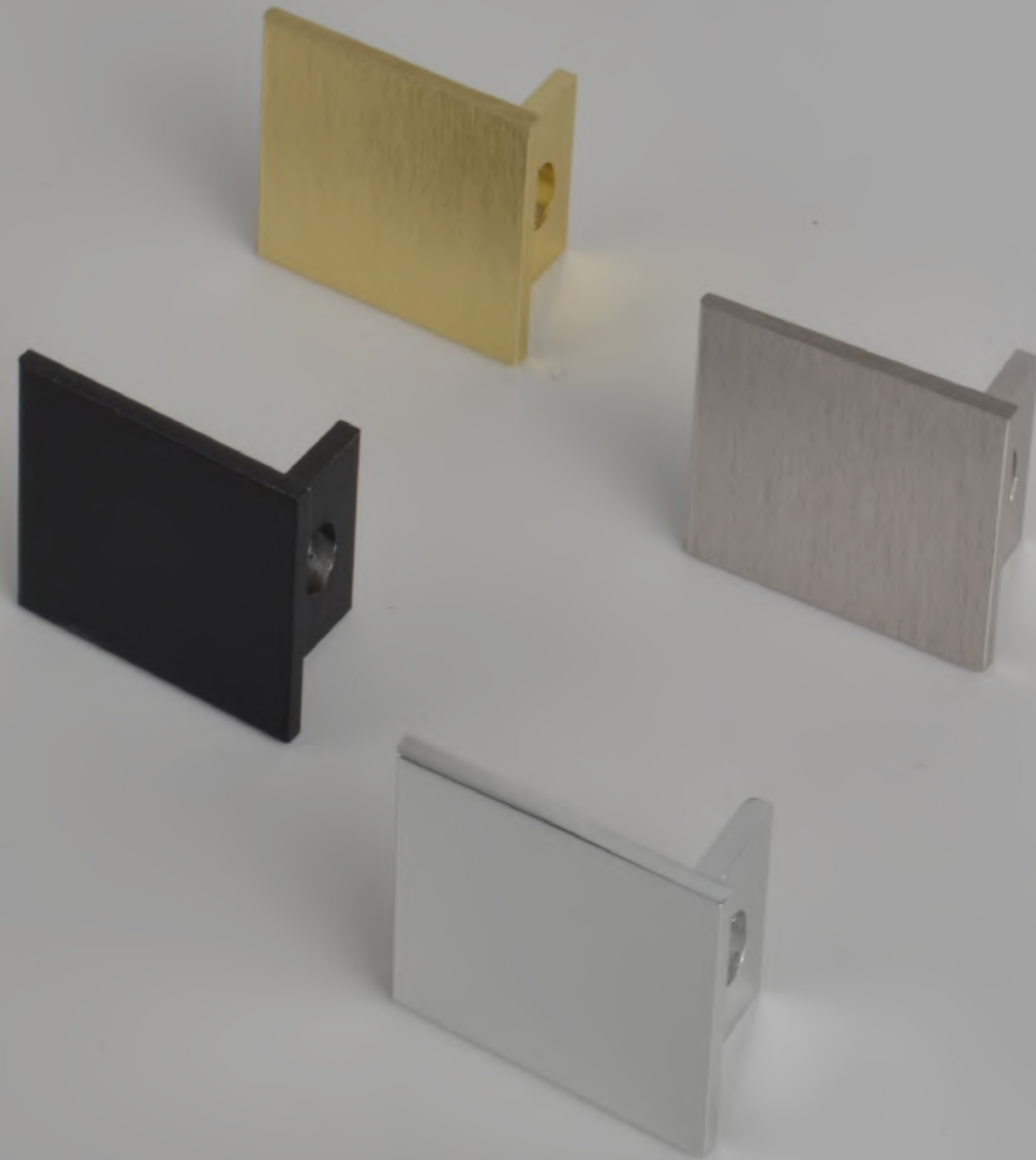
Glazing Gasket Sold Separately
Construction Material: Aluminum
Applicable For: 10-12MM Tempered Glass
Size: 12' Length Available
Gap: 19mm

FMF U-Channels offer versatility and are used as a frame to secure fixed glass panels in shower areas or other glass partition areas. They are sharp in design and are lightweight.



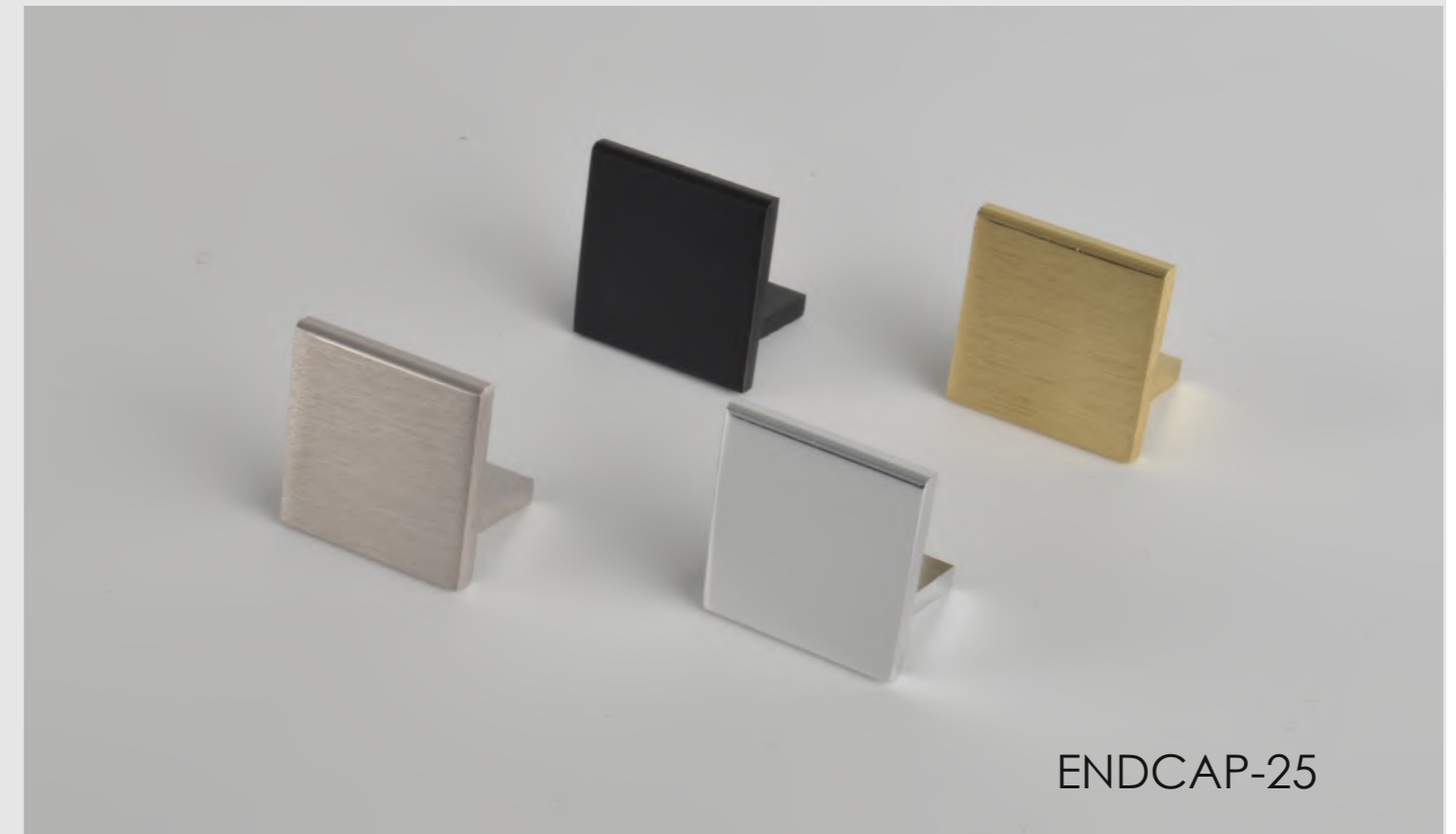
Applicable for:	Length	Brushed Nickel	Matte Black	Chrome	Satin Brass	Polished Nickel	Brushed Bronze	Oil Rubbed Bronze
10mm	120"	UC10-8.BN	UC10-8.BL	UC10-8.CH	UC10-8.SB	UC10-8.PN	-	UC10-8.RB
10mm	144"	UC10-12.BN	UC10-12.BL	UC10-12.CH	UC10-12.SB	-	UC10-12.BBZ	-
12mm	144"	UC12-12.BN	UC12-12.BL	UC12-12.CH	-	-	-	-

End Caps



ENDCAP-50

The End Caps for 10mm Shower U-Channel provide a sleek, professional finish for your shower installation. Designed for compatibility with both 3/8" (10mm) and 1/2" (12mm) glass, these end caps are made from high-quality 6063 aluminum alloy, ensuring durability and a perfect fit for easy installation.



ENDCAP-25



End Caps

The End Caps for 10mm Shower U-Channel provide a sleek, professional finish for your shower installation. Designed for compatibility with both 3/8" (10mm) and 1/2" (12mm) glass, these end caps are made from high-quality 6063 aluminum alloy, ensuring durability and a perfect fit for easy installation.

Model No.	Finish	Sizes
ENDCAP-12.BL	Matte Black	12
ENDCAP-12.BN	Brushed Nickel	12
ENDCAP-12.CH	Chrome	12
ENDCAP-25.BL	Matte Black	25
ENDCAP-25.BN	Brushed Nickel	25
ENDCAP-38.BL	Matte Black	38
ENDCAP-38.BN	Brushed Nickel	38
ENDCAP-50.BL	Matte Black	50
ENDCAP-50.BN	Brushed Nickel	50

Key Features:

Glass Compatibility: Suitable for 3/8" (10mm) glass
 Material: Constructed from 6063 Aluminum Alloy for strength and longevity
 Easy Fit: Simple and efficient to install for a quality finish



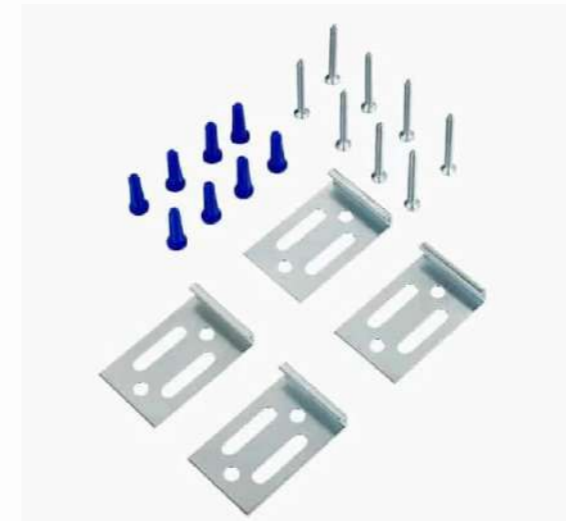
Mirror J-Channel

Backless Moulding
 Low Profile, Which Allows Maximum Mirror Exposure
 Applicable For: 5-6MM Mirrors
 Construction Material: Aluminium
 Stock Lengths: 144" Length
 Size: 1/4"

Model No.	Finish
-----------	--------

JCH-01.BN	Brushed Nickel
JCH-01.BL	Matte Black
JCH-01.CH	Chrome
JCH-01.SB	Satin Brass

FMF Mirror J-Channels are designed to support the mirrors from the bottom. They are an essential mounting hardware accessory to install frameless mirrors. They offer sturdiness, resulting in a seamless mirror installation. If you are looking for a clean and transparent look for bathroom mirrors, J-Channels are an excellent choice.



Zinc Plated Vancouver Clip

Applicable: 5 to 6mm Mirror
 Material: Brushed Zinc
 Slotted to Permit Height Adjustment

Model No.

MRC-05.BZ



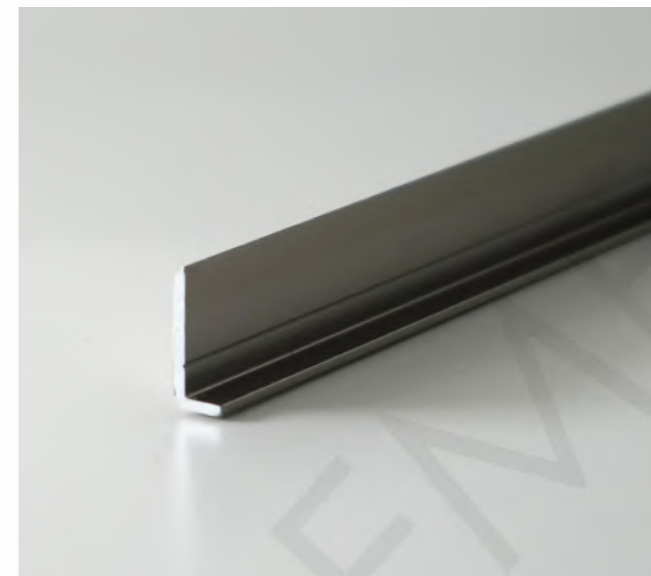
Glass Corner Shelves

Construction Material:
 10mm Clear Tempered Glass
 Can Be Cut To Size
 (In Mississauga Warehouse Location)

Model No.	Size
-----------	------

GS-8x8	8x8
GS-9x9	9x9

These glass shelves are suitable for the humid environments of a bathroom. The triangular shape fits well in corners and provides the most efficient storage for shampoos, soaps, etc. We carry glass shelves in 8" and 9" sizes to match your installation requirements.



Mirror L-Channel

Backless Moulding
 Low Profile, Which Allows Maximum Mirror Exposure
 Applicable For: 5-6MM Mirrors
 Construction Material: Aluminium
 Stock Lengths: 144" Length

Model No.	Finish
-----------	--------

JCH-02.BN	Brushed Nickel
JCH-02.BL	Matte Black
JCH-02.CH	Chrome
JCH-02.SB	Satin Brass

Aluminum Mirror L-Channels from FMF are light-weight and corrosion-resistant. Use them to mount mirrors in the bathroom area for an all-clear look. They are low profile with backless moulding, perfect to achieve an undisturbed look and to add value to any mirror decor in the bathroom area. Their L-shape allows for exposing bevelled edges.



Shower Threshold

Half-Moon Style
Applicable For: Any Glass
Construction Material: Aluminum
Size: 98" Length

Model No.	Finish
STH-01.BN	Brushed Nickel
STH-01.BL	Matte Black
STH-01.CH	Chrome
STH-01.SB	Satin Brass
STH-01.BBZ	Brushed Bronze
STH-03.CL	Clear

These shower door thresholds are used for preventing leaks and containing the water in the shower area. Made of aluminum, these shower door thresholds are available in impressive finishes to complement your theme of the shower area. Our half-moon-styled shower door thresholds are safe, and they do not cause any harm to the feet while using the shower stall.



Sloped Style Shower Door Threshold

Length: 98"
Assists Watershed Back Into Shower
Perfect for Flat or Out-Sloping Curbs
Use Monolithic Tempered Glass

Model No.	Finish
STH-02.BN	Brushed Nickel
STH-02.BL	Matte Black
STH-02.CH	Chrome
STH-02.SB	Satin Brass

These Sloped Style Shower Door Thresholds are mounted directly below the shower door to let the water drain back into the shower stall. Ideal for flat or out-sloping curbs, the rounded low contour of the Half Round Threshold will not harm feet. The Tapered Style Sill leaves a minimal sightline from the exterior of the shower.



New Product

Flat Bar

Construction Material: Aluminum
Applicable For: Glass Showers & Glass Panels
Stock Lengths: 144" Length
Thickness: 1.5mm; Width: 3/4"
Function: Multi-Purpose, Makes Beautiful Grid Pattern On Glass

Model No.	Finish
FBAR-3412.BL	Matte Black
FBAR-3412.CH	Chrome
FBAR-3412.SB	Satin Brass
FBAR-3412.BN	Brushed Nickel

Whether you're adding a touch of elegance to your shower enclosure or creating a unique partition, this flat bar provides the ideal solution.

Flat Bars



Unleash your creativity with our Aluminum Flat Bar, a versatile addition to your glass hardware toolkit. Crafted for both glass showers and glass panels, this flat bar allows you to transform ordinary glass into a stunning grid pattern, elevating your interior design. With its multi-purpose design, the possibilities are endless.

Measuring a generous 144 inches (12 feet) in length, you'll have ample material to bring your vision to life. Crafted from high-quality aluminum, it ensures durability and longevity in any application. Plus, we back the quality of our product with a limited 1-year warranty for your peace of mind.

Support Bars



While we all root for a sophisticated look for our bathroom areas, as it is an essential part of an overall architectural design, one thing we cannot overlook is safety! In process of choosing sleek and modern designs for each component, that is required for shower panels and doors, safety and comfort should always be considered.

FMF hardware keeps that in mind while building products for shower doors. Our support bars are one of them. These bars are tailor-made to fit the needs of style, comfort, and safety. Durable and long-lasting enough for years, they are manufactured with premium quality standards. Our gleaming support bars fit well in today's lives. They are, available in round style, Applicable for glass to wall, These are fit for 10-12mm tempered glass and come with a 3-years limited warranty. Constructed of solid brass, Horizontal & vertical designs, 60" Length.



Glass-to-Wall Support Bracket

Round Horizontal Support Bracket
Glass-To-Wall
Construction Material: Solid Brass
Function: To Secure Unstable Fixed Panel To Wall

Model No.	Finish
SBRK-02.BN	Brushed Nickel
SBRK-02.BL	Matte Black
SBRK-02.CH	Chrome
SBRK-02.SB	Satin Brass

Our Glass-to-Wall support brackets and bars help to secure glass panels of the shower enclosures to the wall. Made of Solid Brass, these bars are able to sustain wet environments and provide durability to shower enclosures for several years. We carry four finishes for the support bars to match the design themes of the bathroom area.



SBRK-02.BL



135° Connector fitting for Glass Support Bar

Compatible With All SBRK Models
Construction Material: Solid Brass
Function: To Secure Unstable Fixed Panel

Model No.	Finish
SBRK-04.BN	Brushed Nickel
SBRK-04.BL	Matte Black
SBRK-04.CH	Chrome
SBRK-04.SB	Satin Brass

Our 135° Connector fittings for Glass Support Bars are made of Solid Brass, ensuring durability and the ability to sustain the moist environment of the bathroom area. They offer a unique and contemporary look to the shower enclosures with their design. The fittings fix the support bars enabling them to secure the glass panels to the wall or ceiling.

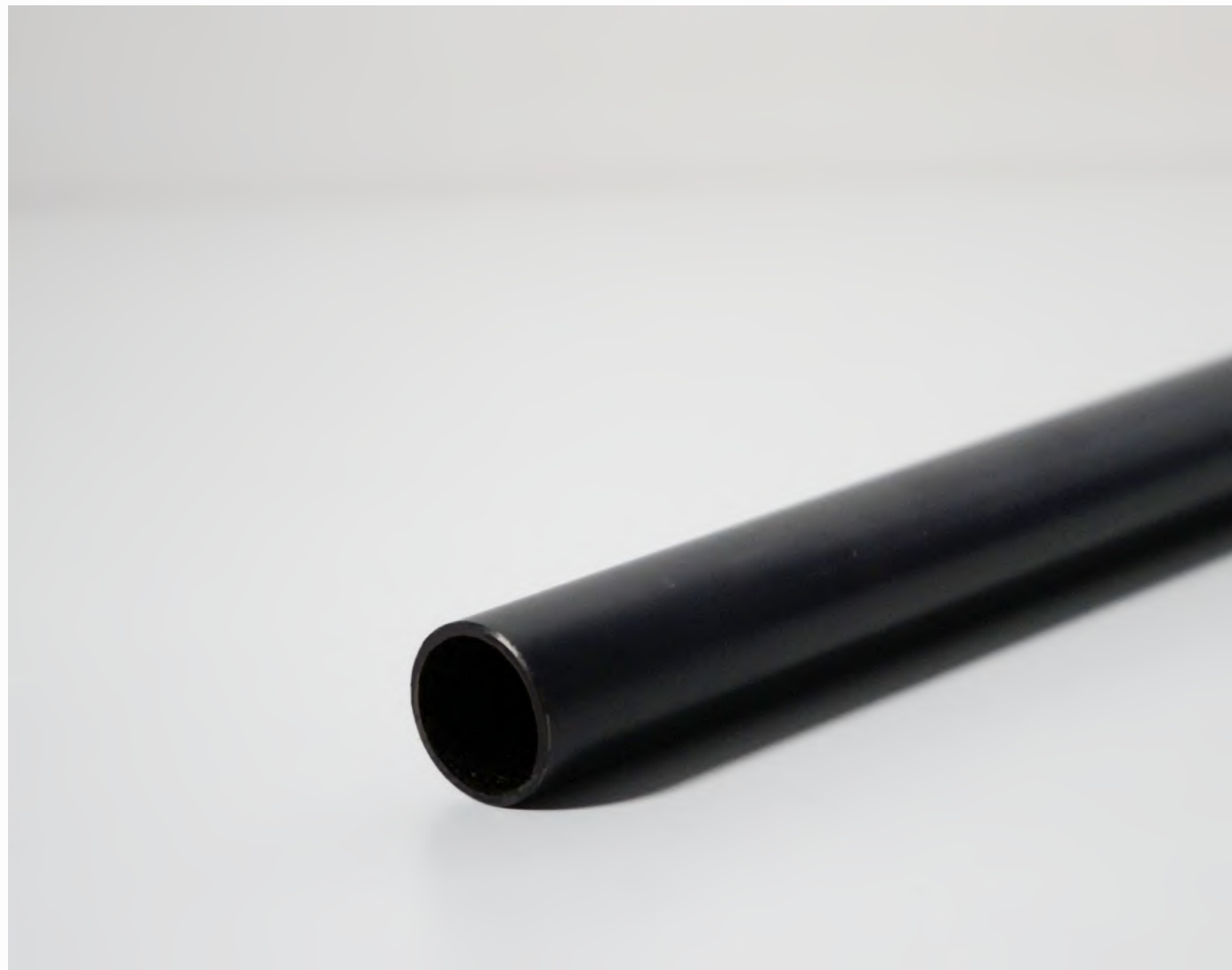


Glass-to-Ceiling Support Bracket

Round Vertical Support Bracket
Construction Material: Solid Brass
Function: To Secure Unstable Fixed Panel To Ceiling

Model No.	Finish
SBRK-01.BN	Brushed Nickel
SBRK-01.BL	Matte Black
SBRK-01.CH	Chrome
SBRK-01.SB	Satin Brass

They are available in four finishes to complement the design theme of your bathroom & match with other shower door hardware. Their round shape uplifts the appearance of the shower enclosure.



Support Bar

Round Support Bar, 48" Stock Length
 Construction Material: Solid Brass
 Function: To Secure Unstable Fixed Panel To Wall or Ceiling

Model No.	Finish
SBRK-05.BN	Brushed Nickel
SBRK-05.BL	Matte Black
SBRK-05.CH	Chrome
SBRK-05.SB	Satin Brass

Our Glass-to-Ceiling/Wall Support Bars stabilize fixed glass panels in shower enclosures that do not touch the ceiling. Made of Solid Brass, they are durable, resistant to wet environments, and rust-proof.



SBRK-03.SB

90° Connector fitting for Glass Support Bar

Compatible With All SBRK Models
 Construction Material: Solid Brass
 Function: To Secure Unstable Fixed Panel

Model No.	Finish
SBRK-03.BN	Brushed Nickel
SBRK-03.BL	Matte Black
SBRK-03.CH	Chrome
SBRK-03.SB	Satin Brass



FMF 90° Connector fittings for Glass Support Bars are an excellent choice for offering support to the glass. They match the design requirements and coordinate with the header support bars and other shower hardware components with their Four finishes. These fittings are one of the popular choices amongst builders and architects.



Round Glass-to-Ceiling Support Bar Kit

Round Series Support Bar Kit
Applicable For: 10-12MM Tempered Glass / Construction Material: Solid Brass/304 Grade Stainless Steel / Shipping Weight: 2 lbs (including 48" Tubular 19MM Ø Bar) / Function: Secures unstable glass fixed panels to the ceiling / Accessories: Fitting Component, Screws, anchors, Allen Key

Model No.	Finish
SBRK-10.BL	Matte Black
SBRK-10.BN	Brushed Nickel
SBRK-10.CH	Chrome
SBRK-10.SB	Satin Brass

The Tubular Ceiling-to-Glass Support Bar Kit is designed to securely fasten 10-12mm tempered glass fixed panels to the ceiling. Made from a combination of solid brass and 304-grade stainless steel, it provides durable support for unstable glass panels, ensuring stability and safety in both residential and commercial settings.

This kit includes a 48" tubular 19mm Ø bar along with all necessary accessories such as fitting components, screws, anchors, and an Allen key for easy installation.

Round Glass-to-Wall Support Bar Kit

Round Glass-to-Wall Support Bar Kit
Tubular Wall-to-Glass Support Bar Kit / Applicable For: 10-12MM Tempered Glass / Construction Material: Solid Brass/304 Grade Stainless Steel / Shipping Weight: 2 lbs (including 48" Tubular 19MM Ø Bar) / Function: Secures unstable glass fixed panels to the wall / Accessories: Fitting Component, Screws, anchors, Allen Key

Model No.	Finish
SBRK-11.BL	Matte Black
SBRK-11.BN	Brushed Nickel
SBRK-11.CH	Chrome
SBRK-11.SB	Satin Brass

The Tubular Wall-to-Glass Support Bar Kit is designed to provide stable support for 10-12mm tempered glass fixed panels by securing them to the wall. Constructed from solid brass and 304-grade stainless steel, it ensures long-lasting durability and effective stabilization for glass installations in both residential and commercial settings.

The kit includes a 48" tubular 19mm Ø bar, along with all the necessary accessories such as fitting components, screws, anchors, and an Allen key for easy assembly.



Wall Mount Support Bar Kit

Wall Mount Support Bar Kit Applicable For: 10-12MM Tempered Glass / Construction Material: Solid Brass/304 Grade Stainless Steel / Shipping Weight: 2 lbs (including 42" Square 19MM Bar) / Function: Secures unstable glass fixed panels to the wall / Accessories: Fitting Component, Screws, anchors, Allen Key

Model No.	Finish
SBRK-21.BL	Matte Black
SBRK-21.BN	Brushed Nickel
SBRK-21.CH	Chrome
SBRK-21.SB	Satin Brass

The Square Wall-to-Glass Support Bar Kit is designed to provide stability for 10-12mm tempered glass fixed panels by securing them to the wall. Constructed with a combination of solid brass and 304-grade stainless steel, it ensures strong, reliable support, making it ideal for both residential and commercial glass installations.

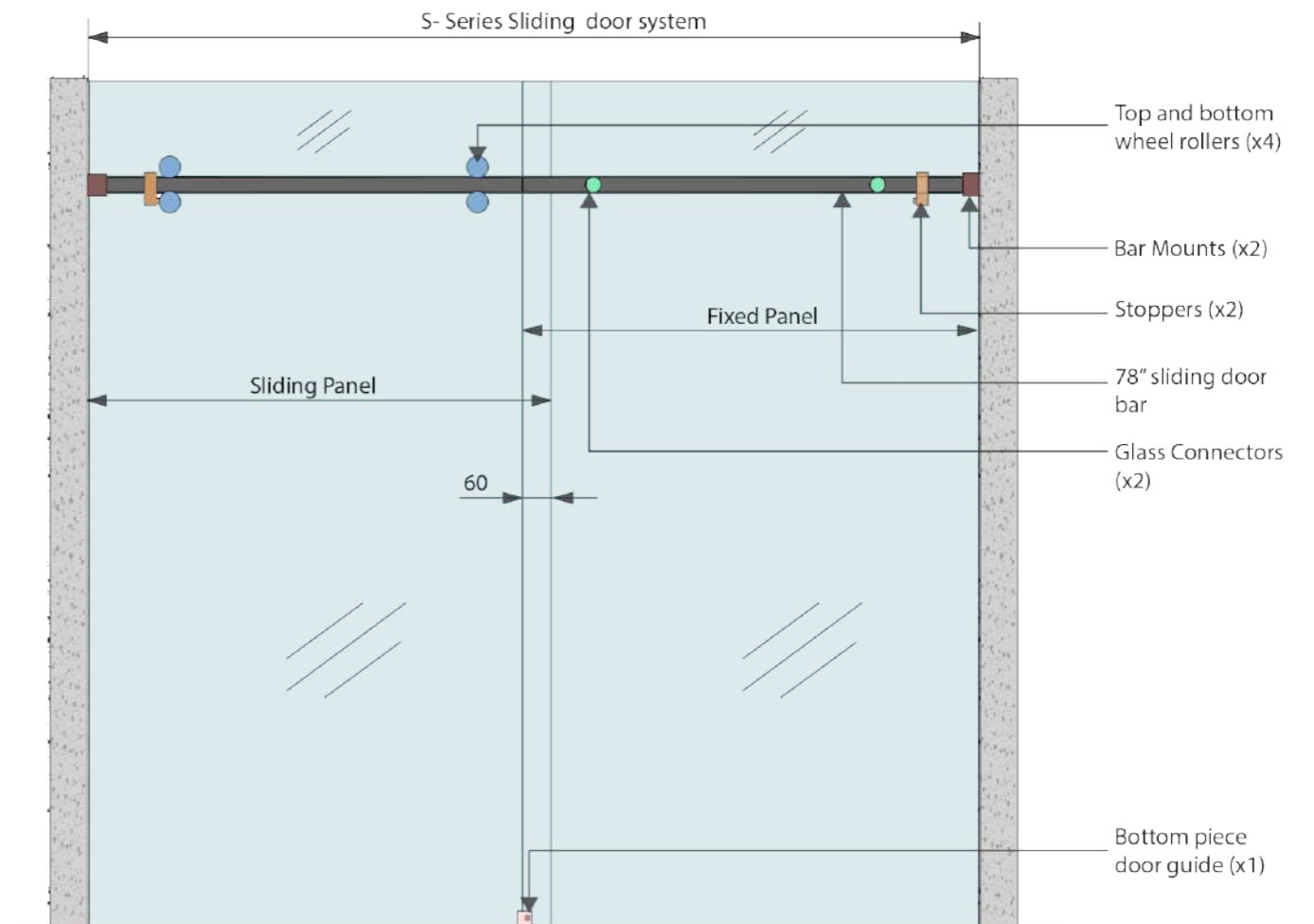
This kit includes a 42" square 19mm bar along with all necessary components, such as fitting parts, screws, anchors, and an Allen key for easy installation.



Sliding Door System Kits



Sliding Door System Kits



Discover a selection of complete kits for your sliding doors. Our sliding door kits are easy to install, designed for heavyweight enclosures, and offer maximum durability. Check out our different styles of sliding door system kits. Choose R-Series Sliding Door Kit for heavier shower door enclosures. Equipped with a round bar and larger wheels to provide safety, combined with elegance for your shower enclosure. These are fit for 10-12mm tempered glass and come with a 1-year limited warranty.

Our S-Series sliding door kit is built for a modern and simple design with a small profile wheel. The kit is perfect for your sliding door enclosures. When it comes to shower door hardware, FMF Glass Hardware is your best choice. All our hardware products are manufactured by expert and trained professionals, considering the modern demands of consumers. Enriching your shower in the bathroom is our job! Maximum opening width 72", maximum opening height: 88", maximum weight: 90 kg.



S-SERIES Sliding Door kit

Construction Material: 304 Grade Stainless Steel
Included With Kit: 4 Wheel Rollers, 2 Door Stoppers, 2 Bar Mounts, 2 Glass Connectors, 1 Door Guider, 78" Square Serenity Bar
Function: Door Slides 180° Left & Right. Fixed Panel Is Secured In Position
Maximum Door Weight: 90 KG

Model No.	Finish
SSK-02.BN	Brushed Nickel
SSK-02.BL	Matte Black
SSK-02.CH	Chrome
SSK-02.SB	Satin Brass
SSK-02.BBZ	Brushed Bronze

Made with Stainless Steel, they are durable and are able to withstand the impact of daily usage of the sliding door. Their minimalistic construction gives an unobstructed view of the glass sliding door. The kits come with wheel rollers, door stoppers, bar mounts, connectors, square bar, etc.



90° Glass Adaptor

Construction Material: 304 Grade Stainless Steel
Function: To Secure A 90° Fixed Panel To A Serenity Sliding Door Kit
Accessories: Screw

Model No.	Finish
SSK-04.BN	Brushed Nickel
SSK-04.BL	Matte Black
SSK-04.CH	Chrome
SSK-04.SB	Satin Brass

Choose our Serenity Sliding Door 90° Adaptors to secure a 90° fixed panel to a serenity sliding door kit. We carry four finishes for the adaptor to match the theme and enhance the design of your sliding door area.



By-Pass Sliding Door Kit

Construction Material: 304 Grade Stainless Steel
Included With Kit: 8 Wheel Rollers, 2 Door-Stoppers, 2 Bar Mounts, Double Door Guider, 78" Double Rectangular Bar
Function: Bi-Directional Sliding Door that Slides 180° Left & Right / Maximum Door
Weight: 40KG per Door

Model No.	Finish
SSK-06.BL	Matte Black
SSK-06.BN	Brushed Nickel
SSK-06.CH	Chrome
SSK-06.SB	Satin Brass

The By-Pass Series Sliding Door Kit (Model: SSK-06) is designed for 8-10mm tempered glass and features durable 304-grade stainless steel construction. The system includes 8 wheel rollers, 2 door stoppers, 2 bar mounts, a double door guider, and a 78" double rectangular bar



S-SERIES Sliding Door Bar only

Serenity Sliding Door Bar Only
Construction Material: 304 Grade Stainless Steel

Model No.	Finish
SSK-03.BN	Brushed Nickel
SSK-03.BL	Matte Black
SSK-03.CH	Chrome
SSK-03.SB	Satin Brass

S-Series Sliding Door Bars are made of premium quality Stainless Steel. They are an essential component of our sliding door system kit. They are strong, durable, and capable of supporting the railing systems for a long time. We carry multiple finishes of sliding door bars to complement the design of your project.



R-SERIES Sliding Door Kit

Construction Material: 304 Grade Stainless Steel
Included With Kit: 4 Wheel Rollers, 2 Door Stoppers, 2 Bar Mounts, 2 Glass Connectors, 1 Door Guider, 78" Round Bar
Maximum Door Weight: 90 KG
Function: Door Slides 180° Left & Right. Fixed Panel Is Secured In Position
Accessories: Screws, Anchors, Allen-Wrench, Fabrication Diagram

Model No.	Finish
RSK-02.BN	Brushed Nickel
RSK-02.BL	Matte Black
RSK-02.CH	Chrome

Sliding doors are one of the popular choices for contemporary renovations of residential and commercial properties. We carry three attractive finishes for these kits to coordinate with the design themes of your project.



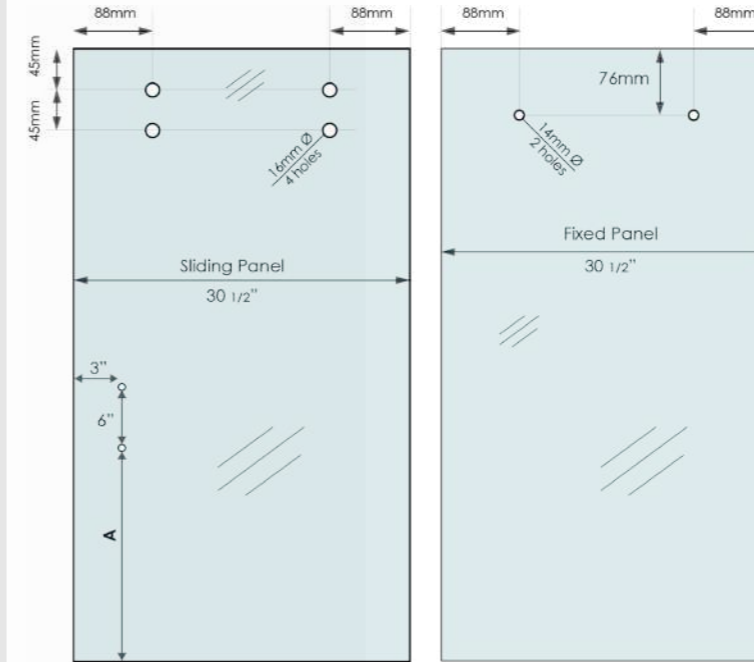
S-Series Sliding Door Fitting

Extra/ Spare Glass Holder Component
Function: Holds Glass Panel to Sliding Bar
Applicable For: SSK Series FMF Sliding Shower Kits
Construction Material: 304 Grade Stainless Steel

Model No.	Finish
SSK-05.BN	Brushed Nickel
SSK-05.BL	Matte Black
SSK-05.CH	Chrome

This Extra Glass Holder Component is the perfect addition to your shower sliding kit, ensuring a reliable and sturdy connection between the glass panel and sliding bar. This component is built to withstand the rigors of daily use while maintaining a sleek and modern appearance.

Stock Shower Doors & Railing Panels

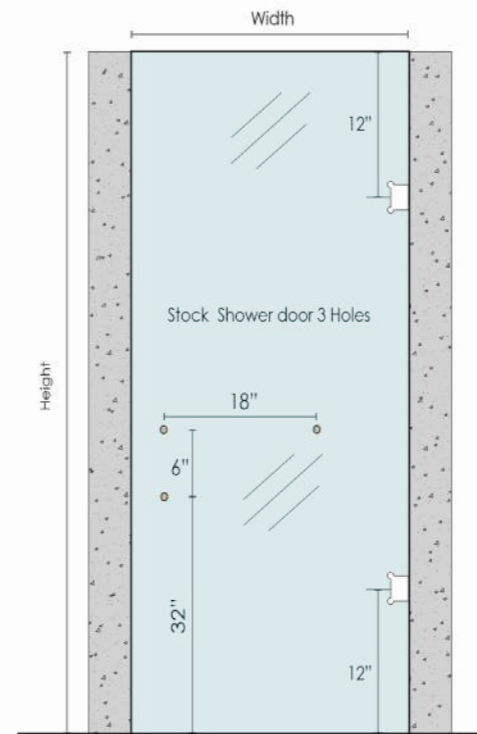


S-Series Stock Glass

Total Opening Width: 56" - 60"
 Handle Holes Distance: 6"
 Handle Holes Diameter: 10mm Ø Holes
 Applicable for: 10mm Clear Tempered Glass
 Compatible Hardware: S-Series Sliding Door Kit

Model No.	Size
60-62	60" x 62"
60-66	60" x 66"
60-68	60" x 68"
60-72	60" x 72"
60-76	60" x 76"
60-78	60" x 78"
60-80	60" x 80"

They are applicable for a stand-up shower, bathtub or swinging glass shower door. FMF shower doors are tempered, polished, and edged.

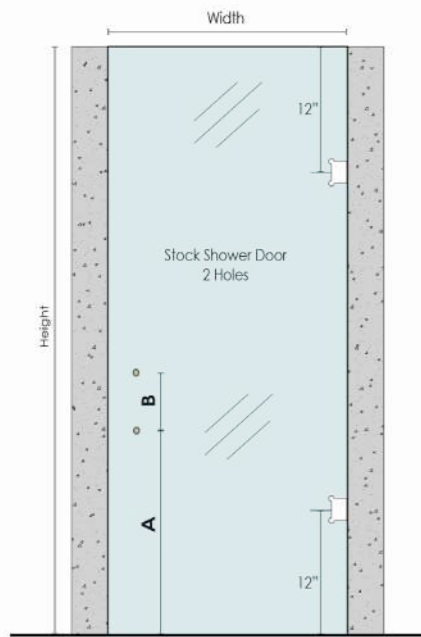


3 Hole Stock Shower Doors

Applicable For: Swinging Glass Shower Doors
 Construction Material: 10 MM Clear Tempered Glass
 Compatible Hardware: FMF Shower Door Hardware
 Hinge Center: 12" To Center Of Hinge
 Holes: 10mm Ø Holes

Model No.	Size	Model No.	Size
2472-3H	24" x 72"	2676-3H	26" x 76"
2476-3H	24" x 76"	2678-3H	26" x 78"
2478-3H	24" x 78"	2680-3H	26" x 80"
2480-3H	24" x 80"	2682-3H	26" x 82"
2482-3H	24" x 82"	2684-3H	26" x 84"
2668-3H	26" x 68"		
2672-3H	26" x 72"		

They are an excellent choice for adding a touch of elegance to your bathroom area. Our quality designs help create a luxurious atmosphere for your bathroom.

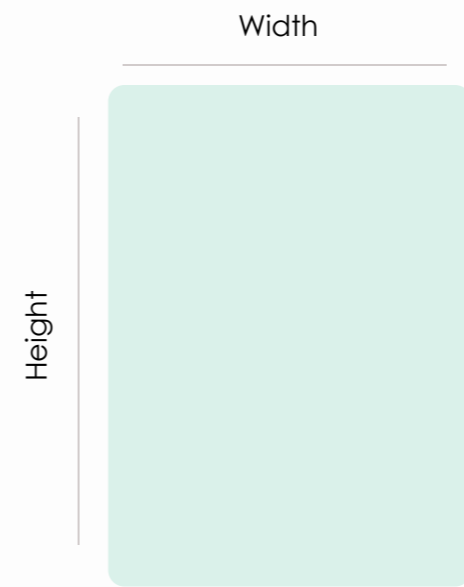


2 Hole Stock Shower Doors

Applicable For: Swinging Glass Shower Doors
 Construction Material: 10 MM Clear Tempered Glass
 Compatible Hardware: FMF Shower Door Hardware
 Hinge Center: 12" To Center Of Hinge
 Holes: 10mm Ø Holes

Model No.	Size	Model No.	Size
2466-2H	24" x 66"	2668-2H	26" X 68"
2468-2H	24" x 68"	2672-2H	26" x 72"
2472-2H	24" x 72"	2676-2H	26" x 76"
2476-2H	24" x 76"	2678-2H	26" x 78"
2478-2H	24" x 78"	2680-2H	26" x 80"
2480-2H	24" x 80"	2682-2H	26" x 82"
2482-2H	24" x 82"	2684-2H	26" x 84"
2484-2H	24" x 84"		

From traditional to a modern theme, our glass shower doors add a sophisticated appeal to the bathroom area. We enable you upscale the bathroom space décor with our stock doors.

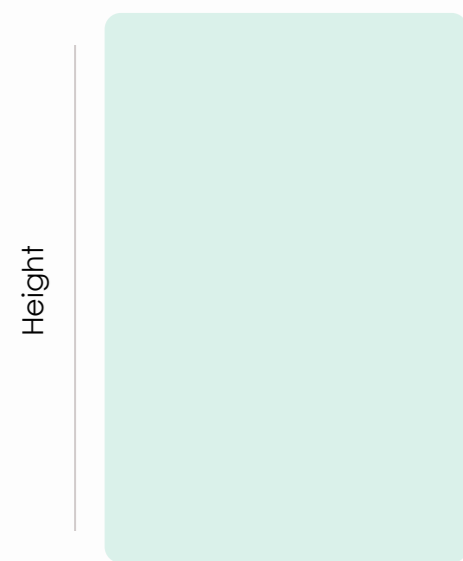


34" Height Railing Panel

Glass Type: 12mm (1/2") Clear Tempered Glass
 Flat polished edge
 For both Interior and Exterior Installation

Model No.	Size	Model No.	Size
34-18	34 x 18	34-48	34 x 48
34-22	34 x 22	34-50	34 x 50
34-26	34 x 26	34-52	34 x 52
34-30	34 x 30	34-54	34 x 54
34-34	34 x 34	34-56	34 x 56
34-36	34 x 36	34-58	34 x 58
34-38	34 x 38	34-60	34 x 60
34-40	34 x 40	34-62	34 x 62
34-42	34 x 42	34-64	34 x 64
34-44	34 x 44	34-66	34 x 66
34-46	34 x 46	34-72	34 x 72

Width



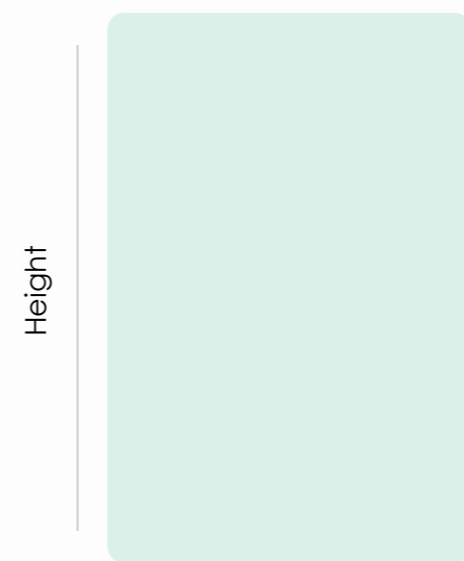
46" Height Railing Panel

Glass Type: 12mm (1/2") Clear Tempered Glass
 Flat polished edge
 For both Interior and Exterior Installation

Model No.	Size	Model No.	Size
46-20	46 x 20	46-60	46 x 60
46-24	46 x 24	46-64	46 x 64
46-28	46 x 28	46-68	46 x 68
46-32	46 x 32	46-70	46 x 70
46-36	46 x 36		
46-40	46 x 40		
46-46	46 x 46		
46-48	46 x 48		
46-50	46 x 50		
46-52	46 x 52		
46-54	46 x 54		
46-56	46 x 56		
46-58	46 x 58		

These glass panels are designed to be compatible with FMF 6" and 8" spigots and base shoe systems, ensuring easy integration with existing glass hardware setups. It offers a dependable solution for various glass panel installations.

Width



41" Height Railing Panel

Glass Type: 12mm (1/2") Clear Tempered Glass
 Flat polished edge
 For both Interior and Exterior Installation

Model No.	Size	Model No.	Size
41-12	41 x 12	41-46	41 x 46
41-16	41 x 16	41-48	41 x 48
41-18	41 x 18	41-50	41 x 50
41-20	41 x 20	41-52	41 x 52
41-22	41 x 22	41-54	41 x 54
41-24	41 x 24	41-56	41 x 56
41-26	41 x 26	41-58	41 x 58
41-28	41 x 28	41-60	41 x 60
41-32	41 x 32	41-62	41 x 62
41-34	41 x 34	41-64	41 x 64
41-36	41 x 36	41-66	41 x 66
41-38	41 x 38	41-68	41 x 68
41-40	41 x 40	41-70	41 x 70
41-42	41 x 42	41-72	41 x 72
41-44	41 x 44		

Installation Accessories

Get all essential bathroom installation accessories—setting blocks, foam tape, sealants, and more—from FMF Glass Hardware. Perfect for smooth, custom renovations.





3/16 Yellow Plugs

Drill Size: 3/16"
4-8 x 7/8"
Quantity: 1000pcs per box

Model No.	Finish
ANCHOR-1000	Yellow



Set-In Blocks

Plastic Setting Blocks (Shims)
100 Pieces/ Package
Applicable For: Glass & Mirrors
Construction Material: Soft PVC Plastic
Function: To Set Glass On Top Of

Model No.	Size
SSB-01	1/16" x 1/4" x 2"
SSB-02	1/8" x 1/4" x 2"
SSB-03	1/4" x 1/4" x 2"



Silicone Tremsil 200

Construction Material: Single-Component, Acetoxy Silicone
Function: To Create a WaterTight Seal Between Glass & Surface
Applicable For: Glass
Ultra Clear Finish, 300ml Tube
Produces A Watertight Seal To Glass
Suitable For Bathrooms & Kitchens

Model No.	Colour
Silicone-720	Clear
Silicone-723	White
Silicone-724	Black



Foaming Glass Cleaner

Function: To Clean Glass Surfaces
Applicable For: Glass
Ammonia Free
Heavy Duty Foam

Model No.	Size
GC-Sprayway	19 Oz can



FMF Clear Neutral Glazing Silicone

Construction Material: Single-Component, Acetoxy Silicone
Function: To Create a WaterTight Seal Between Glass & Surface
Applicable For: Glass
Clear Finish, 300ml Tube
Produces A Watertight Seal To Glass
Suitable For Bathrooms & Kitchens

Model No.	Colour
Silicone-722	Clear



Palmer Mirro Mastic

No Damage On Mirror Silvering
Applicable For: Mirrors
Function: To Secure Mirrors Onto Surfaces

Model No.	Type	Size
Mastic-1Gal	Regular Set	1 Gallon
Mastic-11.RS	Regular Set	11 Oz
Mastic-11.QS	Quick Set	11 Oz



Waterproof Black Spray Paint

Lead Free & Weather Resistant
 Color: Matte Black
 Not Epoxy Based
 Matches With FMF Matte Black Finish
 Size: 11 Oz (311 Grams)

Model No.
 BP-SPRAY

This spray paint is the ideal choice for adding a touch of sophistication to your glass hardware and fixtures. Unlike epoxy-based alternatives, our spray paint delivers a smooth and even coating, ensuring a seamless and professional appearance.

New Product



Glazing Gloves

Glazing Gloves – Latex Crinkle Coated, Black, Size L (5 Pairs per Bag)

Model No.	Size
GLV-01	LL
GLV-02	XL

- Color: Black
- Size Available: Large (L) & Extra Large (XL)
- Quantity: 5 pairs per bag
- Application: Ideal for glass glazing, tile installation, bathroom applications, and general construction work
- Features: Slip-resistant, abrasion-resistant, breathable, and comfortable for extended wear



Heavy Duty Glass Tile Suction Cup

Compatible with: Glass / Tile/ Laminate
Construction Material: Aluminum
Function: To Assist With handling and lifting smooth-surface materials like glass, marble & granite.
2 Cups with Rubber Pads: 130mm Diameter each
Lifting Capacity: 100kg

Application:

Press the suction lifter firmly against the glass surface. The air from the hollow space between the glass and the rubber cups escapes and the result is a vacuum.

The stronger you press the suction lifter against the glass, the more air will escape and the load capacity will be higher.



Modern Glass Hook

Glass-Mounted Robe Hook
 Applicable For: 6-10mm Tempered Glass
 Construction Material: Solid Brass
 Cut Out Required: 10 mm Hole
 Function: To Secure Robe Hook To Glass

Model No.	Finish
HOK-08.BL	Matte Black
HOK-08.CH	Chrome
HOK-08.SB	Satin Brass

Buy FMF's Solid Brass Modern Glass Hook to hang robes or towels in the bathroom. This robe hook can be mounted directly on a glass panel. Perfect for compact spaces in a bathroom, these hooks can be used inside the shower area or outside the shower door.



Glass Hook

Glass-Mounted Robe Hook
 Applicable For: 6-10mm Tempered Glass
 Construction Material: Solid Brass
 Cut Out Required: 10 mm Hole
 Function: To Secure Robe Hook To Glass

Model No.	Finish
HOK-09.BN	Brushed Nickel
HOK-09.BL	Matte Black
HOK-09.CH	Chrome
HOK-09.SB	Satin Brass

The innovative design and modern style are appealing for sophisticated bathroom décor. The premium quality glass door hooks are easy to install. FMF shower door hardware products are known for their excellent performance. Try our shower door hooks for adding style to your bathroom space.

Bolts and Screws



BASH1- Anchors Bolt Screw



Applicable For: FMF Base Shoe Railing System
 Construction Material: 304 Grade Stainless Steel
 Quantity: 10 Pieces Per Pack
 Function: To Bolt Base Shoe to the surface

Model No.	Length
SCF-03S	3 1/2"

Crafted with meticulous attention to detail, this anchor bolt screw is designed to provide exceptional stability and durability for your glass installations. Whether you're working on glass balustrades, glass partitions, or any other glass application, this is the reliable solution you need.

Standoff Anchor Bolt



10 Pieces/ Package
 Applicable For: FMF 38ST & 50ST Standoffs
 Construction Material: 304 Grade Stainless Steel
 Diameter: 3/8" Diameter (Imperial Threads)
 Function: To Secure Anchor Bolt Into Stud For Use Of Standoff

Model No.	Length
SCS-02S	2 1/2"
SCS-03S	3"
SCS-06S	4"
SCS-07S	3"

They are applicable to use in both indoor and outdoor environments. Our bolts and screws are an inevitable part of the installation process of any architectural and railing installation project.

Anchor Lock-Bolt Screw



Applicable For: FMF Railing Posts & Spigots
 Construction Material: Zinc Alloy
 Quantity: 10 Pieces Per Pack
 Function: To Secure Railing Posts & Spigots Into Place

Model No.	Length
SCF-04S	3 1/2"

Designed specifically for FMF Railing Posts & Spigots, these high-quality screws are essential for securing your railing system. Constructed from durable zinc alloy, these screws offer excellent strength and longevity.



Hex Head Wood Tapping Screw

10 Pieces/ Package
 Diameter: 3/8"
 Applicable For: FMF Railing Posts & Spigots
 Construction Material: 304 Grade Stainless Steel
 Function: To Secure Railing Posts & Spigots Into Place

Model No.	Length
SCF-06S	2 1/2"
SCF-08S	3 1/2"

They are perfect for carrying out installation projects in residential and commercial properties. Simplify your architectural projects and accomplish them before time with our wood tapping screws.



Transom Clamp Screw

2 Pieces/ Package
 Diameter: 3/8"
 Applicable For: Transom Clamps
 Construction Material: 304 Grade Stainless Steel
 Function: Used To Secure Transom Clamps

Model No.	Length
SCF-12X	1/2"

These screws make the installation process a lot easier & smoother. We carry two pieces per pack to enable the completion of the installation project. Our installation tools are designed to complement a wide range of installation projects involving transom clamps in exterior & interior spaces.



Commercial Handle Screw

10 Pieces/ Package
 Diameter: 3/8"
 Applicable For: FMF Commercial Handles
 Construction Material: 304 Grade Stainless Steel
 Function: To Apply To Commercial Handles For Thicker Doors

Model No.	Length
SCF-10X	3"

Made of high-quality Stainless Steel, they are strong and provide good support to the handles. They perfectly secure commercial handles to thicker doors. They are suitable to use in commercial and residential properties where heavy doors are installed.



Shower Hinge Screw

10 Pieces/ Package
 Phillips Head
 Applicable For: Wall Mounted Hinges
 Construction Material: 304 Grade Stainless Steel
 Function: To Secure Hinges to wall

Model No.	Length
SCF-13X	2"
SCF-14BL	2"
SCF-14BN	2"
SCF-14CH	2"

These screws are used to secure hinges into a wall. They are strong, corrosion resistant and are able to sustain the wet environments in the shower area. We value the importance of durability and safety around glass shower enclosures. Our screws maintain the structural integrity of these installations.



3/16 Drill Bit V-Groove

Relton Drill Bits
 3/16" Diameter
 Applicable For: Porcelain, Tile, Marble & Hard Surfaces
 Function: To Drill Holes For Shower Door Hinges

This Drill Bit is perfect for shower door installations as they are used to drill holes for shower door hinges. Our clients most often use it for remodels and upgrades of the property. We recommend using V-Groove Bits on Porcelain, Tile, Marble & Hard Surfaces.

Model No.	Size
DR-RE04.316	4"
DR-RE06.316	6"



Magnetic Impact Power Drill Bit

1/4" Diameter
 6" Length
 Allen Head Tip
 Applicable For: Porcelain, Tile, Marble & Hard Surfaces
 Dimensions: 1/4" x 6"

Model No.
DR-LN06.001



Magnetic Impact Power Drill Bit

FMF Magnetic Impact Power Drill Bit w/ Small Phillips Tip
 1/4" Diameter
 4" Length
 Small Phillips Tip
 Applicable For: Porcelain, Tile, Marble & Hard Surfaces
 Dimensions: 1/4" x 4"

Model No.
DR-PH06.002



Robertson Magnetic Impact Power Drill Bits

The FMF Magnetic Impact Power Drill Bit (DR-SQ06) features a 1/4" diameter and a 4" length, with a square tip, making it ideal for drilling through tough surfaces like porcelain, tile, marble, and other hard materials. This tool is designed specifically for drilling holes to install shower door hinges.

Model No.	Size
DR-SQ06.001	#1
DR-SQ06.002	#2

Architectural Hardware

FMF offers the most comprehensive portfolio of products designed to cover your architectural requirements, in addition to our expertise as the leading supplier of architectural glass hardware. We have established ourselves as one of the most dependable names in the architectural glass hardware industry.

As glass hardware suppliers, we provide:

- HYP Series Hydraulic Hinges
- Glass Door Locks
- Patch Fittings
- Handles
- Sliding Systems

Our high-grade products provide innovative solutions and a superior user experience. FMF is upping the standard for architectural glass hardware so you can achieve more than just perfection. All these products are fit for 10-12 MM tempered glass and come with upto 3-years limited warranty.



Hydraulic Patch Fitting Hinges



FMF provides 3 varieties of hydraulic patch fitting hinges: Light-Duty - 80kg, Standard-Duty - 100kg, and Heavy-Duty - 150kg. The hinges prevent visible hardware installations such as cover plates. All hinges come with a 90° hold option enabling the door to hold open and even self-closing. They also allow adjusting the swing speed of the door, providing convenience to use the door. These are fit for 10-12 MM tempered glass and come with a 1-year limited warranty.

The hinges are suitable for interior use only. With these hinges, we offer everything you need to uplift your experience using the door. They promise an appealing look to the area as they are designed to install without overhead closing appliances.



**LIGHT- DUTY HYDRAULIC HINGE
80KG CAPACITY**

Buy FMF Hydraulic Hinges (Light-Duty - 80kg) for an undisturbed look on your glass door installations. They provide durability, due to the capability to sustain the impact of constant opening and closing of doors. They have a Maximum Door Weight of 175 LBS (80 KG) & a Maximum Door Width: Not Exceeding 32"

Technical Specifications	Light- Duty Hydraulic Hinge 80kg
Construction Material	Aluminum Body With 304 Grade Stainless Steel Cover Plate
Function:	To Open & Hold Glass Doors At A 90° Angle, When Closing, Door Swing Speed Can Be Adjusted To Preference
Cutout Required:	Industry Standard, Refer To Attached Diagram on website
Use:	For Interior Use Only, Self closing, No Digging required

Model No.	Finish
HYP-80.SS	Brushed Stainless
HYP-80.PS	Polished Stainless
HYP-80.BL	Matte Black
HYP-80.SB	Satin Brass
HYP-80.SA	Satin Anodized



**STANDARD- DUTY HYDRAULIC HINGE
100KG CAPACITY**

This Hinge is designed to support the doors, allowing an all-visible look to hardware installations like cover plates. They are easy to install and give an appealing look to the overall design of the doors. These hinges are of high quality and durable with an excellent surface. They have a Maximum Door Weight of 225 LBS (100 KG) & a Maximum Door Width: Not Exceeding 36"

Technical Specifications	Standard- Duty Hydraulic Hinge 100kg
Construction Material	Aluminum Body With 304 Grade Stainless Steel Cover Plate
Function:	To Open & Hold Glass Doors At A 90° Angle, When Closing, Door Swing Speed Can Be Adjusted To Preference
Cutout Required:	Industry Standard, Refer To Attached Diagram on website
Use:	For Interior Use Only, Self closing, No Digging required

Model No.	Finish
HYP-100.SS	Brushed Stainless
HYP-100.PS	Polished Stainless
HYP-100.BL	Matte Black



**Standard Duty Non-Hold Hydraulic Hinge
100KG CAPACITY**

The Non-Hold Standard Duty Hydraulic Hinge is a practical and efficient choice for interior glass door installations where a hold-open function is not required. Designed for 10-12mm tempered glass, this hinge delivers smooth, self-closing action with adjustable speed. Ideal for both residential and light commercial use, it offers reliable performance without the need for digging or floor modifications.

Technical Specifications	Standard Duty Non-Hydraulic Hinge 100kg
Construction Material	Aluminum Body With 304 Grade Stainless Steel Cover Plate
Function:	To Open and Not Hold Open, When Closing Swing Speed can be Adjusted
Cutout Required:	Industry Standard, Refer to Diagram on Website
Use:	For Interior Use, No Digging Required

Model No.	Finish
HYP-102.BL	Matte Black
HYP-102.SS	Brushed Stainless



**HEAVY- DUTY HYDRAULIC HINGE
150KG CAPACITY**

This hinge is constructed with an aluminum Body and a Stainless Steel cover plate. Hence, they are durable and able to withstand the constant impact of opening and closing doors. Applicable for interior use, these hinges are easy to install without the requirement of digging. They have a Maximum Door Weight of 330 LBS (150 KG) & a Maximum Door Width: Not Exceeding 39"

Technical Specifications	Heavy- Duty Hydraulic Hinge 150kg
Construction Material	Aluminum Body With 304 Grade Stainless Steel Cover Plate
Function:	To Open & Hold Glass Doors At A 90° Angle, When Closing, Door Swing Speed Can Be Adjusted To Preference
Cutout Required:	Industry Standard, Refer To Attached Diagram on website
Use:	For Interior Use Only, Self closing, No Digging required

Model No.	Finish
HYP-150.SS	Brushed Stainless
HYP-150.PS	Polished Stainless
HYP-150.BL	Matte Black

Hydraulic Patch Fitting Kits

112



Hydraulic Patch Fitting kit Standard duty-100kg

Construction Material: Aluminum Body With 304 Grade Stainless Steel Cover Plate

Kit Includes: 1 HYP-100 Hydraulic Hinge, 1 PAT-02 Patch Fitting, 1 PAT-PIN Pivot Pin

Accessories: Screws, Bolts, Gaskets (Used For 10MM Tempered Glass), Allen Wrench, Fabrication Diagram, Instructions Sheet
For Interior Use Only, Self closing, No Digging required

Model No.	Finish
HYP-101.SS	Brushed Stainless
HYP-101.BL	Matte Black

Discover superior door functionality and modern aesthetics with this kit. Crafted to elevate your glass door experience, this kit offers a seamless blend of form and function. Engineered for easy installation and smooth operation, it ensures your glass doors open and close effortlessly, making it a perfect choice for both residential and commercial applications.

Hydraulic Patch Fitting kit Light Duty- 80kg

Construction Material: Aluminum Body With 304 Grade Stainless Steel Cover Plate

Kit Includes: 1 HYP-80 Hydraulic Hinge, 1 PAT-02 Patch Fitting, 1 PAT-PIN Pivot Pin

Accessories: Screws, Bolts, Gaskets (Used For 10MM Tempered Glass), Allen Wrench, Fabrication Diagram, Instructions Sheet
For Interior Use Only, Self closing, No Digging required

Model No.	Finish
HYP-81.SS	Brushed Stainless
HYP-81.BL	Matte Black
HYP-81.SA	Satin Anodized
HYP-81.SB	Satin Brass

This kit is built to meet your needs, offering reliability & durability in one package. Whether you're upgrading an existing door or installing a new one, this kit is the perfect choice. With easy installation and the assurance of high-quality performance, your doors will effortlessly glide open and close, creating an impressive and inviting entryway.

Hydraulic Patch Fitting kit Heavy duty-150kg

Construction Material: Aluminum Body With 304 Grade Stainless Steel Cover Plate

Kit Includes: 1 HYP-150 Hydraulic Hinge, 1 PAT-02 Patch Fitting, 1 PAT-PIN Pivot Pin

Accessories: Screws, Bolts, Gaskets (Used For 10MM Tempered Glass), Allen Wrench, Fabrication Diagram, Instructions Sheet
For Interior Use Only, Self closing, No Digging required

Model No.	Finish
HYP-151.SS	Brushed Stainless
HYP-151.BL	Matte Black

This kit is engineered for heavy use while maintaining a sleek and elegant appearance. Whether you're installing new doors or upgrading existing ones, this kit offers unparalleled performance. With easy installation and a focus on durability, your glass doors will effortlessly glide open and close, creating a lasting impression in any environment. Upgrade your space with it.

Hydraulic Door Rail Systems

New Product





Lock for Hydraulic Door Rail System

Construction Material: 316 Grade Stainless Steel
Function: Locks open and close the HYP-R100 Hydraulic Door Rail System
 No Cutout Required

Model No.	Finish
HYP-R02.BN	Brushed Nickel
HYP-R02.BL	Matte Black

Introducing our state-of-the-art Lock for Hydraulic Door Rail System, a pinnacle of security and functionality brought to you by FMF Glass Hardware. With locking components engineered to perfection, this product ensures unparalleled security, assuring peace of mind for both residential and commercial applications.

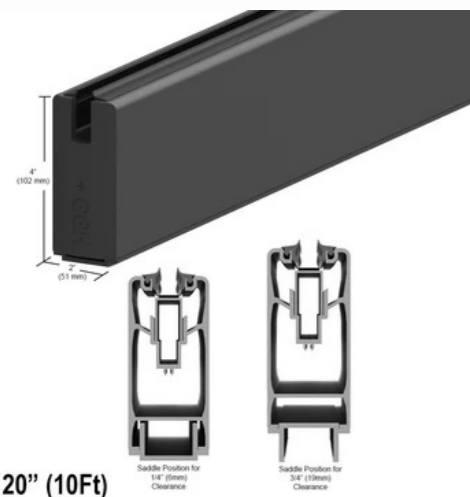


Hydraulic Door Rail System

Applicable For: 12MM Tempered Glass
Construction Material: Aluminum Body With 316 Grade Stainless Steel Cover Plate
Function: Hold Open at 90 degrees. When closing, Door Swing can be adjusted to preference
Width: 2 Inches; **Height:** 4.25 Inches; **Length:** 35.5 Inches
 No Cutout Required; Self Closing

Model No.	Finish	Length
HYP-R10036.BL	Matte Black	36"
HYP-R10036.BN	Brushed Nickel	36"
HYP-R10038.BL	Matte Black	38"
HYP-R10038.BN	Brushed Nickel	38"

Experience the perfect blend of form and function as our Hydraulic Bottom Door Rail redefines convenience in glass hardware. Whether it's for residential or commercial use, the speed-adjustable feature adapts to your preferences, while the self-closing mechanism adds an extra layer of sophistication to your space.



4" Sidelite Rail System

Compatible: 4" Commercial Door Rail System
 Length: 120"
 Includes roll-in gasket for 1/2" glass

Model No.	Finish
SRC4-10.BN	Brushed Nickel
SRC4-10.BL	Matte Black

The 4" Sidelite Rail System is an essential component for storefront installations, offering comprehensive hardware solutions when paired with the 4" Sidelite Rail System. This system is designed to be compatible with existing hardware, making it ideal for replacement work and seamless integration.

120" (10Ft)



4" Sidelite Rail System End Cap

Several Finishes Available to Match Sidelite Rails
 Quick and Simple setup
 Use Monolithic Tempered Glass

Model No.	Finish
SRC4-CAP.BN	Brushed Nickel
SRC4-CAP.BL	Matte Black

The 4" Sidelite Rail System End Cap provides a clean and professional finish for sidelite rail systems. Designed for quick and hassle-free installation, this endcap enhances the durability and aesthetics of glass rail assemblies.



4" Commercial Top Door Rail

Top- Door Rail System / Width: 2" Height: 4 1/4"
 Length: 37 3/4" / Applicable For: 10-12MM Tempered Glass / Construction Material: Aluminum Body With 316 Grade Stainless Steel Cover Plate / No Cutout Required

Model No.	Finish	Length
TOP-DR0136.BL	Matte Black	36"
TOP-DR0136.BN	Brushed Nickel	36"
TOP-DR0138.BL	Matte Black	38"
TOP-DR0138.BN	Brushed Nickel	38"

The FMF Commercial Top Glass Door Rail Profile offers a strong, durable, and compact solution for frameless glass door installations. Designed with a lock-free profile, this rail provides a clean, modern aesthetic while ensuring strength and long-lasting reliability. Perfect for commercial, residential, and hospitality applications, this top rail complements frameless glass doors, partitions, and railings.

G-Series Hydraulic Hinges



FMF offers a variety of hydraulic hinges for a constant and efficient opening and closing of the door. These hinges allow the door to close itself smoothly. They are applicable for both interior and exterior use. The hinges can rotate 90° to 180° with a constant speed. These are fit for 10-12 MM tempered glass and come with a 1-year limited warranty.

All hinges come with a limited 1-year warranty. These hinges are easy to install, manufactured with high-quality standards and are safe and durable for years to come!



180° HYDRAULIC HINGE GLASS-TO-GLASS

Constructed with high-quality these Hinges, ensure quality and longevity. They are sturdy and are able to resist daily wear and tear due to the usage of the door. Sold In Pairs (Top & Bottom Hinge)

They have a Maximum Door Weight of 175 LBS (80 KG) & a Maximum Door Width: Not Exceeding 36".

Technical Specifications	180° Hydraulic Glass-to-Glass Hinge
Construction Material	316 Grade Stainless Steel
Function:	To Open & Hold Glass Doors At A 90° Angle, When Closing, Door Swing Speed Can Be Adjusted To Preference
Cutout Required:	Industry Standard, Refer To Attached Diagram on website
Use:	For Both Exterior & Interior Use; Self Closing

Model No.	Finish
HYP-203.SS	Brushed Stainless
HYP-203.BL	Matte Black



90° HYDRAULIC HINGE WALL -MOUNT

Designed for interior and exterior use, these hinges can be installed easily and conveniently. The hinges allow the doors to automatically close, saving time and effort for the user. Sold In Pairs (Top & Bottom Hinge).

They have a Maximum Door Weight of 175 LBS (80 KG) & a Maximum Door Width: Not Exceeding 36".

Technical Specifications	90° Hydraulic Glass-to-Glass Hinge
Construction Material	316 Grade Stainless Steel
Function:	To Open & Hold Glass Doors At A 90° Angle, When Closing, Door Swing Speed Can Be Adjusted To Preference
Cutout Required:	Industry Standard, Refer To Attached Diagram on website
Use:	For Both Exterior & Interior Use; Self Closing

Model No.	Finish
HYP-201.SS	Brushed Stainless
HYP-201.BL	Matte Black

Patch Fittings



Patch fittings from FMF are designed to reflect the style. With the sleek and neat design, our comprehensive range of patch fittings showcase elegance, whether seen in frames or any other glass integrations. These are fit for 10-12 MM tempered glass and come with a 3-year limited warranty.

Our patch fittings come in various types, such as Top Crank, Top L-Crank, Wall-Mounted Pivot, and Top Door patch fitting. Our fittings are applicable for FMF hydraulic patch hinges, door stoppers and other FMF Patch Fittings.



Sidelite Mount Transom Patch Fitting

Cut Out Required: Refer To Attached Diagram on website

Pivot Pin Is Included For Interior Use Only

Construction Material: Aluminum Body With 304 Grade Stainless Steel Cover Plate

Function: Connects Transom to Sidelite Glass Panel

Model No.	Finish
PAT-01.SS	Brushed Stainless
PAT-01.BL	Matte Black
PAT-01.PS	Polished Stainless
PAT-01.SB	Satin Brass
PAT-01.SA	Satin Anodized

This Patch Fitting is durable & easy to use. They're a practical component of architectural projects with beautiful finishes to enhance the theme.



Top Door Patch Fitting

Cut Out Required: Refer To Attached Diagram on website

Pivot Pin Is Not Included For Interior Use Only

Construction Material: Aluminum Body With 304 Grade Stainless Steel Cover Plate

Function: Connects Door to Ceiling/ Fixed Transom Glass Panel

Model No.	Finish
PAT-02.SS	Brushed Stainless
PAT-02.BL	Matte Black
PAT-02.PS	Polished Stainless
PAT-02.SB	Satin Brass
PAT-02.SA	Satin Anodized

These are suitable for top-quality pivot point installation. They are flexible enough to any fitting requirement with the right installation. Their construction in aluminum gives them durability and strength to fight the impact of daily usage of glass doors.



Top L-Crank Patch Fitting

Cut Out Required: Refer To Attached Diagram on website

Door Swings Both Ways For Interior Use Only

Construction Material: Aluminum Body With 304 Grade Stainless Steel Cover Plate

Function: Connects Transom

Model No.	Finish
PAT-04.SS	Brushed Stainless
PAT-04.BL	Matte Black
PAT-04.PS	Polished Stainless
PAT-04.SB	Satin Brass
PAT-04.SA	Satin Anodized

These patch fittings are widely appreciated for their faultless performance by our clients. They are designed to fix over panel and side panels. They can keep a smooth surface for a long time.



Wall Mounted Pivot Patch Fitting

Cut Out Required: Refer To Attached Diagram on website

Pivot Pin Is Included For Interior Use Only

Construction Material: Aluminum Body With 304 Grade Stainless Steel Cover Plate

Function: Connects Transom Glass Panel to Door

Model No.	Finish
PAT-03.SS	Brushed Stainless
PAT-03.BL	Matte Black
PAT-03.PS	Polished Stainless
PAT-03.SB	Satin Brass
PAT-03.SA	Satin Anodized

These are designed to secure patch fittings to pivot patch. Applicable for interior use only, these fittings are one of the popular choices of builders and architects for their architectural projects.



Prima Patch Fitting

New Product

Cut Out Required: Refer To Attached Diagram on website

Pivot Pin Is Not Included For Interior Use Only

Construction Material: Aluminum Body With 304 Grade Stainless Steel Cover Plate

Function: Connects Door to Ceiling/ Fixed Transom Glass Panel

Model No.	Finish
PAT-07.SS	Brushed Stainless
PAT-07.BL	Matte Black
PAT-07.PS	Polished Stainless

Suitable for interior spaces of commercial properties and for top-quality pivot point installation. They are flexible enough to any fitting requirement with the right installation.



Top Crank Patch Fitting

Cut Out Required: Refer To Attached Diagram on website

Door Only Opens One Way For Interior Use Only

Construction Material: Aluminum Body With 304 Grade Stainless Steel Cover Plate

Model No.	Finish
PAT-05.SS	Brushed Stainless
PAT-05.BL	Matte Black
PAT-05.PS	Polished Stainless

Function: Connects Transom Glass

These are designed to fix over panel and side panels. Suitable for interior applications, these fittings enable the movement of the door in both directions. These fittings are sturdy to retain their original shape & resist rust.



Commercial Bottom Door Patch with Pivot Insert

Cut Out Required: Refer To Attached Diagram on website.

Pivot Pin Is Included

Model No.	Finish
PAT-08.SS	Brushed Stainless
PAT-08.BL	Matte Black

Construction Material: Aluminium Body With 304 Grade Stainless Steel Cover Plate

Function: Connects Transom Glass Panel to Door

Are used with our bottom door pivots or floor closers. It fits in the lower corner of the glass panel, and requires a hole and cut-out in the glass. Available in brushed or polished stainless steel finishes.



Door Stop Patch Fitting

Cut Out : No Cut-Out Required
Compatible with: PAT-01

2 Holes For Mounting Screws
For Interior Use Only

Construction Material: Aluminum Body With 304 Grade Stainless Steel Cover Plate

Model No.	Finish
PAT-06.SS	Brushed Stainless
PAT-06.BL	Matte Black

Function: Stops Door From Opening On Both Sides

Used for an effective all-glass appearance, these Door Stop Patch Fittings are seen in offices or other commercial spaces. They are compatible with all FMF patch products.



Patch Pivot - Bottom Free-Swinging Pivot for Floor Mounting

Cut out : No Cut-Out Required

Construction Material: Aluminium Body With 304 Grade Stainless Steel Cover Plate

Function: Support heavier glass doors

Model No.	Finish
PAT-09.SS	Brushed Stainless
PAT-09.BL	Matte Black

This pivot provides a 440 lb. (200 kg) weight capacity to support heavier glass doors commonly used with bottom Door Rails and Patch Fittings.



Floor Mounted Adjustable Free-Swing Pivot

Cut out : No Cut-Out Rquired

Construction Material: Aluminium Body With 304 Grade Stainless Steel Cover Plate

Model No.	Finish
PAT-10.SS	Brushed Stainless
PAT-10.BL	Matte Black

designed to allow a 3/16" (5 mm) height adjustment of the door. The height of the door can be adjusted after installation.

Commercial Door Handles



Where do you see glass doors? Everywhere! From malls, and hotels, to sophisticated houses. Glass doors are an essential part of a structural architectural design. Hence, choosing the door handles for glass doors is an important part of the overall theme and look of the area. These are fit for 10-12 MM tempered glass and come with a 3-years limited warranty.

FMF commercial glass door handles are available in 5 types: Locking Pull Handles, Ladder Style Square Handle, Ladder Style Round Handle, and Round Door Handle. Promoting easy opening and closing of the glass doors, FMF glass door handles are perfect for your architectural project.

Drum Pin Patch Fitting

Cut Out Required: Refer To At-tached Diagram on website

Construction Material: 304 Grade Stainless Steel

Function: Secures top patch fittings

Pivot Pin Is Included For Interior Use Only

Model No.	Finish
PAT-PIN.SS	Brushed Stainless
PAT-PIN.BL	Matte Black
PAT-PIN.PS	Polished Stainless
PAT-PIN.SB	Safin Brass
PAT-PIN.SA	Satin Anodized

They are an excellent choice for accomplishing glass door installations in commercial areas. These fittings provide a touch of elegance to the overall installation of the glass doors. Appropriate for offices & hotels.



Commercial Door Handles



COMMERCIAL LADDER STYLE ROUND HANDLE

Technical Specifications	Commercial Ladder Style Round Handle
Construction Material	304 Grade Stainless Steel
Projection from Surface:	3" Projection
Cutout Required:	Refer To Attached Diagram on website
Use:	For Both Exterior & Interior Use



OFFSET COMMERCIAL ROUND HANDLE

These offset ladder-style handles will not only complement the look of the glass doors but also provide strength to pull the handles. They come in pairs for installing each handle on the opposite sides of the glass door.

Technical Specifications	Commercial Ladder Style Square Handle
Construction Material	304 Grade Stainless Steel
Projection from Surface:	3" Projection
Cutout Required:	Refer To Attached Diagram on website
Use:	For Both Exterior & Interior Use

H-Round Handle Size	Matte Black (BL)	Brushed Stainless (SS)	Polished Stainless (PS)	Satin Brass (SB)	Satin Anodized (SA)
12"	CH11-8.BL	CH11-8.SS	CH11-8.PS	-	-
24"	CH11-12.BL	CH11-12.SS	CH11-12.PS	CH11-12.SB	CH11-12.SA
30"	CH11-18.BL	CH11-18.SS	CH11-18.PS	-	-
36"	CH11-24.BL	CH11-24.SS	CH11-24.PS	-	-
48"	CH11-36.BL	CH11-36.SS	-	-	-
60"	CH11-48.BL	CH11-48.SS	-	-	-
72"	CH11-60.BL	CH11-60.SS	-	-	-

Handle Size	Matte Black (BL)	Brushed Stainless (SS)
24"	CH13-12.BL	CH13-12.SS
30"	CH13-18.BL	CH13-18.SS
36"	CH13-24.BL	CH13-24.SS
48"	CH13-36.BL	CH13-36.SS
60"	CH13-48.BL	CH13-48.SS
72"	CH13-60.BL	CH13-60.SS



COMMERCIAL ROUND HANDLE

FMF Commercial Round Door Handles are designed to add a refined touch to the glass doors. Adding a glass door to any architectural design is common today. Hence, the glass door handles for these glass doors become a critical component as the handles can enhance the overall look.

Technical Specifications	Commercial Round Door Handle
Construction Material	304 Grade Stainless Steel
Projection from Surface:	3" Projection
Cutout Required:	Refer To Attached Diagram on website
Use:	For Both Exterior & Interior Use

Handle Size	Matte Black (BL)	Brushed Stainless (SS)
12"	CH10-12.BL	CH10-12.SS
18"	CH10-18.BL	CH10-18.SS
24"	CH10-24.BL	CH10-24.SS



COMMERCIAL LADDER STYLE SQUARE HANDLE

These back-to-back handles are one of the preferred hardware components for architects and designers to enrich the look of the glass doors, along with providing support to the doors for pulling and closing them. Choose our glass door handles for complementing your glass doors in any area.

Technical Specifications	Commercial Ladder Style Square Handle
Construction Material	304 Grade Stainless Steel
Projection from Surface:	3" Projection
Cutout Required:	Refer To Attached Diagram on website
Use:	For Both Exterior & Interior Use

H-Square Handle Size	Matte Black (BL)	Brushed Stainless (SS)
12"	CH12-12.BL	CH12-12.SS
24"	CH12-24.BL	CH12-24.SS
36"	CH12-36.BL	CH12-36.SS

Commercial Round Handle Cap



COMMERCIAL ROUND HANDLE CAP

Cap for Commercial H-Style Round Pull Handle / Applicable For: 10-12MM Tempered Glass / Construction Material: 304 Grade Stainless Steel / Cut Out Required: Please Refer To Attached Cut Out Diagram Above / Size: 32mm Dia + 40mm Length Bolt

Model No.	Finish
CH11-CAP.BL	Matte Black
CH11-CAP.SS	Brushed Stainless

Add a sophisticated touch to your glass door with FMF's commercial glass door handles. Our solid brass glass door handles are designed to complement the overall bathroom décor with maximum functionality.

Square Tube Commercial Pull Handle



SQUARE TUBE COMMERCIAL PULL HANDLE

Square Tube Commercial Pull Handle / Applicable For: 10-12MM Tempered Glass / Construction Material: 304 Grade Stainless Steel / Cut Out Required: Please Refer To Attached Cut Out Diagram Below

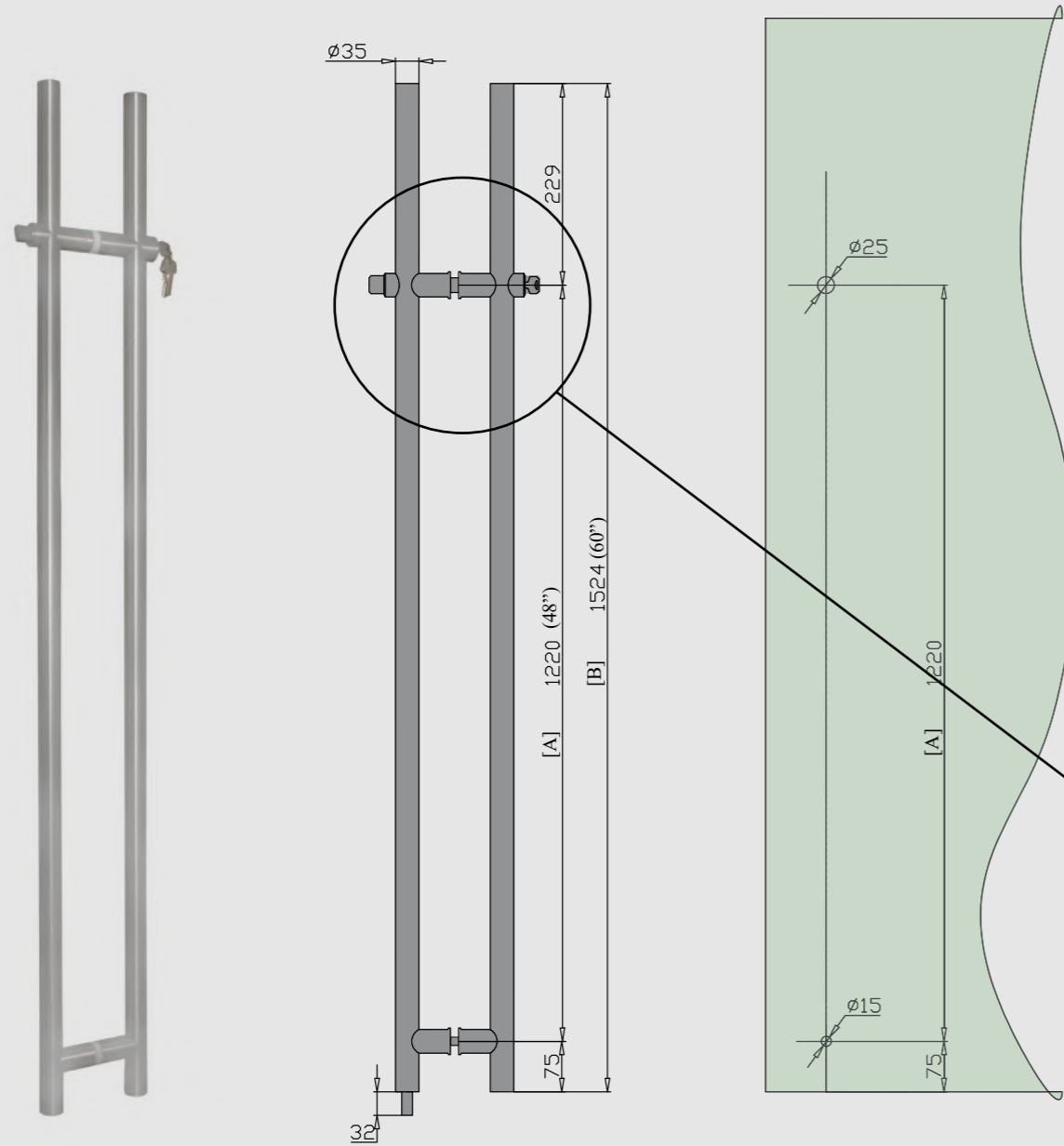
Square Handle Size	Matte Black (BL)	Brushed Nickel (BN)
12"	CH14-12.BL	CH14-12.BN
24"	CH14-24.BL	CH14-24.BN
36"	CH14-36.BL	CH14-36.BN

For Use With: 3/8" to 1/2" (10 to 12 mm) Glass

Construction: 1" (25 mm) Square Stainless Steel Tubing

Glass Fabrication Required: Two 3/8" (12 mm) Diameter Holes

Commercial Locking Handles



COMMERCIAL LOCKING PULL HANDLE

Length "A"	Length "B"	Matte Black (BL)	Brushed Stainless (SS)
36"	48"	LH11-36.BL	LH11-36.SS
48"	60"	LH11-48.BL	LH11-48.SS

Technical Specifications	Commercial Locking Pull Handle
Construction	304 Grade Stainless Steel, 1 year limited warranty
Projection from Surface:	3" Projection
Cutout Required:	Refer To Attached Diagram on website





Glass Door Locks

FMF glass door locks promise safe performance and elegant designs. Our glass door locks do not hinder the aesthetic look of glass doors; instead, they complete the look of the glass doors with a high degree of safety. These are fit for 10-12 MM tempered glass and come with a 1-year limited warranty.

FMF offers distinct types of glass door locks for security and durability. From keyed locks to smart digital locks, we offer 9 types of glass door locks for your perusal. Take a look at our collection of locks and choose one that suits best your requirements.

200 Series Glass Door Locks



Cut Out Required: Refer To Attached Diagram on website
 Construction Material: Aluminum Body With 304 Grade Stainless Steel Cover
 FMF Pro Commercial Glass Door Lock

Model No.	Finish
GDL-200.SS	Brushed Stainless
GDL-200.BL	Matte Black

3 Keys Included
 For Interior Use Only

The locks come with keys & gaskets to safeguard the glass. Made of Stainless Steel, the glass door locks are durable, resistant to corrosion, & can withstand harsh weather impact.

400 Series Glass Door Locks



Cut Out Required: Slip-On Lock, No Cut Out Required
 Construction Material: Aluminum Body With 304 Grade Stainless Steel Cover Plate
 Circle Glass Door Lock
 3 Keys Included
 For Interior Use Only

Model No.	Finish
GDL-400.SS	Brushed Stainless
GDL-400.BL	Matte Black

These locks are the best choice for anyone looking for a combination of maximum security, design, and quality. They do not require any cut-outs on the glass, offering a seamless appearance of the glass door.

300 Series Glass Door Locks



Cut Out Required: Refer To Attached Diagram on website
 Construction Material: Aluminum Body With 304 Grade Stainless Steel Cover Plate
 Rectangular Commercial Glass Door Lock
 3 Keys Included
 For Interior Use Only

Model No.	Finish	Use
GDL-300.SS	Brushed Stainless	Glass-Glass

The neat rectangular shape with curved edges provides a sophisticated appearance to the overall theme around the glass doors. The fixed and solid handles are strong enough to pull and push them multiple times for several years.

402 Series Glass Door Locks



Cut Out Required: Slip-On Lock, No Cut Out Required, With Thumb Lock
 Construction Material: Aluminum Body With 304 Grade Stainless Steel Cover Plate
 3 Keys Included
 For Interior Use Only

Model No.	Finish
GDL-402.SS	Brushed Stainless
GDL-402.BL	Matte Black

Get the best value of our glass door locks by installing them on your glass doors at the front gate, patio, etc. They are available in several styles, such as glass-to-glass locks & glass-to-wall locks, along with a Brushed Stainless finish to match every design requirement of architects. With these, your security is improved.

500 Series Glass Door Locks



Cut Out Required: Refer To Attached Diagram on website
 Construction Material: Aluminum Body With 304 Grade Stainless Steel Cover Plate
 For Interior Use Only
 Glass Door Latch Lock, Twist and Turn

Model No.	Finish
GDL-500.SS	Brushed Stainless
GDL-500.BL	Matte Black
GDL-500.PS	Polished Stainless

Whether you are looking to remodel the existing property to build new construction, glass doors are in trend. If you are installing glass doors at your new commercial or residential project, then try our 500 Series Glass Door Locks for securing these glass doors.



Glass Floor Latch

Cut Out Required: 2 Holes With 10mm Diameter
 Construction Material: 316 Grade Stainless Steel
 Function: Floor Latch For Glass Gates,
 Primarily Used For Pool Fencing
 For Interior & Exterior Use
 3" Gap

Model No.	Finish	Use
GATE-LAC03.SS	Brushed Stainless	Glass-Glass
GATE-LAC03.BL	Matte Black	Glass-Glass

The latch locks firmly into the floor, offering not only security but also a clean & unobtrusive appearance. Measuring 7" in length from the base and featuring a hole-to-hole size of 1 3/4", this latch is a versatile addition to your pool area. Upgrade the safety & style of your pool fencing with it.

Glass-to-Glass/ Floor Door Latch



Glass Door Latch Lock Twist & Turn Lock / Applicable For: 10-12MM Tempered Glass / Construction Material: Aluminum Body With 304 Grade Stainless Steel Cover / Shipping Weight: 1.6 LBS (725 Grams Approx.) / Cut Out Required: Please Refer To Attached Cut Out Diagram Above / Accessories: Gaskets, Fabrication Diagram

Model No.	Finish
GDL-502.BL	Matte Black
GDL-502.BN	Brushed Nickel

Glass Door Latch Lock Twist & Turn Lock / Applicable For: 10-12MM Tempered Glass / Construction Material: Aluminum Body With 304 Grade Stainless Steel Cover / Shipping Weight: 1.6 LBS (725 Grams Approx.) / Cut Out Required: Please Refer To Attached Cut Out Diagram Above / Accessories: Gaskets, Fabrication Diagram

New Product



Modern Smart Digital Lock with WIFI

No Cutout Required, Slip-on Lock
 Construction Material: Aluminum Body With 304 Grade Stainless Steel Cover Plate
 For Interior Use Only
 Features: Wifi support, Inbuilt Doorbell, Bluetooth, Unlocks With Password, Key Card, Mechanical key, Fingerprint or Supported Phone Application.

Model No.	Finish	Use
SGDL-G300	Matte Black	Glass-Glass

This lock has a modern design that complements glass doors without obstructing their transparent look. The lock is available in a matte black finish, adding to the elegance of its surroundings. Our smart door locks are operated with wifi, fingerprint unlocking, code unlocking, key card as well as remotely with the phone app.

600 Series Glass Door Locks



Cut Out Required: Refer To Attached Diagram on website
 Construction Material: Aluminum Body With 304 Grade Stainless Steel Cover Plate
 Rectangular Glass Door Lock

Model No.	Finish
GDL-600.SS	Brushed Stainless
GDL-600.BL	Matte Black
GDL-600.PS	Polished Stainless

For Interior Use Only
 3 Keys Included

With easy installation, these locks are quite versatile. Their design features a modern style to coordinate with a wide range of themes of glass doors. Keys and gaskets included to prevent damage.

Smart Digital Locks



No Cutout Required, Slip-on Lock
 Construction Material: Aluminum Body With 304 Grade Stainless Steel Cover Plate
 For Interior Use Only
 Features: Inbuilt Doorbell, Unlocks With Pass-code, Key Card, Fingerprint or Supported Phone Application.

Model No.	Finish	Use
SGDL-W200	Matte Black	Glass-Wall
SGDL-G100	Matte Black	Glass-Glass

These state-of-the-art digital locks have a classic design which doesn't obstruct the transparent look of the glass doors. We carry the Matte Black finish of the smart locks to accommodate the elegance of the overall design & theme of the area.

700 Series Glass Door Locks



Cut Out Required: Refer To Attached Diagram on website
 Construction Material: Aluminum Body With 304 Grade Stainless Steel Cover Plate
 Rectangular Side + Bottom Glass Door Lock

Model No.	Finish
GDL-700.SS	Brushed Stainless
GDL-700.BL	Matte Black
GDL-700.PS	Polished Stainless

For Interior Use Only
 3 Keys Included

With several beautiful finishes, choose our glass door locks to coordinate with the varied interior themes of the area where the glass doors are installed. These locks provide complete security with a key lock to secure the position.

703 Series Glass Door Locks



Cut Out Required: Refer To Attached Diagram on website
 Construction Material: Aluminum Body With 304 Grade Stainless Steel Cover Plate
 Rectangular Side + Bottom Glass Door Lock with Thumb Lock & Round Pine Cylinder

Model No.	Finish
GDL-703.SS	Brushed Stainless
GDL-703.SA	Satin Anodized
GDL-703.BL	Matte Black
GDL-703.SB	Satin Brass

These locks are the best choice for anyone looking for a combination of maximum security, design, and quality. They do not require any cut-outs on the glass, offering a seamless appearance of the glass door.

800 Series Glass Door Locks



Cut Out Required: Refer To Attached Diagram on website
 Construction Material: Aluminum Body With 304 Grade Stainless Steel Cover Plate
 Glass Door Lock With Movable Handle

Model No.	Finish
GDL-800.SS	Brushed Stainless
GDL-800.BL	Matte Black

For Interior Use Only
 3 Keys Included

These locks provide safe performance & are fit to use for 10-12mm tempered glass. They have a smooth surface, which is suitable for a wide range of glass doors. The movable handle allows for easy one-side opening and closing of the door.

Self-Closing Pool Gate Hinge



POLG-203.SS



Glass-Glass Self-Closing Gate Hinge

Cut Out Required:	Refer To Attached Diagram on Website
Accessories:	Screws, Bolts and Gaskets
Construction Material:	Aluminium Body With 2205 Grade Stainless Steel

Model No.	Finish
POLG-203.SS	Brushed Stainless
POLG-203.BL	Matte Black



Glass-Wall Self-Closing Gate Hinge

Cut Out Required:	Refer To Attached Diagram on Website
Accessories:	Screws, Bolts and Gaskets
Construction Material:	Aluminium Body with 2205 Grade Stainless Steel

Model No.	Finish
POLG-200.SS	Brushed Stainless
POLG-200.BL	Matte Black



Glass Fence Locks

FMF glass fence locks come with an appealing design. They are manufactured of high-quality standards. You get 2 keys for our glass fence locks, gaskets, screws, and a diagram with the instruction for installation and cut-outs. These are fit for 10-12 MM tempered glass and come with a 3-years limited warranty.

The glass fence locks give transparency integrated with safety, giving you peace of mind for the protection of your glass enclosures. The magnetic locks also give a sleek look to the overall area, reducing water access. The locks are perfect for your outdoor fence and swimming pool fence.



90° Right Open Glass-to-Glass Fence Lock

Cut Out Required: Refer To Attached Diagram on website
 Construction Material: Aluminum Body With 316 Grade Stainless Steel Cover.
 90° Glass On Right Hand Side

Magnetic Glass Door Lock
 2 Keys Included
 For Both Interior & Exterior Use

Model No.	Finish
FGDL-90R.SS	Brushed Stainless



Round Post Glass Fence Lock

Cut Out Required: Refer To Attached Diagram on website
 Construction Material: Aluminium body with 316 Grade Stainless Steel Cover.Mounts To FMF Round Railing Posts

Magnetic Glass Door Lock
 2 Keys Included
 For Both Interior & Exterior Use
 3 Holes For Mounting Screws

Model No.	Finish
FGDL-00R.SS	Brushed Stainless



90° Left Open Glass-to-Glass Fence Lock

Cut Out Required: Refer To Attached Diagram on website
 Construction Material: Aluminum Body With 316 Grade Stainless Steel Cover.
 90° Glass On Left Hand Side

Magnetic Glass Door Lock
 2 Keys Included
 For Both Interior & Exterior Use

Model No.	Finish
FGDL-90L.SS	Brushed Stainless



180° Left Open Glass-to-Glass Fence Lock

Cut Out Required: Refer To Attached Diagram on website
 Construction Material: Aluminum Body With 316 Grade Stainless Steel Cover.
 180° Left Side Glass Open Model

Magnetic Glass Door Lock
 2 Keys Included
 For Both Interior & Exterior Use

Model No.	Finish
FGDL-180.SS	Brushed Stainless
FGDL-180.BL	Matte Black



FGDL-00S.SS

Square Post Glass Fence Lock

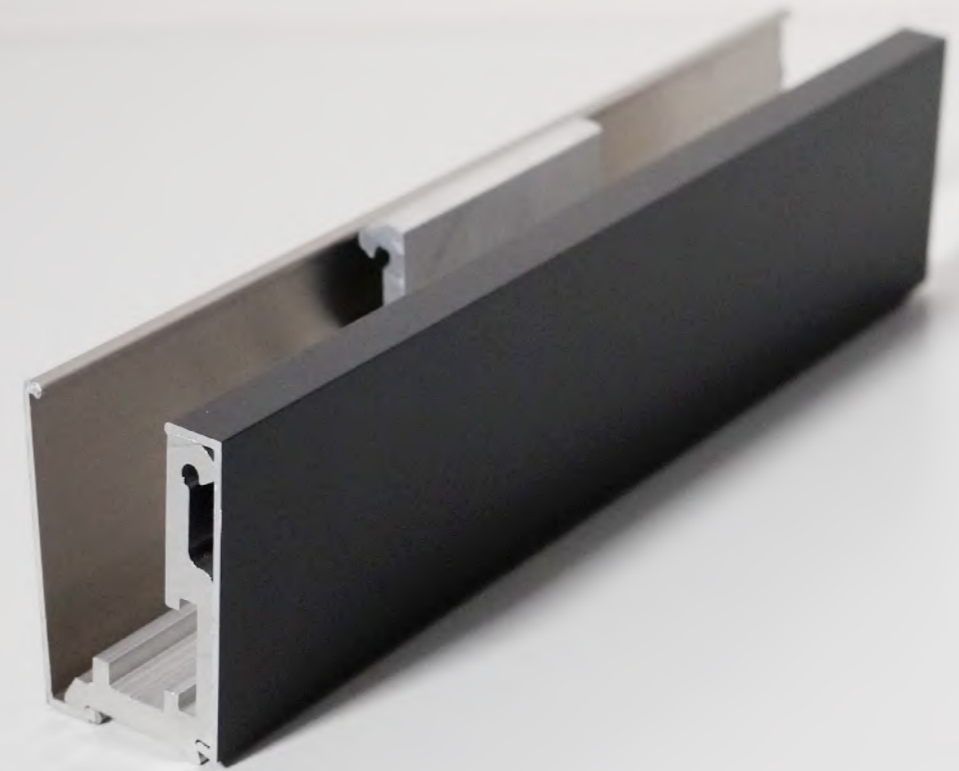
Cut Out Required: Refer To Attached Diagram on website
 Construction Material: Aluminium body with 316 Grade Stainless Steel Cover.
 Mounts To FMF Square Railing Posts

Magnetic Glass Door Lock
 2 Keys Included
 For Both Interior & Exterior Use
 3 Holes For Mounting Screws

Model No.	Finish
FGDL-00S.SS	Brushed Stainless
FGDL-00S.BL	Matte Black

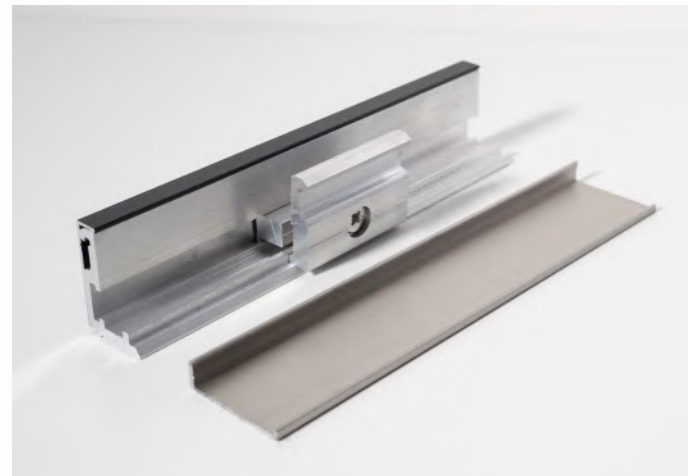


Mechanical U-Channel



MUC-1012.BL

This glass installation kit is designed to simplify the installation process while delivering a sleek, modern finish. Constructed from high-quality aluminum, the kit includes an aluminum channel extrusion, cladding cover, 10 setting blocks, and 2 end caps. It also comes with keys and gaskets to ensure secure installation and prevent glass damage. The contemporary design makes it a versatile solution that complements a wide range of glass door styles, suitable for both residential and commercial settings.



Mechanical U-Channel

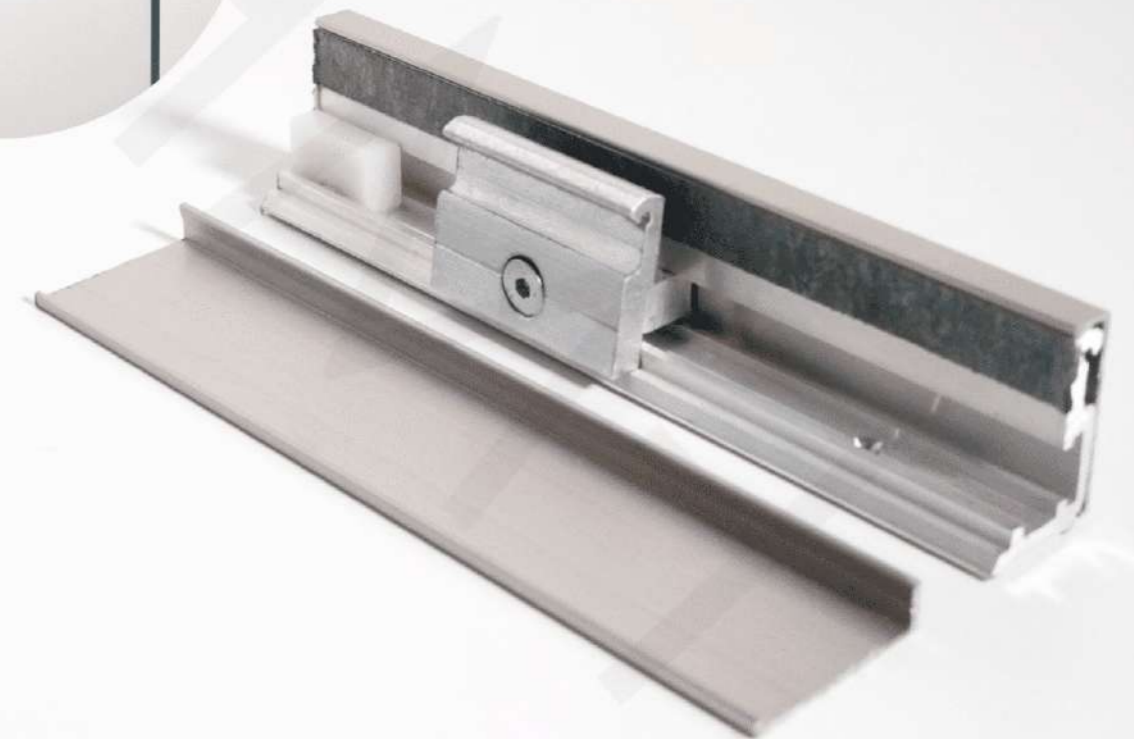
Mechanical Channel for Commercial Use
Pre-Drilled Holes Every 12" For Quick Install
Does Not Require Holes In Glass
Height: 1.5" ; Length: 120"

Model No.	Finish	Size
MUC-1012.BL	Matte Black	10/12mm
MUC-1012.SS	Brushed Stainless	10/12mm

Makes Glass Installation Easier
Construction Material: Aluminum
Kit Includes: Aluminium Channel Extrusion,
Cladding Cover, 10 Setting Blocks, 2 End Caps

With easy installation, these locks are quite versatile. Their design features a modern style to coordinate with a wide range of themes of glass doors. Keys and gaskets included to prevent damage. With easy installation, these locks are quite versatile. Their design features a modern style to coordinate with a wide range of themes of glass doors. Keys and gaskets included to prevent damage.

Cladding For Mechanical U-Channel



Our Additional Set of Cladding for Mechanical U-Channel is designed to enhance the look and durability of glass panels. Perfect for both commercial and residential projects, this cladding gives a sleek, finished appearance while protecting the glass edges.

Model No.	Finish	Size
MUC-1014.SS	Brushed Stainless	10/12mm
MUC-1014.BL	Matte Black	10/12mm

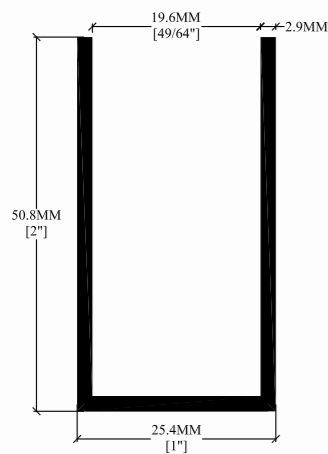
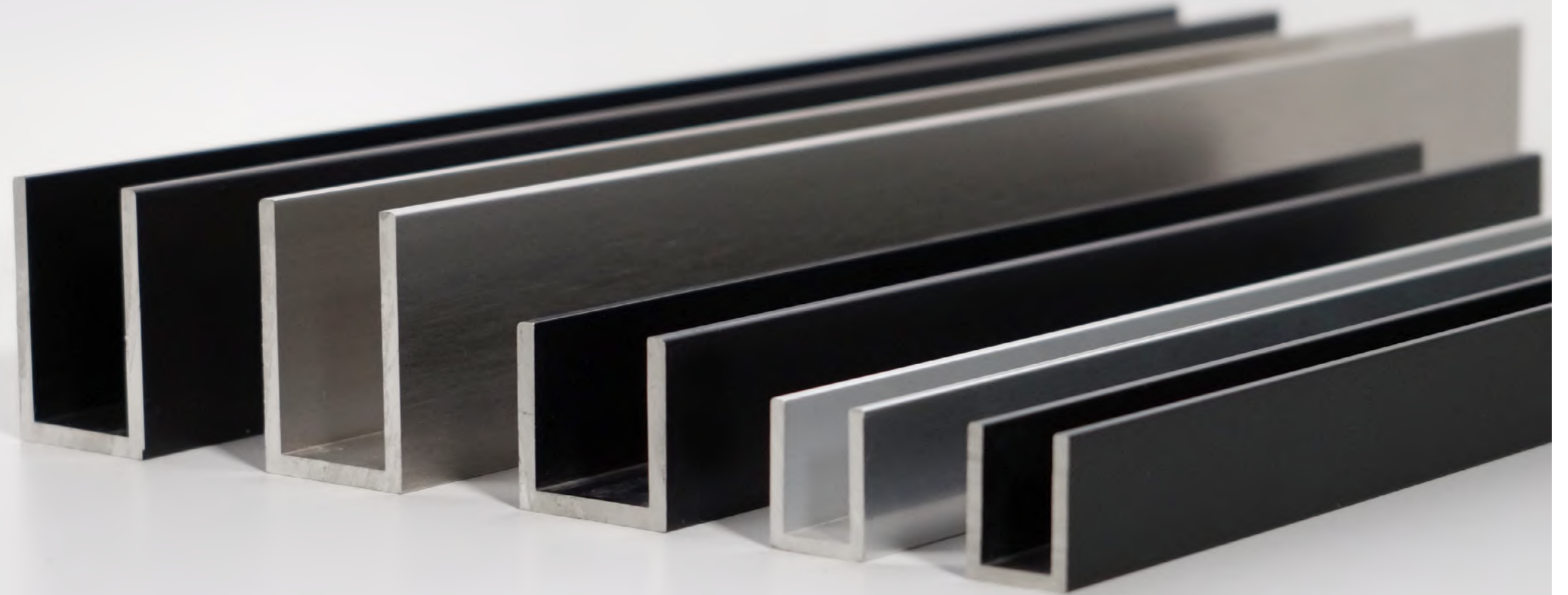
1.5" Mechanical U-Channel End Cap



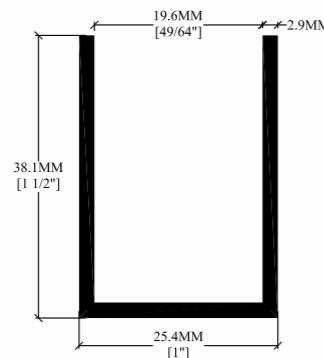
Upgrade your commercial glass installations with our Mechanical U-Channel, designed to make your projects easier and more efficient. Crafted from durable aluminum, this channel is built to last and can accommodate 10-12mm tempered glass, ensuring both strength and aesthetics.

Model No.	Finish	Size
MUC-1013.SS	Brushed Stainless	10/12mm
MUC-1013.BL	Matte Black	10/12mm

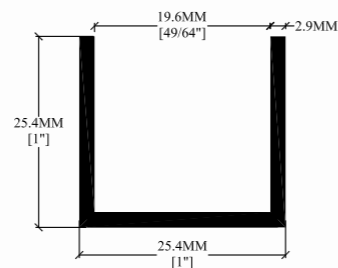
Commercial U-Channels



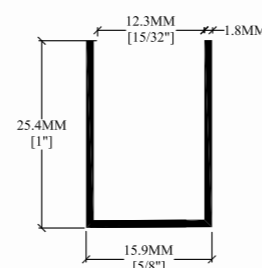
CUC2



CUC112



CUC1



CUC341

Commercial Aluminum U-Channel

Glazing Gasket Sold Separately
 Construction Material: Aluminum
 Applicable For: 10-12mm Tempered Glass
 Size: 12' Length Available

FMF U-Channels offer versatility and are used as a frame to secure fixed glass panels in shower areas or other glass partition areas. They are sharp in design and are light-weight, yet strong. The channels are durable and resistant to corrosion. These come with a 3-years limited warranty.

Model No.	Finish	Size
CUC341.BN	Brushed Nickel	1" x 0.5"
CUC341.BL	Matte Black	1" x 0.5"
CUC1.BN	Brushed Nickel	1" x 1"
CUC1.BL	Matte Black	1" x 1"
CUC1.SA	Satin Anodized	1" x 1"

Model No.	Finish	Size
CUC112.BN	Brushed Nickel	1" x 1.5"
CUC112.BL	Matte Black	1" x 1.5"
CUC112.SA	Satin Anodized	1" x 1.5"
CUC2.BN	Brushed Nickel	1" x 2"
CUC2.BL	Matte Black	1" x 2"
CUC2.SA	Satin Anodized	1" x 2"

Glass Sliding Door Systems



Our Glass Sliding Door Systems come with varied types of products that aid you to accomplish your commercial architectural project. From door bars to mount brackets, we've got you covered. Whether you are looking to start a new commercial project or renovate an existing commercial space, our glass sliding door systems will add value by reflecting style, modernism, and simplicity. These are fit for 10-12 MM tempered glass and come with a 1-year limited warranty.

- >Create a spectacular glass wall area with our sliding door systems! Enjoy a feeling of openness with our sliding door systems and experience an unobstructed view from your office or other commercial spaces. These sliding door systems are perfect for the compact area.



Hydra Series Guide Rail

Applicable for: FMF Commercial HSK Series Sliding Door Kits
 Construction Material: Aluminum

Note: 6pcs of Glass Connectors (HSK-01) are required for 120" Guide Rails (for Glass mount applications)

Model No.	Finish
HSK-0310.BN	Brushed Stainless
HSK-0310.BL	Matte Black



HSK Series Sliding Door System



Hydra Series Sliding Door System

Included With Kit: 2 Wheel Rollers, 2 Door Stopper Softeners, 2 Spring Holders, 2 Track End Caps, 2 Floor Guiders, 2 End Caps, 1 Round Ring Pull, 10 Foot Rectangular Track

Construction Material: 304 Grade Stainless Steel
 Maximum Door Weight: 110 KG
 Function: Slides Door, Wall/ Ceiling Mounted

Model No.	Finish
HSK-02W.SS	Brushed Stainless
HSK-02W.BL	Matte Black

This versatile system redefines the way you experience your living areas, offering effortless and smooth door movement while adding a touch of sophistication to any room. Whether you want to optimize space utilization or create an eye-catching room divider, this sliding door system is the perfect choice.



Hydra Series Glass Connector

Applicable for: FMF Commercial HSK Series Sliding Door Kits
 Construction Material: 304 Grade Stainless Steel

Note: 6pcs of Glass Connectors (HSK-01) are required for 120" Guide Rails (for Glass mount applications)

Model No.	Finish
HSK-01.SS	Brushed Stainless
HSK-01.BL	Matte Black

Introducing the HSK Series Glass Connector, a sleek and indispensable component within our collection of glass hardware at FMF Glass Hardware. Crafted to perfection, this connector is tailored specifically for the HSK Series Commercial Sliding Door Kit, providing a seamless and secure connection for your glass doors.



Office Sliding Door System

Included With Kit: 2 Anti Lift Rollers, 2 Door Stoppers, 4 Mounting Brackets, 1 Floor Guider, 2 End Caps, 98" Round Bar
Construction Material: 304 Grade Stainless Steel

Barn Door Style
Function: Door Slides 180° Left & Right
Maximum Door Weight: 100 kg

Model No.	Finish	Use
LSK-02W.SS	Brushed Stainless	Wall Mount
LSK-02W.BL	Matte Black	Wall Mount
LSK-02W.PS	Polished Stainless	Wall Mount
LSK-02G.SS	Brushed Stainless	Glass Mount
LSK-02G.BL	Matte Black	Glass Mount
LSK-02G.PS	Polished Stainless	Glass Mount



LSK-Series Brackets

Compatible With LSK Series Commercial Sliding Kits
Construction Material: 304 Grade Stainless Steel
Function: To Secure Glass or Wall Mounted Panels

Model No.	Finish	Use
LSK-05.SS	Brushed Stainless	Wall Mount
LSK-05.BL	Matte Black	Wall Mount
LSK-05.PS	Polished Stainless	Wall Mount
LSK-01.SS	Brushed Stainless	Glass Mount
LSK-01.BL	Matte Black	Glass Mount
LSK-01.PS	Polished Stainless	Glass Mount

With perfect balance and modern sophistication, LSK-Series Glass or Wall Mount Brackets for sliding doors define a secure connection of glass doors.



Heavy Duty Office Sliding Door System

Included With Kit: 2 Anti Lift Double Rollers, 2 Door Stoppers, 4 Mounting Brackets, 1 Floor Guider, 2 End Caps, 98" Round Bar
Construction Material: 304 Grade Stainless Steel

Barn Door Style
Function: Door Slides 180° Left & Right
Maximum Door Weight: 120 kg

Model No.	Finish	Use
LSK-04W.SS	Brushed Stainless	Wall Mount
LSK-04W.BL	Matte Black	Wall Mount
LSK-04G.SS	Brushed Stainless	Glass Mount
LSK-04G.BL	Matte Black	Glass Mount

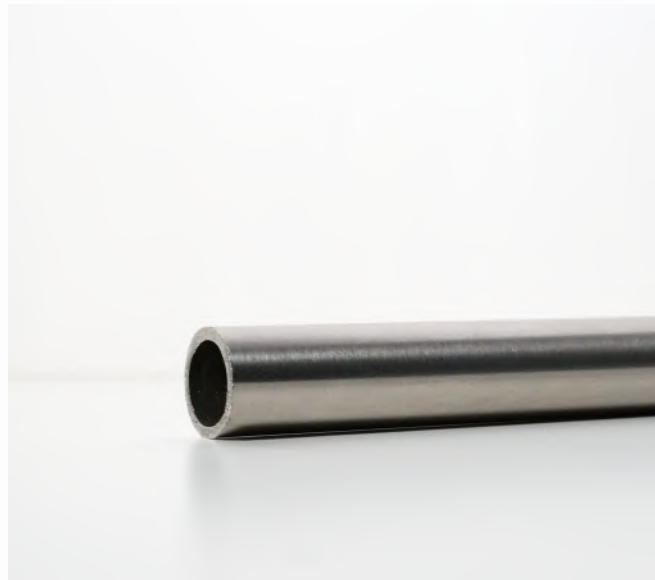


Rod- Wall Connector

Compatible With LSK Series Commercial Sliding Kits
Construction Material: 316 Grade Stainless Steel
Function: Connects From End Of The Bar To Wall

Model No.	Finish
LSK-06.SS	Brushed Stainless
LSK-06.BL	Matte Black
LSK-06.PS	Polished Stainless

This connector is specifically designed to ensure smooth operation and stability for sliding doors, enhancing the functionality and aesthetics of your office space. The connector is designed to provide a sleek and unobtrusive appearance, complementing the overall design of your office interiors.

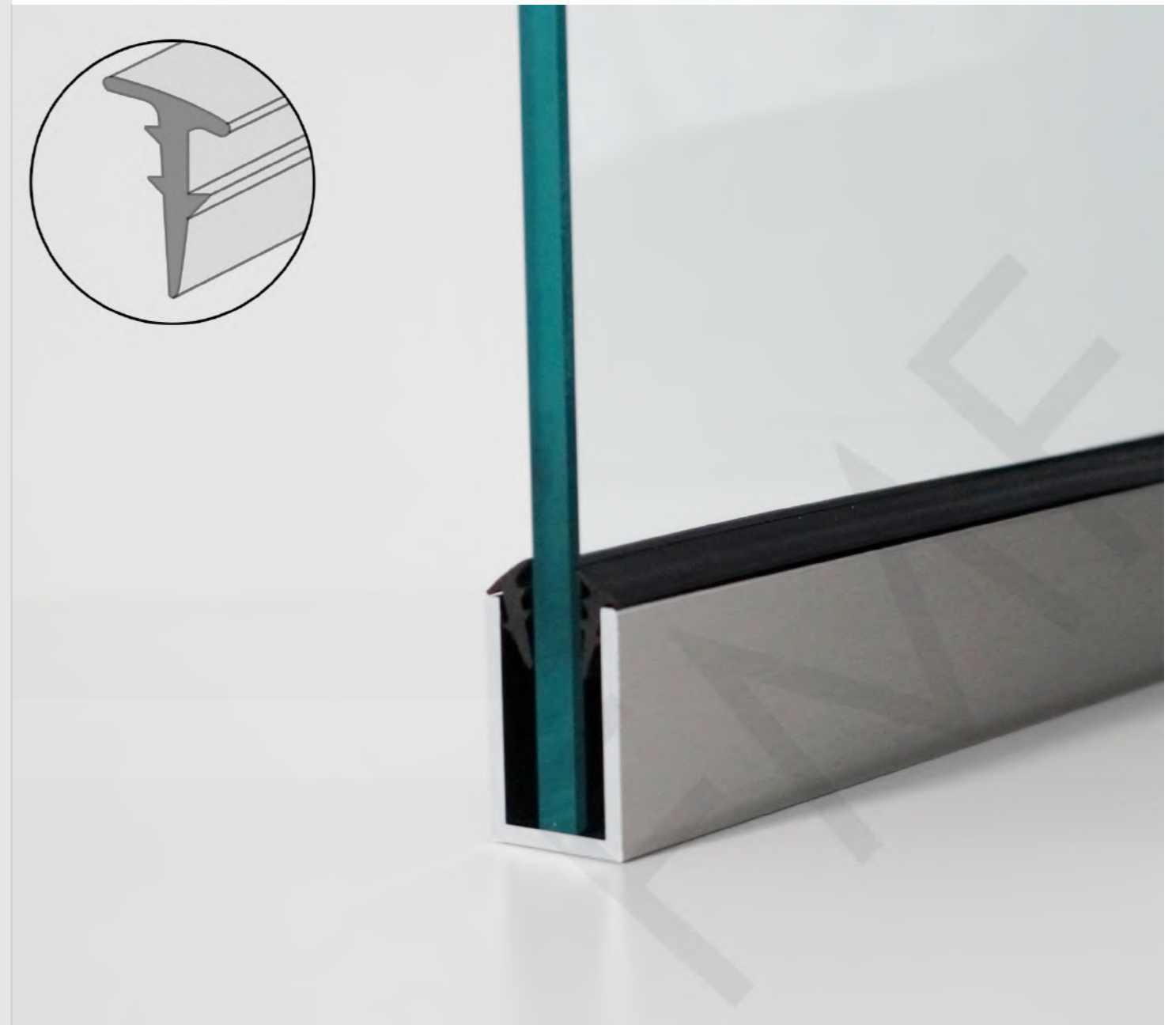


LSK Series Sliding Door Bar

Construction Material: 304 Grade Stainless Steel
 Applicable For: FMF Commercial Sliding Door Kits
 25mm Diameter

Model No.	Finish	Length
LSK-0308.SS	Brushed Stainless	8 ft
LSK-0308.BL	Matte Black	8 ft
LSK-0308.PS	Polished Stainless	8 ft
LSK-0310.SS	Brushed Stainless	10 ft
LSK-0310.BL	Matte Black	10 ft
LSK-0310.PS	Polished Stainless	10 ft

FMF L-Series Sliding Door Bar is an excellent choice for the installation of sliding doors at your office. They can be installed in interior/exterior spaces with confidence as they provide adequate support to sliding doors.



Glazing U-Channel Gasket

Commercial U-Channel Gasket
 Construction Material: Black Rubber

Model No.	Size	Length
GAS-10.25	10 mm	25ft
GAS-10.50	10 mm	50ft
GAS-10.100	10 mm	100ft
GAS-10.500	10 mm	500ft
GAS-12.25	12 mm	25ft
GAS-12.50	12 mm	50ft
GAS-12.100	12 mm	100ft
GAS-12.500	12 mm	500ft

They are essential seals for openings of glass installations and protect them in a safe and effective way. They are designed practically with black rubber to provide strength and durability for a long time. The construction of our gaskets provides an elegant appearance and attractive design to the glass doors.



Sliding Door System Installation Tool

Compatible with: LSK Series Sliding door kits
 Construction Material: 304 Grade Stainless Steel
 Function: To Assist With The Installation Of the LSK Series Sliding Kits
 Adjustable to size

Model No.
 TOOL-LS.02

Whether it is the renovation of commercial space or building a new project, our Sliding Door System Installation Tools provide maximum support and make your installation process seamless. You can adjust the size as per installation requirements.



Oval Decorative Door Stopper

Construction Material: 304 Grade Stainless Steel
 Floor Mounted
 Size: 43mm

Model No.	Finish
DSTP-05.SS	Brushed Stainless
DSTP-05.BL	Matte Black



Pin Decorative Door Stopper

Construction Material: 304 Grade Stainless Steel
 Side Mounted
 Size: 52 x 90mm

Model No.	Finish
DSTP-04.SS	Brushed Stainless
DSTP-04.BL	Matte Black



Circular Decorative Door Stopper

Construction Material: 304 Grade Stainless Steel
 Floor Mounted
 Size: 25x30mm

Model No.	Finish
DSTP-03.SS	Brushed Stainless
DSTP-03.BL	Matte Black

Door Stopper

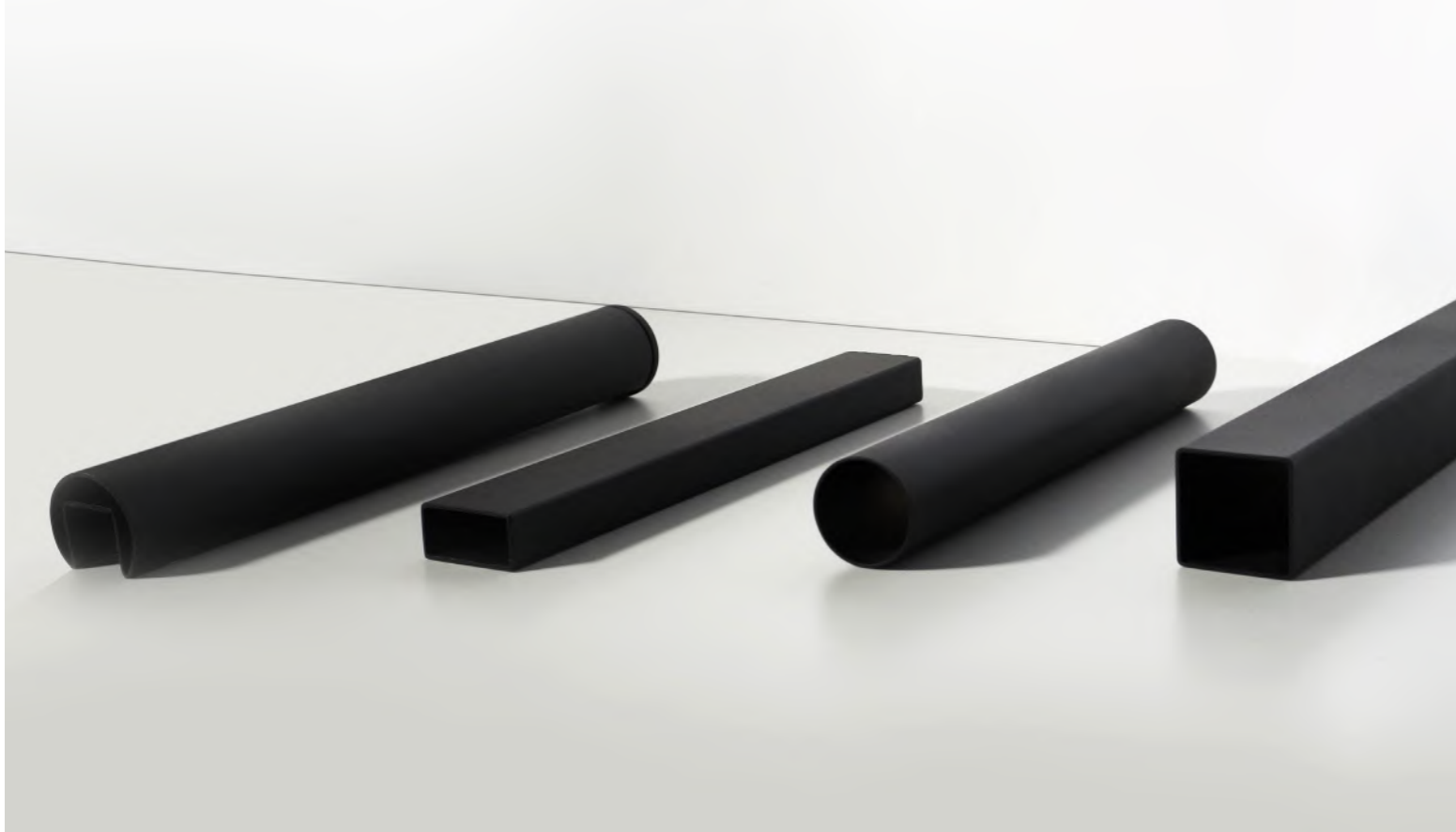
Compatible With: FMF Patch Fitting Products
 Construction Material: 316 Grade Stainless Steel
 2 Holes



Model No.	Finish	Size
DSTP-02.SS	Brushed Stainless	2"
DSTP-02.BL	Matte Black	2"
DSTP-06.SS	Brushed Stainless	6"
DSTP-06.BL	Matte Black	6"

Try our door stoppers for your commercial space such as an office. Used to stop, hold the door properly, they are ideal for your renovation project and promise long life and corrosion resistance features.

Railing Hardware



Glass railing installations are gaining popularity among architects and contractors as they look elegant and visually appealing. They also give more visibility to the surrounding space, reflecting a minimalistic look. The versatility of glass railings matches perfectly with any finish and design. These are fit for 10-12mm tempered glass and come with upto 3-year limited warranty.

Choose from our wide range of carefully designed railing Hardware systems, handrail brackets, bolts and screws, spigots, standoffs and more! When it comes to railing hardware, FMF Glass Hardware is the trusted supplier. Owing to our high-quality material and professional input, we ensure the long life of our railing hardware.

Railing Posts



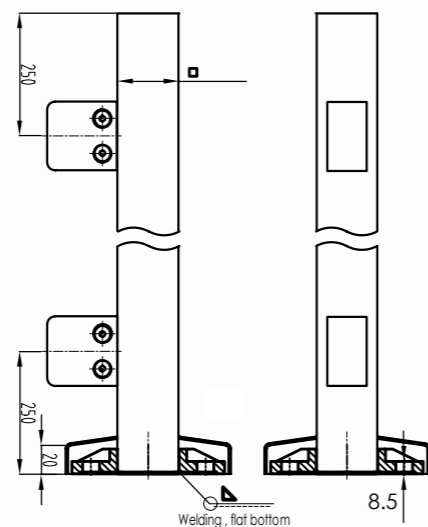
At FMF, we strive to help you with your residential and commercial projects with our premium quality products at competitive pricing. With our railing posts, we provide durability and strength to your commercial property, making it a smart investment for your business. These are fit for 10-12mm tempered glass and come with a 3-years limited warranty.

Our railing posts are available in varying styles. Constructed of stainless steel, they can be used in an interior or exterior setting and are corrosion-resistant. Together, let's transform your space into a modern design with our railing posts.

Square Glass Railing Post



Railing Clamps Included
 Used In Exterior Setting Or Interior Setting
 Applicable For: 10-12MM Tempered Glass
 Construction Material: 316 Grade Stainless Steel
 Cut Out Required: Optional (If Centre Pin Is Required)
 Accessories: Cap Cover For Post, Rubber Gaskets For Railing Clamps

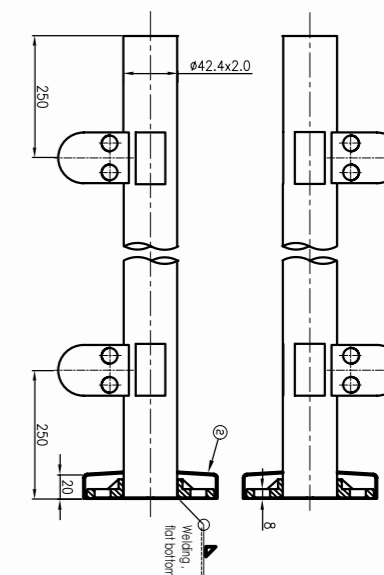


Size	End Posts Model No.	Inline Posts Model No.	Corner Posts Model No.	Finish
32"	SPOST-32E.SS	SPOST-32I.SS	SPOST-32C.SS	Brushed Stainless
32"	SPOST-32E.BL	SPOST-32I.BL	SPOST-32C.BL	Matte Black
36"	SPOST-36E.SS	SPOST-36I.SS	SPOST-36C.SS	Brushed Stainless
36"	SPOST-36E.BL	SPOST-36I.BL	SPOST-36C.BL	Matte Black
38"	SPOST-38E.SS	SPOST-38I.SS	SPOST-38C.SS	Brushed Stainless
38"	SPOST-38E.BL	SPOST-38I.BL	SPOST-38C.BL	Matte Black
42"	SPOST-42E.SS	SPOST-42I.SS	SPOST-42C.SS	Brushed Stainless
42"	SPOST-42E.BL	SPOST-42I.BL	SPOST-42C.BL	Matte Black
42"	SPOST-42R; SPOST-42R.BL	No Pre-Drill Holes/No Clamps		Brushed Stainless Matte Black

Round Glass Railing Post



Railing Clamps Included
 Used In Exterior Setting Or Interior Setting
 Applicable For: 10-12MM Tempered Glass
 Construction Material: 316 Grade Stainless Steel
 Cut Out Required: Optional (If Centre Pin Is Required)
 Accessories: Cap Cover For Post, Rubber Gaskets For Railing Clamps



Size	End Posts Model No.	Inline Posts Model No.	Corner Posts Model No.	Finish
32"	RPOST-32E.SS	RPOST-32I.SS	RPOST-32C.SS	Brushed Stainless
32"	RPOST-32E.BL	RPOST-32I.BL	RPOST-32C.BL	Matte Black
36"	RPOST-36E.SS	RPOST-36I.SS	RPOST-36C.SS	Brushed Stainless
36"	RPOST-36E.BL	RPOST-36I.BL	RPOST-36C.BL	Matte Black
38"	RPOST-38E.SS	RPOST-38I.SS	RPOST-38C.SS	Brushed Stainless
38"	RPOST-38E.BL	RPOST-38I.BL	RPOST-38C.BL	Matte Black
42"	RPOST-42E.SS	RPOST-42I.SS	RPOST-42C.SS	Brushed Stainless
42"	RPOST-42E.BL	RPOST-42I.BL	RPOST-42C.BL	Matte Black

Glass Railing Standoffs

Glass installations in residential and commercial spaces are gaining popularity due to their aesthetic appeal. Suitable for securing your glass panels at home, restaurant, office or showroom, our standoffs give a cleaner look. These standoffs are useful to connect glass panels to the wall, functioning as fasteners to position parts. These are fit for 10-12mm tempered glass and come with a 3-years limited warranty.

Manufactured of Stainless Steel, FMF standoffs are used for a majority of applications. Give a terrific visual appeal to your glass enclosures at your commercial or residential projects with our standoffs. Our standoffs help increase the visibility and attractiveness of your glass enclosure by adding a wow factor.





38mm Diameter Solid Standoffs

Cap & Body Included
 Suitable For Interior & Exterior Use
 Engineered To Comply With The National Building Code Of Canada
 Anchor Bolt Sold Separately

Construction Material:
 316 Grade Stainless Steel for Brushed Stainless Finish Models
 304 Grade Stainless Steel for Matte Black Finish Model
 Fabrication: 19MM Ø Holes Required
 Thread: Imperial Threads
 Compatible With: FMF Anchor Bolts
 Function: To Secure Glass Railing Panels Into Place

Model No.	Finish	Length (L)
38ST-S01.SS	Brushed Stainless	0.5"
38ST-S01.BL	Matte Black	0.5"
38ST-S02.SS	Brushed Stainless	1"
38ST-S02.BL	Matte Black	1"
38ST-S03.SS	Brushed Stainless	1.25"
38ST-S03.BL	Matte Black	1.25"
38ST-S04.SS	Brushed Stainless	1.5"
38ST-S04.BL	Matte Black	1.5"
38ST-S05.SS	Brushed Stainless	2"
38ST-S05.BL	Matte Black	2"

Solid Standoffs at FMF are appropriate for safeguarding your glass railings in residential and commercial spaces. Our standoffs efficiently connect the glass panels to the wall, functioning as fasteners to position parts. As they are constructed of 316-Grade Stainless Steel, they are strong in both design and appearance.

Our standoffs are compliant with Canadian Building Code Standards as we believe in providing the best to our customers. We carry 38mm standoffs in two finishes, Stainless Steel and Matte Black and sizes from 1/2" to 2". We provide standoffs for 38mm and 50mm diameters too.



50mm Diameter Solid Standoffs

Cap & Body Included
 Suitable For Interior & Exterior Use
 Engineered To Comply With The National Building Code Of Canada
 Anchor Bolt Sold Separately

Construction Material:
 316 Grade Stainless Steel for Brushed Stainless Finish Models
 304 Grade Stainless Steel for Matte Black Finish Model
 Fabrication: 19MM Ø Holes Required
 Thread: Imperial Threads
 Compatible With: FMF Anchor Bolts
 Function: To Secure Glass Railing Panels Into Place

As they are corrosion resistant and sturdy, they are suitable for indoor and outdoor use. Our premium quality standoffs offer great dependability for protecting glass installations. The standoffs provide a clean and professional look with our standard finishes.

Model No.	Finish	Length (L)	Model No.	Finish	Length (L)
50ST-S01.SS	Brushed Stainless	0.25"	50ST-S06.SS	Brushed Stainless	1.75"
50ST-S01.BL	Matte Black	0.25"	50ST-S06.BL	Matte Black	1.75"
50ST-S02.SS	Brushed Stainless	0.5"	50ST-S07.SS	Brushed Stainless	2.0"
50ST-S02.BL	Matte Black	0.5"	50ST-S07.BL	Matte Black	2.0"
50ST-S03.SS	Brushed Stainless	1"	50ST-S07.SB	Satin Brass	2.0"
50ST-S03.BL	Matte Black	1"	50ST-S08.SS	Brushed Stainless	2.5"
50ST-S04.SS	Brushed Stainless	1.25"	50ST-S08.BL	Matte Black	2.5"
50ST-S04.BL	Matte Black	1.25"	50ST-S09.SS	Brushed Stainless	3"
50ST-S05.SS	Brushed Stainless	1.5"	50ST-S09.BL	Matte Black	3"
50ST-S05.BL	Matte Black	1.5"	50ST-S10.SS	Brushed Stainless	3.5"
50ST-S05.SB	Satin Brass	1.5"	50ST-S10.BL	Matte Black	3.5"



Standoff Installation Tool

Standoff Installation Tool
Size Adjustable

Applicable For: 35-50mm Standoff Diameter
Function: Used To Tighten Standoff Caps

Model No.

TOOL-ST.01

With adjustable size, these tools make the process of installation of standoffs much easier and more convenient. They are used for tightening the standoff caps, allowing the standoffs to support the glass installations for a long time.

Cap Handrail & Fittings

At FMF, our selection of cap handrails and fittings is manufactured with elegance to match your styling needs. Choose from several finishes and designs for an exact match to your expectations. Every cap handrail is examined to exceed your safety requirements. You can install our cap handrails on a glass stair or interior of your home or commercial space quickly and easily. They also eliminate the need for any brackets as support; they just sit perfectly on the glass. These are fit for 10-12mm tempered glass and come with a 3-years limited warranty.

Handrails are essential for any architectural project, providing décor, safety, and support. Our cap handrails can complement just about any style. Manufactured in stainless steel, our cap handrails are long-lasting, requiring less maintenance, and safe compared to other cap handrails available in the market. When you are renovating a commercial or residential space, upgrade its appeal with FMF cap handrails and fittings.



Standoff Spare Gaskets

New Product



Applicable For: FMF 38ST/ 50ST Standoffs
Construction Material: Rubber
Thickness: 2mm
10 Pieces per package
Black Gasket Goes In Between Body and Cap

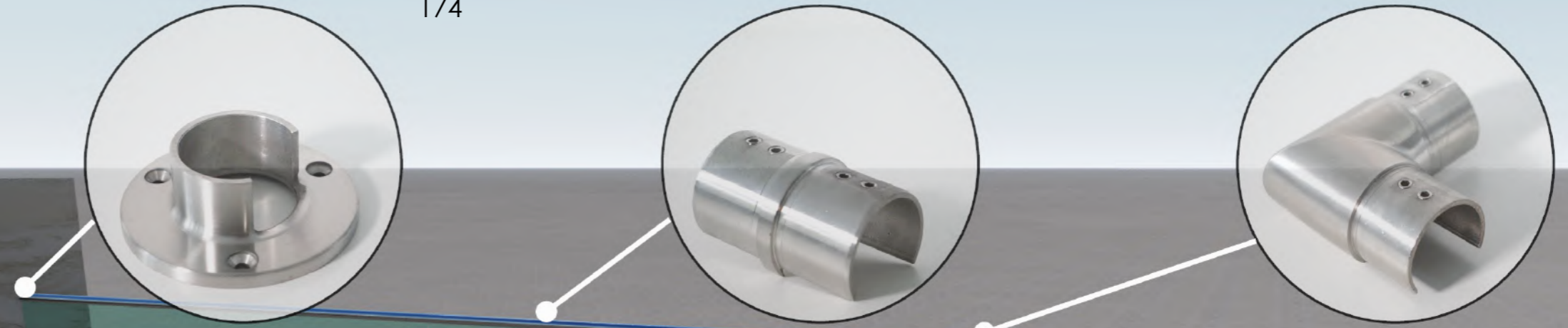
Model No.

Size

38ST-GAS.BL	38mm
50ST-GAS.BL	50mm

Standoff spare gaskets are essential components for various applications where a standoff is used. These gaskets provide a reliable seal and act as a cushion between the standoff and the surface it is mounted on. They are designed to withstand pressure, temperature variations, and environmental factors.

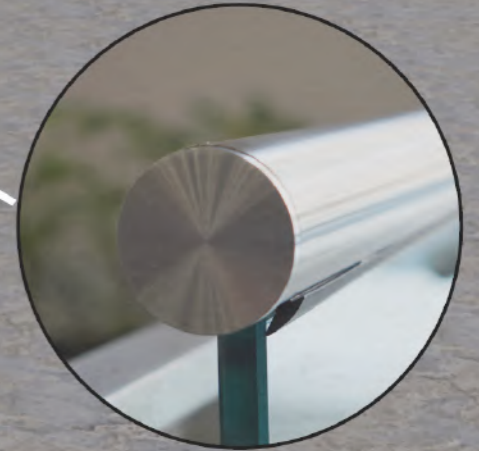
Round Cap Handrail & Fittings



Flange Disc

Straight Connector

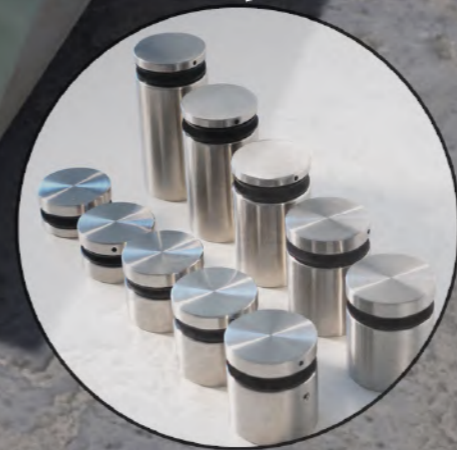
90° Horizontal Elbow



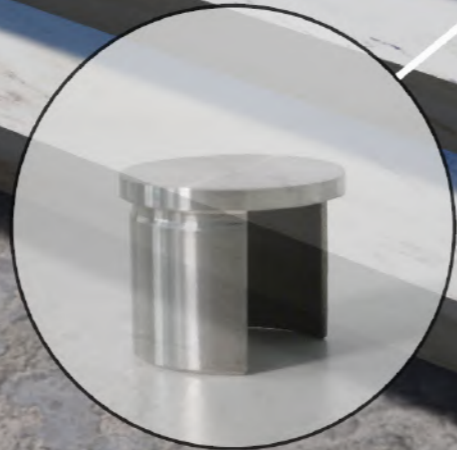
42.4mm Cap Handrail



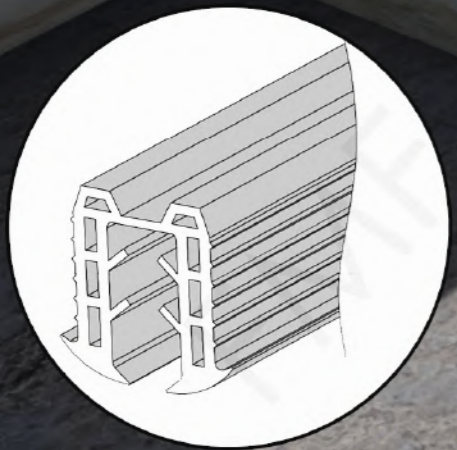
Adjustable Downward Elbow



50mm Ø Solid Standoffs



End Cap



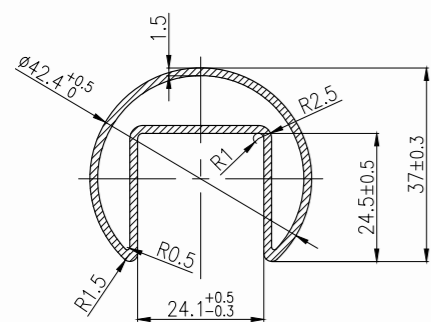
Cap Handrail Gasket



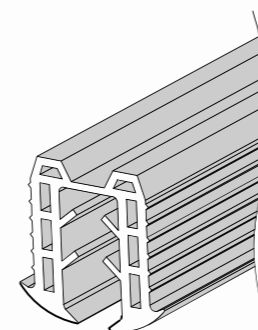
Round Cap-Handrail

Can Be Used In Exterior Setting Or Interior Setting
 Construction Material: 316 Grade Stainless Steel
 Size: 16.4' Feet Length Available
 Cut To Size Available
 Diameter: 42.4mm

Model No.	Finish
RAILC424-16.SS	Brushed Stainless
RAILC424-16.BL	Matte Black



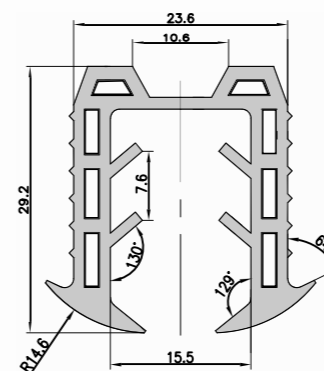
Our 42.4mm Cap-Handrails in round shape are perfect to install in interior and exterior spaces to reflect a stylish appearance. They provide easy grip while leaning, or climbing up and down the stairs. If you are looking for minimalistic, yet impressive designs for your railing systems, our round cap handrails are your solution!



Cap-Rail Gasket

Applicable for: 10-12mm Glass
 Construction Material: Black Rubber
 Compatible With: All FMF Cap Handrail Products
 Length: 19 feet

Model No.	Size
GAS-4040.10	10mm
GAS-4040.12	12mm



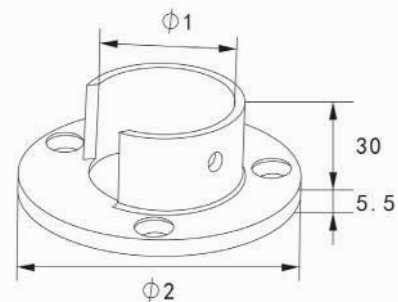
Our gaskets are easy to install and are designed to seal the connection between a handrail and the glass panel. All it takes is to insert the rubber gaskets inside the cap handrails. The gaskets also provide resistance to water and save cap rails from corrosion. They are ideal for the installation of handrails at staircases, guardrails, balconies, and roof terraces.



Flange Disc

Can Be Used In Exterior Setting Or Interior Setting
 Construction Material: 316 Grade Stainless Steel
 Compatible With: All FMF 42.4 MM Round Cap Handrail Products
 3 Holes For Wall Mounting Screws
 Secures Handrail To Wall/ Floor

Model No.	Finish
DIS-C424.SS	Brushed Stainless
DIS-C424.BL	Matte Black



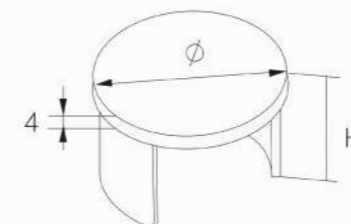
Get a finished look with our flange discs as they are easy to install with minimal maintenance and care required. Their construction in Stainless Steel enhances durability and corrosion resistance. They are ideal for interior/ exterior spaces in residential and commercial areas. They promote the all-glass look with their neat and smooth styles.



End Cap

Can Be Used In Exterior Setting Or Interior Setting
 Construction Material: 316 Grade Stainless Steel
 Compatible With: All FMF 42.4 MM Round Cap Handrail Products

Model No.	Finish
CAP-C4240.SS	Brushed Stainless
CAP-C4240.BL	Matte Black



Complete your railing installation project with FMF End Caps for 42.4 MM Cap Handrails and get a clean, elegant look. These end caps are perfect components where durable, low maintenance, and strong handrails are desired to install. Their construction in Stainless Steel allows the installation of end caps in interior and exterior spaces of residential or commercial areas.

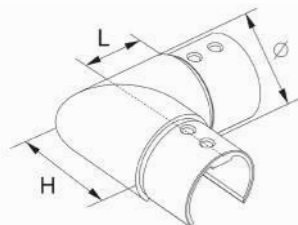


90° Horizontal Elbow

Connects Handrails At A 90° Angle
Can Be Used In Exterior/Interior Setting
Construction Material: 316 Grade Stainless Steel
Compatible With: All FMF 42.4 MM Round Cap Handrail Products

If you are looking for a reliable product that keeps your railing installations safe and long-lasting, choose FMF Glass Hardware products. We carry an extensive collection of hardware products that are designed to meet all requirements of architectural projects.

Model No.	Finish
90ELB-C424H.SS	Brushed Stainless
90ELB-C424H.BL	Matte Black

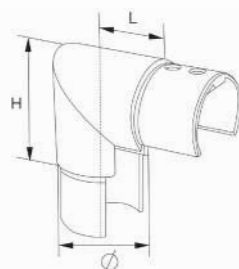


90° Vertical Elbow

Connects Handrails At A 90° Angle
Can Be Used In Exterior/Interior Setting
Construction Material: 316 Grade Stainless Steel
Compatible With: All FMF 42.4 MM Round Cap Handrail Products

The connector is perfect for implementing handrail installations at commercial/ residential properties. The connector is proven to withstand changing environment by offering durability & resistance to corrosion. This makes it suitable to use in interior and exterior places where handrails are installed at staircases, balconies, porches, etc.

Model No.	Finish
90ELB-C424V.SS	Brushed Stainless
90ELB-C424V.BL	Matte Black

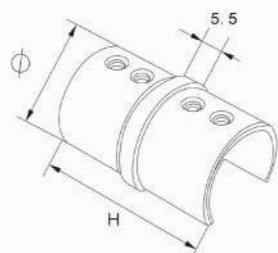


Straight Handrail Connector

Connects Round Cap Handrails Together
Can Be Used In Exterior/ Interior Setting
Construction Material: 316 Grade Stainless Steel
Compatible With: All FMF 42.4 MM Round Cap Handrail Products

Complete your railing installation project with FMF End Caps for 42.4 MM Cap Handrails and get a clean, elegant look. These end caps are perfect components where durable, low maintenance, and strong handrails are desired to install.

Model No.	Finish
SCC-C424.SS	Brushed Stainless
SCC-C424.BL	Matte Black

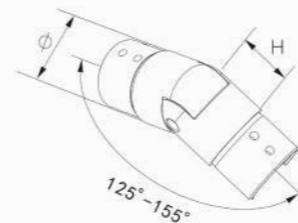


Adjustable Downward Elbow

Connects Round Cap Handrails Together
Can Be Used In Exterior Setting Or Interior Setting
Construction Material: 316 Grade Stainless Steel
Compatible With: All FMF 42.4 MM Round Cap Handrail Products

The connector is a perfect choice when it comes to transitioning the handrails from stairs on the top to a downward angle. The connector is perfect for adjusting to different elevations, such as from straight handrail to stairs downwards.

Model No.	Finish
135ELB-C424D.SS	Brushed Stainless
135ELB-C424D.BL	Matte Black

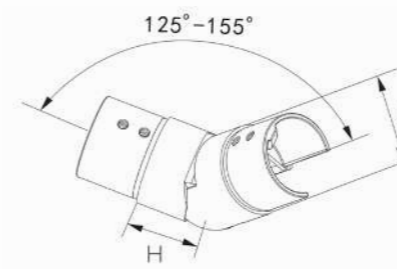


Adjustable Upward Elbow

Connects Round Cap Handrails Together
Can Be Used In Exterior/Interior Setting
Construction Material: 316 Grade Stainless Steel
Compatible With: All FMF 42.4 MM Round Cap Handrail Products

The connector can adjust to different elevations, such as from stairs to straight handrails upwards. Adjustable Upward Elbow provides durability and strength to the handrails while connecting them for a long time. Best to transition the handrails from stairs to an upward angle.

Model No.	Finish
135ELB-C424U.SS	Brushed Stainless
135ELB-C424U.BL	Matte Black

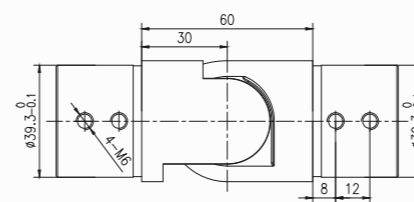


Adjustable Horizontal Elbow

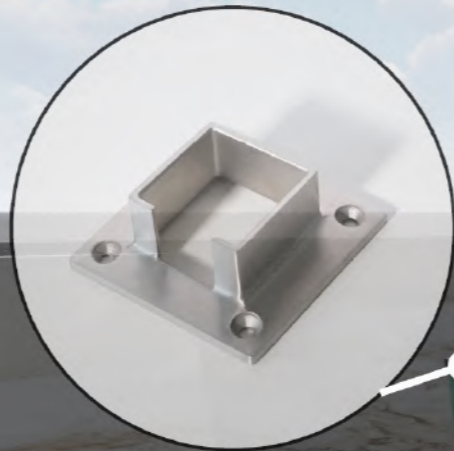
Connects Round Cap Handrails Together
Can Be Used In Exterior/Interior Setting
Construction Material: 316 Grade Stainless Steel
Compatible With: All FMF 42.4 MM Round Cap Handrail Products

The horizontal elbow connector is easy to install & use, providing maximum functionality from the installation. The flexibility works well with round cap handrails for 42.4mm size. With unparalleled performance & durability, you will not regret your decision to install it.

Model No.	Finish
135ELB-C424H.SS	Brushed Stainless
135ELB-C424H.BL	Matte Black



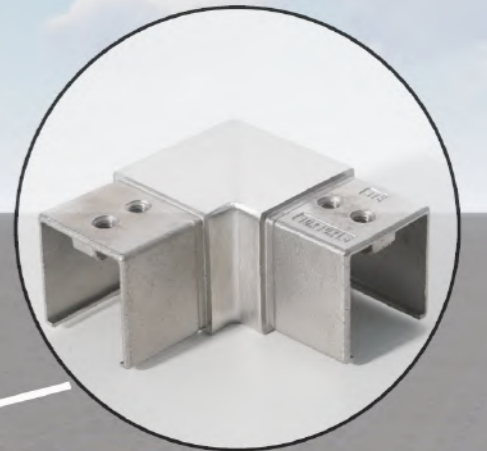
Square Cap Handrail & Fittings



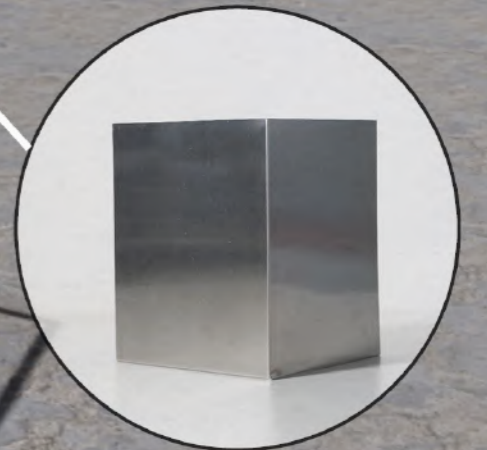
Flange Disc



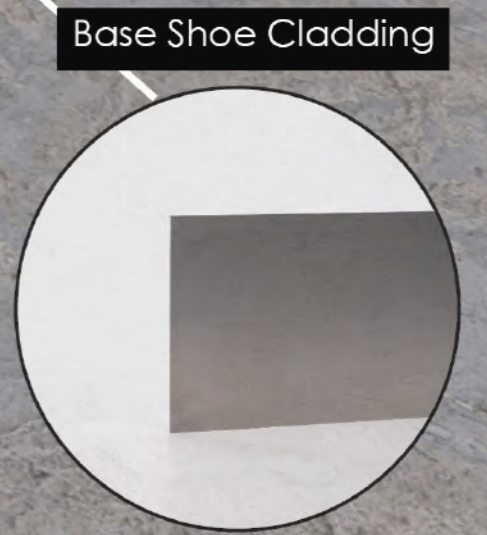
40x40mm Cap Handrail



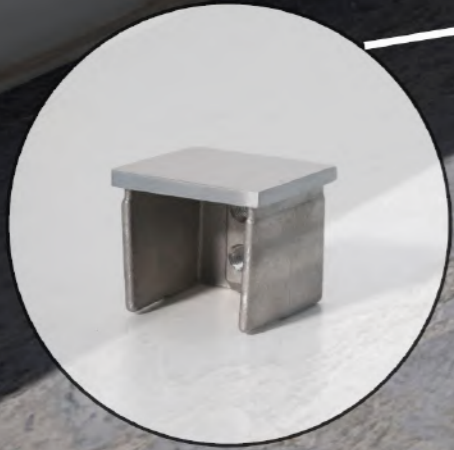
90° Horizontal Elbow



90° Base Shoe Cladding Out



Base Shoe Cladding



End Cap for Handrail



Base Shoe End Cap



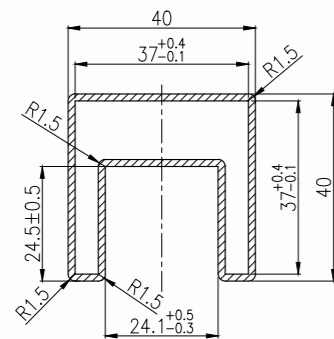
Railing Base Shoe



40x40mm Square Cap-Handrail

Can Be Used In Exterior Setting Or Interior Setting
 Construction Material: 316 Grade Stainless Steel
 Size: 19' Feet Length Available
 Cut To Size Available
 Dimensions: 40mm x 40mm

Model No.	Finish
RAILC4040-16.SS	Brushed Stainless
RAILC4040-16.BL	Matte Black



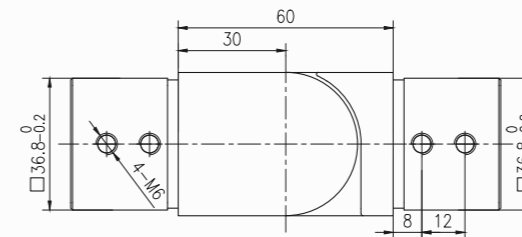
Made of Stainless Steel, our cap rails are durable and provide extensive support to the overall railing system. The cap handrails are an example of modern design with an elegant touch. They uplift the design theme of the area bringing in a sleek and sharp look. These handrails are compatible with all FMF square cap handrail fitting products.



135° Adjustable Downward Elbow

Can Be Used In Exterior Setting Or Interior Setting
 Construction Material: 316 Grade Stainless Steel
 Compatible With: All FMF 40x40mm Square Cap Handrail Products
 Connects Handrails Together

Model No.	Finish
135ELB-C4040D.SS	Brushed Stainless
135ELB-C4040D.BL	Matte Black



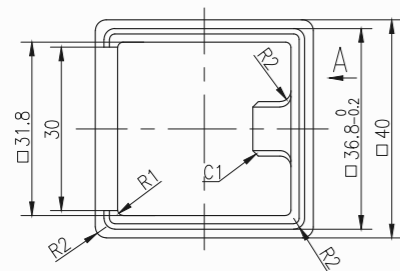
Its flexible nature allows adjusting the angle of the square handrail easily to 135°. Its flexibility has worked well with the square cap handrails. Get in touch with us to learn more about how FMF Hardware products are an excellent choice for your construction and architectural projects. The connector is easy to install, durable and strong.



End Cap

Can Be Used In Exterior Setting Or Interior Setting
 Construction Material: 316 Grade Stainless Steel
 Compatible With: All FMF 40x40mm Square Cap Handrail Products

Model No.	Finish
CAP-C4040.SS	Brushed Stainless
CAP-C4040.BL	Matte Black



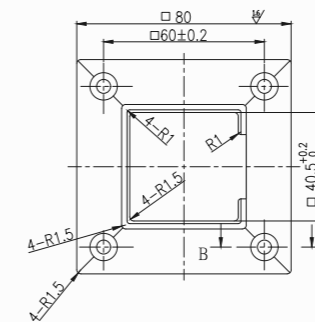
They connect two cap handrails. They are an excellent finishing touch to handrail systems as end caps complete the look. With modern design and approach, these end caps are sure to uplift the overall design of your handrails and complement your architectural projects with finesse.



Flange Disc

Can Be Used In Exterior Setting Or Interior Setting
 Construction Material: 316 Grade Stainless Steel
 Compatible With: All FMF 40x40mm Square Cap Handrail Products
 4 Holes For Wall Mounting Screws
 Secures Handrail To Wall/ Floor

Model No.	Finish
DIS-C4040.SS	Brushed Stainless
DIS-C4040.BL	Matte Black



The flange discs are an optimal choice for our customers for cap handrails installation projects. They complement the appearance of square cap handrails with neat and sharp square corners, transforming the balconies, porches, and fences. As they are resistant to corrosion, they require minimal maintenance and care.

25x21mm Cap Handrail & Fittings

Wall Cap

Straight Connector

90° Elbow

Rectangular Cap Handrail 25x21mm

End Cap

Square Spigot

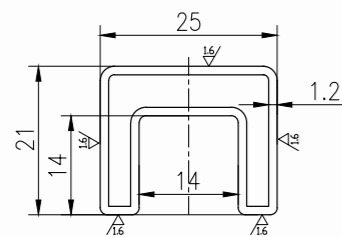
90° Adjustable Elbow



25x21mm Cap-Handrail

Can Be Used In Exterior Setting Or Interior Setting
 Construction Material: 316 Grade Stainless Steel
 Size: 16.4' Feet Length Available
 Cut To Size Available
 Dimensions: 25mm x 21mm

Model No.	Finish
RAILC2521-16.SS	Brushed Stainless
RAILC2521-16.BL	Matte Black



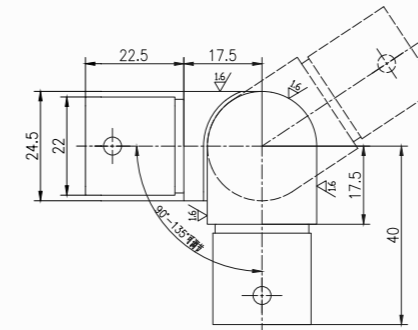
Square Cap Handrails from FMF are slim-styled handrails. They reflect modernity with simplistic design. They can be installed in interior and exterior railing systems to uplift the overall look of the area. Appropriate for commercial and residential properties, these cap handrails are one of the most loved products by our customers.



90° Adjustable Horizontal Elbow

Can Be Used In Exterior Setting Or Interior Setting
 Construction Material: 316 Grade Stainless Steel
 Compatible With: All FMF 25x21mm Rectangular Cap Handrail Products

Model No.	Finish
90ELB-2521H.SS	Brushed Stainless
90ELB-2521H.BL	Matte Black



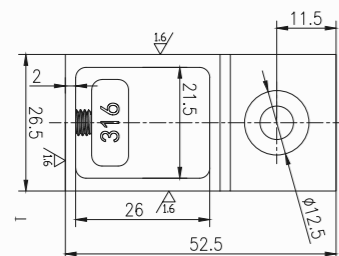
They are constructed of stainless steel; hence, they are perfect to use in interior and exterior railing systems. The H-Elbow fits well with all FMF Square Cap Handrail Fitting Products. It is strong and durable, capable to withstand the interior and exterior environment such as porches, pools, and balconies where railing systems are installed. You can adjust the H-elbow easily by 90°.



Wall Cap

Can Be Used In Exterior Setting Or Interior Setting
 Construction Material: 316 Grade Stainless Steel
 Compatible With: All FMF 25x21mm Rectangular Cap Handrail Products
 1 Hole For Mounting Screw

Model No.	Finish
CAP-2521W.SS	Brushed Stainless
CAP-2521W.BL	Matte Black



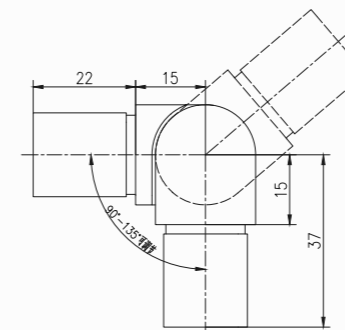
FMF's Wall Caps for 25x21mm Square Cap Handrails are everything you need to improve the safety of your handrails. They make your handrail installations complete by securing the handrails to the wall and are designed to withstand harsh weather conditions when used in outdoor spaces.



90° Adjustable Vertical Elbow

Can Be Used In Exterior Setting Or Interior Setting
 Construction Material: 316 Grade Stainless Steel
 Compatible With: All FMF 25x21mm Rectangular Cap Handrail Products

Model No.	Finish
90ELB-2521A.SS	Brushed Stainless
90ELB-2521A.BL	Matte Black



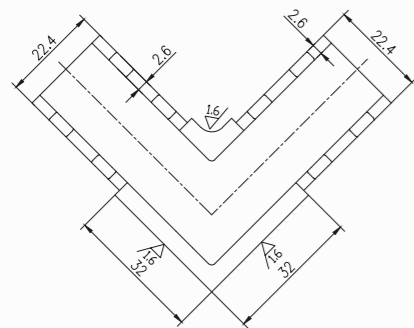
This is the right product for connecting square cap handrails on a 90-degree angle. It guarantees a pleasant and clean look to your handrail systems. They are proven to withstand harsh weather conditions, hence, they are perfect for handrails installed on balconies, staircases, and porches.



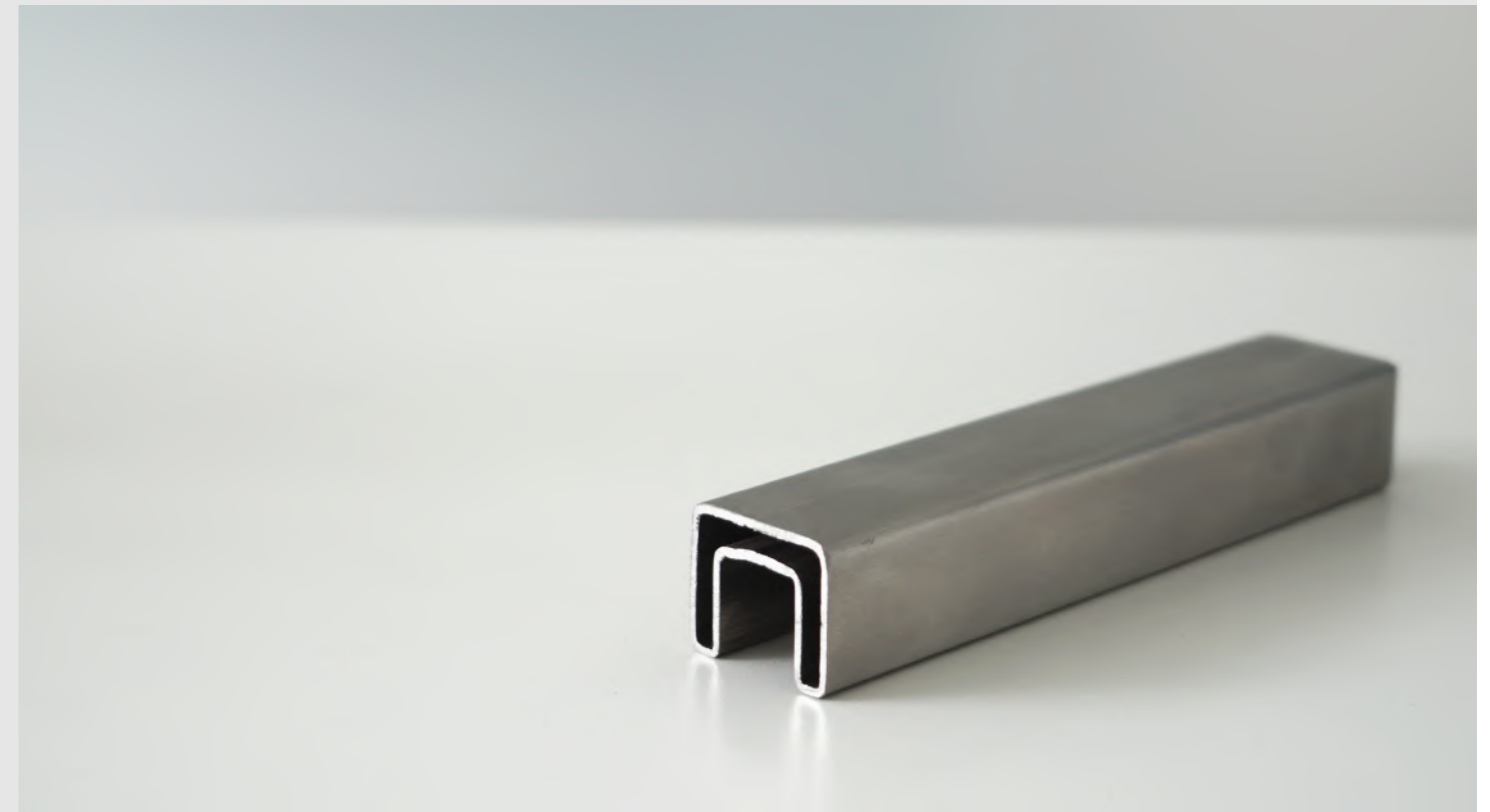
90° Square Cap Elbow

Can Be Used In Exterior Setting Or Interior Setting
 Construction Material: 316 Grade Stainless Steel
 Compatible With: All FMF 25x21mm Rectangular
 Cap Handrail Products

Model No.	Finish
90ELB-2521.SS	Brushed Stainless
90ELB-2521.BL	Matte Black



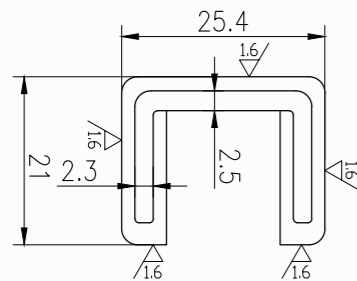
This provides maximum functionality by adjoining the square corners effectively for a longer run. They are proven to offer maximum durability and support to handrails in both interior and exterior environments and areas such as pool fences, porches or balconies where railing systems are exposed to harsh weather conditions.



Straight Inline Connector

Can Be Used In Exterior Setting Or Interior Setting
 Construction Material: 316 Grade Stainless Steel
 Compatible With: All FMF 25x21mm Rectangular
 Cap Handrail Products
 Connects Rectangular Cap Handrails Together

Model No.	Finish
SCC-2521.SS	Brushed Stainless
SCC-2521.BL	Matte Black



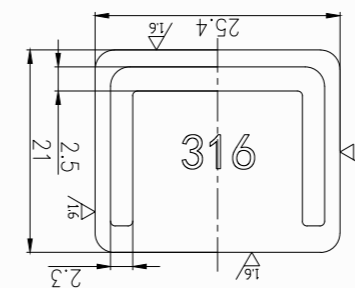
This is the right product for connecting square cap handrails on a 90-degree angle. It guarantees a pleasant and clean look to your handrail systems. They are proven to withstand harsh weather conditions, hence, they are perfect for handrails installed on balconies, staircases, and porches.



End Cap

Can Be Used In Exterior Setting Or Interior Setting
 Construction Material: 316 Grade Stainless Steel
 Compatible With: All FMF 25x21mm Rectangular
 Cap Handrail Products

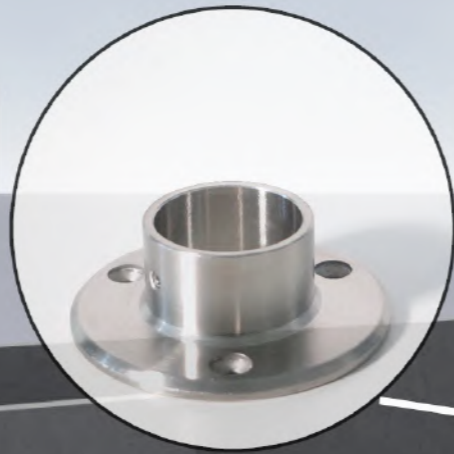
Model No.	Finish
CAP-2521.SS	Brushed Stainless
CAP-2521.BL	Matte Black



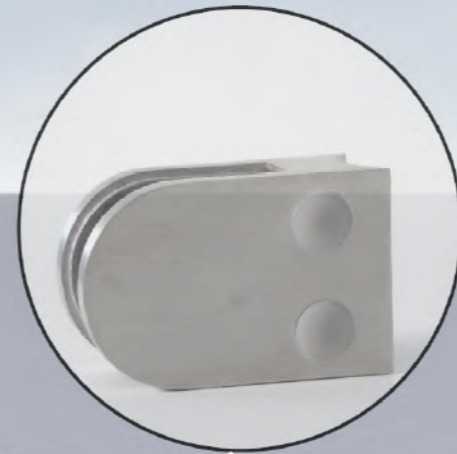
We carry a wide variety of end caps suited to Cap Handrails. They are applicable to use in interior and exterior handrail systems. Our clients prefer these end caps for a wide range of their handrail installation projects. Applicable for a square cap handrail, these end caps provide a smooth and sharp look with square corners.



Handrail Support
RRAIL-SP01.SS



Flange Disc
DIS-381.SS

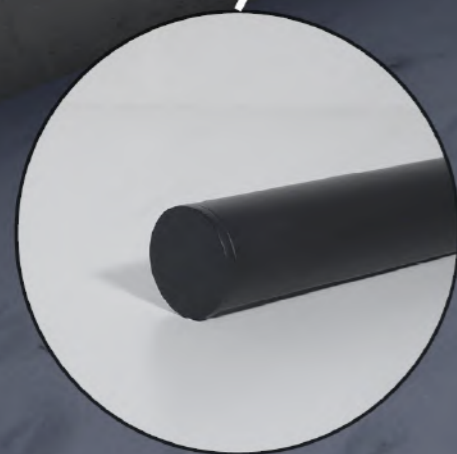


Railing Clamp
RCR-01.SS



90° Sharp Elbow
90ELB-381S.BL

Round Handrail & Fittings



Round Handrail
RAIL-381.BL



Handrail Bracket
HRB-01W0.BL



Round End Cap
CAP-381.BL



Adjustable Elbow
135ELB-381.BL



Railing Post

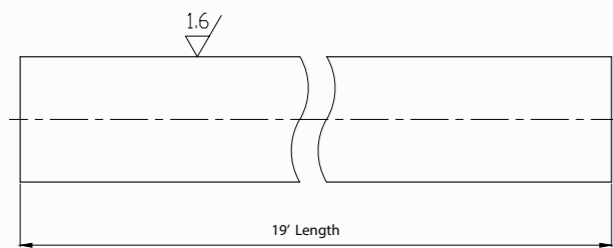


Round Handrail

Can Be Used In Exterior Setting Or Interior Setting
 Cut-to-Size Available
 Construction Material: 316 Grade Stainless Steel
 Size: 16.4' Feet & 19' Feet Length Available
 Compatible with: All FMF Handrail Products

Model No.	Diameter	Finish
RAIL38-19.SS	38.1mm	Brushed Stainless
RAIL38-19.BL	38.1mm	Matte Black
RAIL424-16.SS	42.4mm	Brushed Stainless
RAIL424-16.BL	42.4mm	Matte Black

They are easy to install and maintain. The handrails are available in customized sizes. Available in attractive finishes, they provide elegance to the overall railing installation. Their construction in Stainless Steel enables the handrails to withstand the impact of harsh weather conditions.

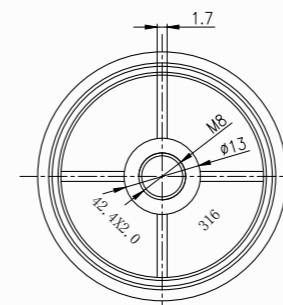


End Cap Threaded

Wall Mounted
 Can Be Used In Exterior Setting Or Interior Setting
 Construction Material: 316 Grade Stainless Steel
 Hole In The Center For Wall Mounting Screw

Model No.	Size	Finish
CAP-424S.SS	42.4mm	Brushed Stainless
CAP-424S.BL	42.4mm	Matte Black

FMF end caps are designed to provide a streamlined look to the handrails. Our components are easy to assemble & flexible enough to suit any project requirements. Made of Stainless Steel, the end caps provide durability, strength & resistance to corrosion for several years. They are perfect for modern architectural projects such as the installation of handrails on balconies, porches, staircases, etc

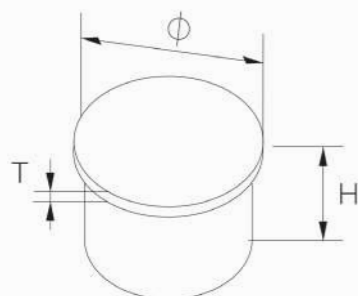


Deep End Cap

Can Be Used In Exterior Setting Or Interior Setting
 Construction Material: 316 Grade Stainless Steel
 Compatible With: All FMF Round Handrails

Model No.	Size	Finish
CAP-424L.SS	42.4mm	Brushed Stainless

Choose FMF Deep End Caps for Round Handrails to finish your handrails with a touch of elegance. These end caps for round handrails offer integrity and harmony in the overall design of your modern construction project. These caps are inserted at the end of the round handrails.

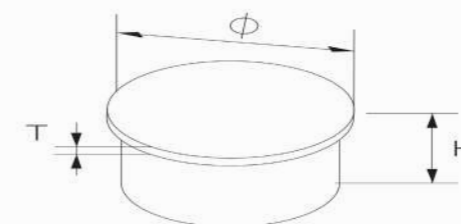


Round End Cap

Can Be Used In Exterior Setting Or Interior Setting
 Construction Material: 316 Grade Stainless Steel
 Compatible With: All FMF Round Handrails

Model No.	Size	Finish
CAP-381.SS	38.1mm	Brushed Stainless
CAP-381.BL	38.1mm	Matte Black
CAP-4240.SS	42.4mm	Brushed Stainless
CAP-4240.BL	42.4mm	Brushed Stainless

Their perfect design and shape create a unique look for the round handrails. We carry two of the most popular finishes for the round-end caps - Matte Black and Brushed Stainless for a sophisticated appeal. They are compatible with All FMF Round Handrails according to their sizes.

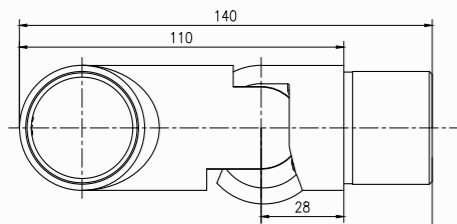




Adjustable Handrail Elbow Connector

Can be Used In Exterior Setting Or Interior Setting
 Construction Material: 316 Grade Stainless Steel
 Compatible with: All FMF 42.4mm Round Handrails
 Finish: Brushed Stainless

Model No.	Corner	Rotation Angle
110ELB-L424.SS	Left	90-70°
110ELB-R424.SS	Right	110-180°



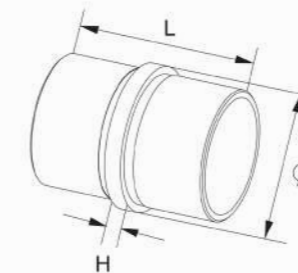
FMF's flexible handrail elbow connector is used to join two round tubes for forming the corner of the handrail. Our adjustable handrail elbow connector is ideal for architectural projects, such as the installation of stairs and railings. Its flexible nature fits well with the round handrails for easy movement.



Straight Tube Connector

Straight Inline Round Handrail Connector
 Can be Used In Exterior Setting Or Interior Setting
 Construction Material: 316 Grade Stainless Steel
 Compatible with: All FMF 38.1mm Round Handrails

Model No.	Size	Finish
SCC-381.SS	38.1mm	Brushed Stainless
SCC-381.BL	38.1mm	Matte Black



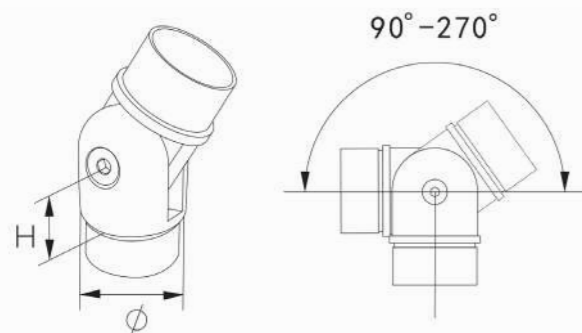
Straight Tube Connectors for round handrail by FMF are made of Stainless Steel. Therefore, they are strong and durable, resistant to corrossions and able to sustain extreme weather conditions. The Straight Inline Round Handrail Connectors are designed considering the contemporary installation requirements of architects and builders.



135° Adjustable Elbow

Can Be Used In Exterior Setting Or Interior Setting
 Construction Material: 316 Grade Stainless Steel
 Compatible With: All FMF Round Handrails
 Connects Handrails at a 135° angle

Model No.	Size	Finish
135ELB-381.SS	38.1mm	Brushed Stainless
135ELB-381.BL	38.1mm	Matte Black
135ELB-424.SS	42.4mm	Brushed Stainless
135ELB-424.BL	42.4mm	Matte Black



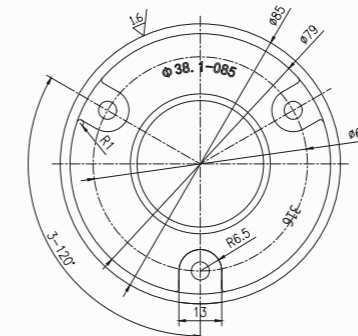
This adjustable elbow is manufactured considering the architectural requirements, such as the installation of stairs & rails in the interior & exterior spaces. They are strong, durable & resistant to corrosion and are just what you need for a successful installation of handrails in residential & commercial properties.



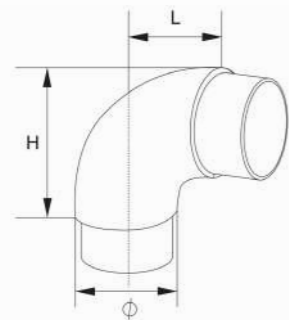
Flange Disc

Can Be Used In Exterior Setting Or Interior Setting
 Construction Material: 316 Grade Stainless Steel
 Compatible With: All FMF Round Handrails

Model No.	Size	Finish
DIS-381.SS	38.1mm	Brushed Stainless
DIS-381.BL	38.1mm	Matte Black
DIS-424.SS	42.4mm	Brushed Stainless



Choose our easy-to-install Flange Discs, offering a finished appearance to round handrails along with securing the ends of the tubes, these flange discs are a smart pick for handrails in balconies, porches, staircases, fences, etc. They require minimal maintenance and are durable for several years with optimum performance.

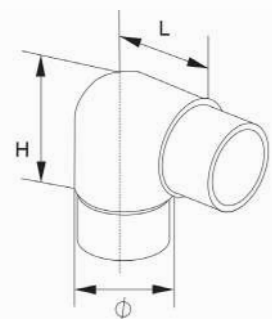


90° Curve Elbow

Can be Used In Exterior Setting Or Interior Setting
 Construction Material: 316 Grade Stainless Steel
 Compatible with: All FMF Round Handrails
 Connects Handrails at a 90° angle
 Curved Edge Design

Model No.	Size	Finish
90ELB-381C.SS	38.1mm	Brushed Stainless
90ELB-424C.SS	42.4mm	Brushed Stainless

The connector is easy to use, with high quality and finished corners. The curved edge design gives a classic look to the overall railing systems designs. It is ideal for architectural projects such as the installation of railing systems at staircases, porches, balconies, etc.

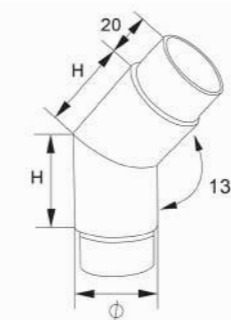


90° Sharp Elbow

Can Be Used In Exterior Setting Or Interior Setting
 Construction Material: 316 Grade Stainless Steel
 Compatible With: All FMF Round Handrails
 Connects Handrails at a 90° angle
 Sharp Edge Design

Model No.	Size	Finish
90ELB-381S.SS	38.1mm	Brushed Stainless
90ELB-381S.BL	38.1mm	Matte Black
90ELB-424S.SS	42.4mm	Brushed Stainless
90ELB-424S.BL	42.4mm	Matte Black

It creates a sharp 90° turn on the round handrail giving an aesthetic look and design to the handrails. It also provides durability and strength, so you need not worry as your architectural project installations will be long-lasting. With FMF Glass Hardware products, you get easy installation and the promise of maintaining quality standards.



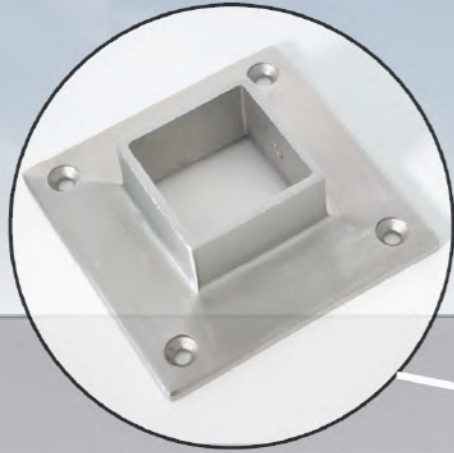
45° Elbow

Can Be Used In Exterior Setting Or Interior Setting
 Construction Material: 316 Grade Stainless Steel
 Compatible With: All FMF Round Handrails
 Connects Handrails at a 45° angle

Model No.	Size	Finish
45ELB-381.SS	38.1mm	Brushed Stainless
45ELB-424.SS	38.1mm	Brushed Stainless

It is easy to install, saving you time and effort during the assembly process. Its sleek design and finish add a touch of elegance to any staircase, balcony, or other architectural applications. This elbow is built to withstand the rigors of daily use while maintaining its functionality and visual appeal.

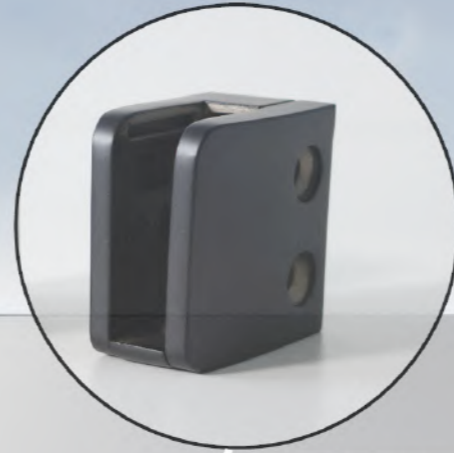
Square Handrail & Fittings



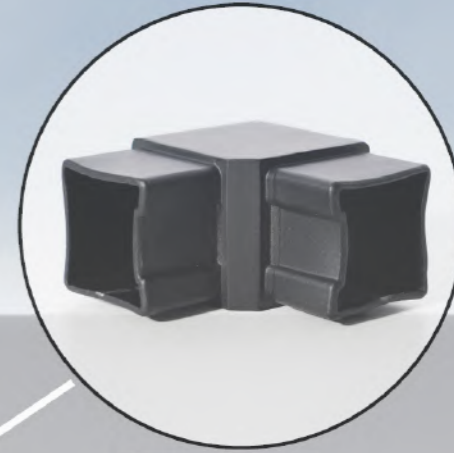
Flange Disc



Handrail Support



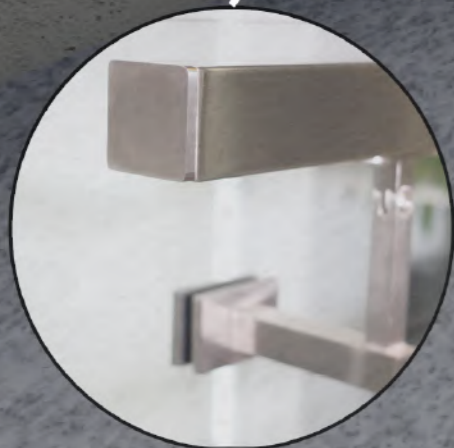
Railing Clamp



90° Elbow



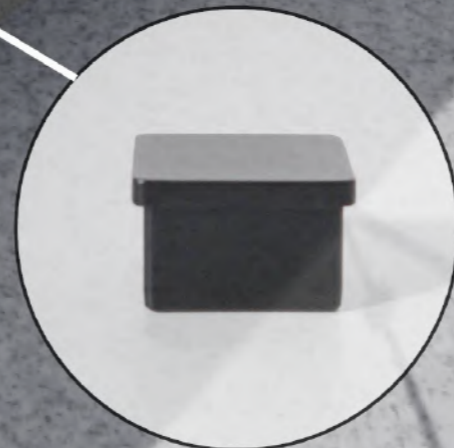
Railing Post



Square Handrail



Handrail Bracket



End Cap



Adjustable Elbow

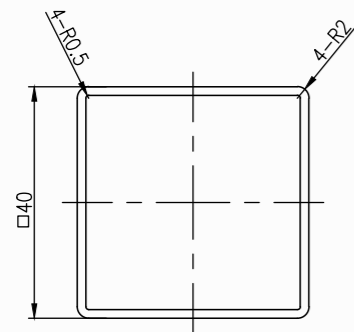


Square 40x40mm Handrail

Can Be Used In Exterior Setting Or Interior Setting
 Construction Material: 316 Grade Stainless Steel
 Size: 19' Feet Length Available
 Cut To Size Available
 Dimensions: 40mm x 40mm

Model No.	Finish
RAIL4040-19.SS	Brushed Stainless
RAIL4040-19.BL	Matte Black

FMF Square 40x40mm Handrails are an example of sophistication and strength. The square handrail tubes are made of high-quality Stainless Steel for corrosion resistance. Hence, our handrails are suitable to install in interior and exterior places such as balconies, porches, patios, etc., of residential as well as commercial areas.

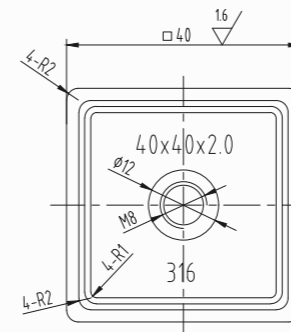


End Cap Threaded

Can Be Used In Exterior Setting Or Interior Setting
 Construction Material: 316 Grade Stainless Steel
 Compatible With: All FMF 40x40mm Square Handrail Products

Model No.	Finish
CAP-4040H.SS	Brushed Stainless

These square handrail end caps are threaded and are compatible with all FMF square handrail products. They are built with high-quality Stainless Steel providing durability and corrosion resistance for a long time. Give a unique and modern appeal to your handrails so that they complement the overall look of your area.

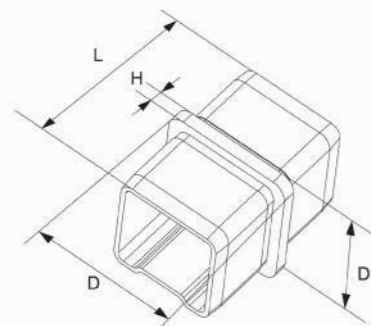


Straight Square Connector

Can Be Used In Exterior Setting Or Interior Setting
 Construction Material: 316 Grade Stainless Steel
 Compatible With: All FMF 40x40mm Square Handrail Fitting Products
 Connects Square Handrails Together

Model No.	Finish
SCC-4040.SS	Brushed Stainless
SCC-4040.BL	Matte Black

Promising durability and strength, they secure the square handrails for a long time. We provide two popular finishes for the connectors – Brushed Stainless and Matte Black to expand the horizons of matching the design requirements of the handrails. They are resistant to corrosion and do not wear off in wet or dry environments.

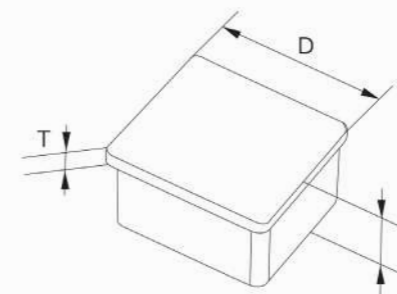


End Cap

Can Be Used In Exterior Setting Or Interior Setting
 Construction Material: 316 Grade Stainless Steel
 Compatible With: All FMF 40x40mm Square Handrail Products

Model No.	Finish
CAP-4040.SS	Brushed Stainless
CAP-4040.BL	Matte Black

They are an efficient support system to the square handrails by adding a complete look. Their unique design and manufacturing encourage them to use in interior and exterior places. From Matte Black to Brushed Stainless, these finishes can uplift the look of your handrails to the next level.

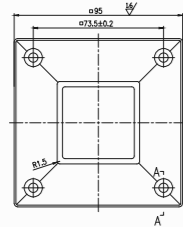




Flange Disc

Can Be Used In Exterior Setting Or Interior Setting
 Construction Material: 316 Grade Stainless Steel
 Compatible With: All FMF 40x40mm Square Handrail Products
 4 Holes For Wall Mounting Screws
 Secure Handrail To Wall/ Floor

Model No. DIS-4040.SS
Finish Brushed Stainless



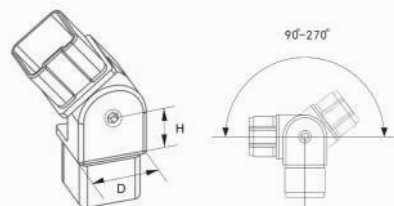
If you are looking for a sharp look & complete your installation, then FMF Flange Discs for Square Handrails are your ideal choice for securing handrails to the wall & floor. Along with fixing the square handrails, these discs also add a unique touch to the overall design of the handrails.



135° Adjustable Square Elbow

Can Be Used In Exterior Setting Or Interior Setting
 Construction Material: 316 Grade Stainless Steel
 Compatible With: All FMF 40x40mm Square Handrail Products

Model No. 135ELB-4040.SS
 135ELB-4040.BL
Finish Brushed Stainless
 Matte Black



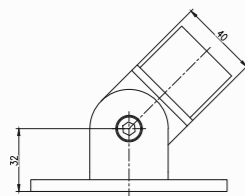
FMF's flexible square handrail elbow connector can connect two square handrails for forming the corner of the handrail. Our adjustable handrail elbow connector is ideal for architectural projects, such as the installation of handrails in the interior or exterior architectural projects.



Square Flexible Tube Base-Mount

Can Be Used In Exterior Setting Or Interior Setting
 Construction Material: 316 Grade Stainless Steel
 Compatible With: All FMF 40x40mm Square Handrail Fitting Products
 Secure Handrail To Wall/ Floor
 180° Adjustable, 4 Holes for Mounting Screw

Model No. ABM-4040.SS
 ABM-4040.BL
Finish Brushed Stainless
 Matte Black



The square base mount can be adjusted to allow the square handrail to be installed at a desired angle. It is adjustable to move up to 180° for gaining level at any staircases or balconies. It is also capable to sustain extreme weather conditions when used for exterior spaces.



135° Vertical Cap-Rail Elbow

135° Adjustable Downward Elbow / For FMF 40x40 MM Square Cap Handrail Connects Handrails Together Can Be Used In Exterior Setting Or Interior Setting / Construction Material: 316 Grade Stainless Steel / Compatible With: All FMF 40x40 MM Cap Handrail Products

Model No. 135ELB-C4040D.BL
 135ELB-C4040D.SS
Finish Matte Black
 Brushed Stainless

This 135° Adjustable Downward Elbow is designed for use with FMF 40x40mm square cap handrails, providing a reliable connection between handrails. Made from durable 316-grade stainless steel, it is suitable for both interior and exterior settings.

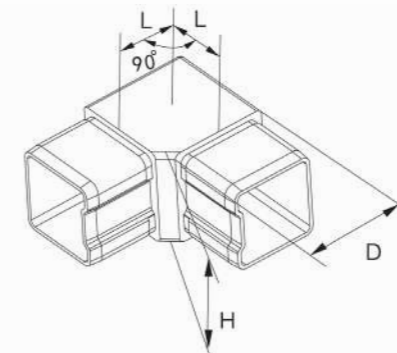
This elbow fitting is fully compatible with all FMF 40x40mm cap handrail products and ensures a secure, adjustable connection. It is backed by a 1-year limited warranty and ships via a third-party courier service for added convenience.



90° Square Elbow

Can Be Used In Exterior Setting Or Interior Setting
 Construction Material: 316 Grade Stainless Steel
 Compatible With: All FMF 40x40mm Square Handrail Products
 Connects Handrails At A 90° Angle

Model No. 90ELB-4040.SS
 90ELB-4040.BL
Finish Brushed Stainless
 Matte Black



The elbow transforms your architectural designs that involve railing installations with modern-looking materials. It helps create a completely unique look to your architectural design. The square handrail connection is appropriate for inside and outside 90° corner joints of handrails in the railing systems at staircases, balconies, porches, fences, etc.

Rectangular Handrail & Fittings

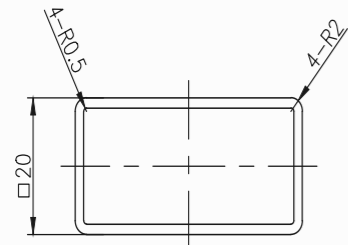




40x20mm Rectangular Handrail

Connects Rectangular Handrails Together
Can Be Used In Exterior Setting Or Interior Setting
Construction Material: 316 Grade Stainless Steel
Length: 16.4 Feet
Cut to Size Available

Our clients are extremely happy with the appearance of these handrails as they are designed to suit modern design requirements, providing durability and corrosion resistance.

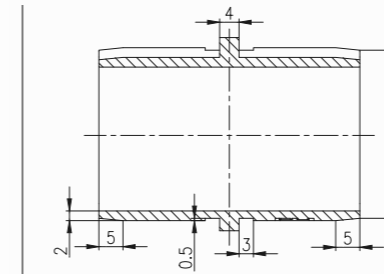


Model No.	Finish
RAIL4020-16.SS	Brushed Stainless
RAIL4020-16.BL	Matte Black



Straight Connector

Connects Rectangular Handrails Together
Can Be Used In Exterior Setting Or Interior Setting
Construction Material: 316 Grade Stainless Steel
Compatible With: All FMF 40x20mm Rectangular Handrail Products



Model No.	Finish
SCC-4020.SS	Brushed Stainless
SCC-4020.BL	Matte Black



50x25mm Rectangular Handrail

Construction Material: 316 Grade Stainless Steel
Length: 16.4 Feet

Crafted from 316 grade stainless steel, this rectangular handrail offers superior corrosion resistance, making it an ideal choice for interior and exterior applications alike. Compatible with all FMF 50x25mm rectangular handrail fittings, it integrates seamlessly into your project with minimal effort.

Model No.	Finish
RAIL5025-16.SS	Brushed Stainless
RAIL5025-16.BL	Matte Black



135° Adjustable Vertical Elbow

135° Adjustable Horizontal Elbow / For FMF 40x20 MM Square Cap Handrail
Connects Handrails Together / Can Be Used In Exterior Setting Or Interior Setting / Construction Material: 316 Grade Stainless Steel / Compatible With: All FMF 40x20 MM Cap Handrail Products

Manufactured of 316-grade stainless steel, it is durable and strong. It works well for connecting handrails together. Its flexible nature allows adjusting the angle of the square handrail easily to 135°. Its flexibility has worked well with the square cap handrails. Get in touch with us to learn more about how FMF Hardware products are an excellent choice for your construction and architectural projects.

Model No.	Finish
135ELB-4020H.BL	Matte Black
135ELB-4020H.SS	Brushed Stainless



135° Adjustable Horizontal Elbow

135° Vertical Elbow / For FMF 40x20 MM Square Cap Handrail Connects Handrails Together
Can Be Used In Exterior Setting Or Interior Setting / Construction Material: 316 Grade Stainless Steel / Compatible With: All FMF

Manufactured of 316-grade stainless steel, it is durable and strong. It works well for connecting handrails together. Its flexible nature allows adjusting the angle of the square handrail easily to 135°. Its flexibility has worked well with the square cap handrails. Get in touch with us to learn more about how FMF Hardware products are an excellent choice for your construction and architectural projects.

Model No.	Finish
135ELB-4020V.BL	Matte Black
135ELB-4020V.SS	Stainless Steel
135ELB-5025H.BL	Matte Black
135ELB-5025H.SS	Stainless Steel
135ELB-5025V.BL	Matte Black
135ELB-5025V.SS	Stainless Steel



Rectangular End Cap

Connects Rectangular Handrails Together
 Construction Material: 316 Grade Stainless Steel
 Compatible With: All FMF 40x20MM and 50x25MM Rectangular Handrail Products

We carry a stock of end caps suited for rectangular handrails. They are perfect for interior and exterior spaces such as porches or balconies.

Model No.	Finish	Size
CAP-4020.SS	Brushed Stainless	40x20 MM
CAP-4020.BL	Matte Black	40x20 MM
CAP-5025.SS	Brushed Stainless	50x25 MM
CAP-5025.BL	Matte Black	50x25 MM

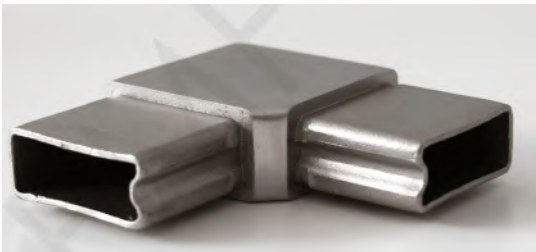


Straight Connector for Rectangle Handrail

Straight Join: Connects two handrails at a 180° angle / Material: Durable, corrosion-resistant stainless steel / Finishes: Available in Brushed Stainless Steel and Matte Black \ Quick Install: Simplifies the setup process

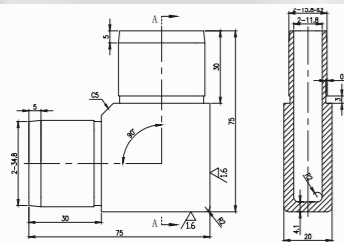
Model No.	Finish
SCC-5025.BL	Matte Black
SCC-5025.SS	Brushed Stainless

The 180° Connector is a practical and durable solution for seamlessly joining two rectangular handrail sections in a straight line. Crafted from high-quality stainless steel, it ensures a strong, secure connection with a clean, finished look. Ideal for both residential and commercial railing systems, this connector is designed for easy installation, helping reduce time and effort on-site. The 180° Connector is designed to join two handrails in a straight line at a 180° angle, offering a durable and corrosion-resistant stainless steel construction. It comes in Brushed Stainless Steel and Matte Black finishes and is engineered for quick, easy installation to streamline the setup process.



90° Rectangular Elbow

Connects Rectangular Handrails at A 90° Angle
 Can Be Used In Exterior Setting Or Interior Setting
 Construction Material: 316 Grade Stainless Steel
 Compatible With: All FMF 40x20mm Rectangular Handrail Products



Model No.	Finish
90ELB-4020.SS	Brushed Stainless
90ELB-4020.BL	Matte Black

The elbow enables the execution of handrails installation with finesse. They add a touch of classic style & completeness to the handrails.

90° Elbow for 50x25MM Rectangle Handrail

90° Elbow For FMF 50x25 MM Rectangle Handrail Connects Handrails Together Can Be Used In Exterior Setting Or Interior Setting / Construction Material: 316 Grade Stainless Steel / Compatible With: All FMF 50x25 MM Handrail Products



Model No.	Finish
90ELB-5025.BL	Matte Black
90ELB-5025.SS	Brushed Stainless

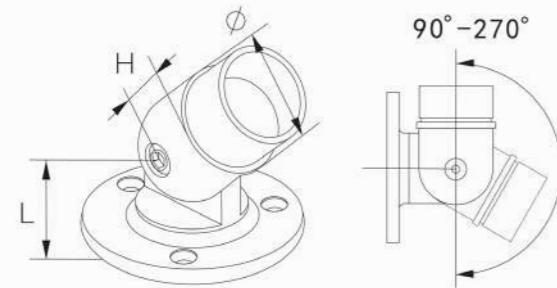
The 90° Connector is specially crafted to join FMF 50x25 mm rectangular handrail sections at a right angle, making it ideal for both interior and exterior use in residential and commercial settings. Made from premium 316 stainless steel, it offers excellent corrosion resistance and long-lasting durability. Fully compatible with all FMF 50x25 mm handrail products, it ensures a seamless fit and dependable performance. The connector ships via a trusted third-party courier and includes a limited 5-year warranty for added peace of mind.



Flexible Base Mount

Can be Used In Exterior Setting Or Interior Setting
 Construction Material: 316 Grade Stainless Steel
 Compatible with: All FMF Round Handrails
 Wall/ Floor Mounted
 3 Slots For Mounting Screws

Model No.	Size	Finish
ABM-381.SS	38.1mm	Brushed Stainless



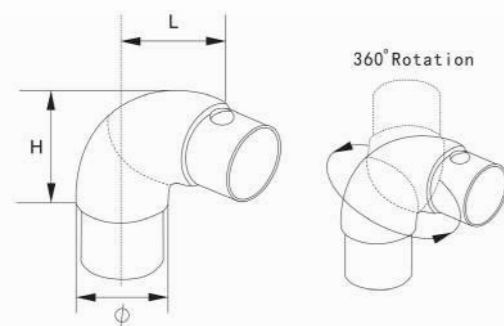
FMF's Adjustable Base Mount for handrails is just the product you need to accomplish your handrails installation project. Our base mount is suitable for a wide range of applications for handrails at stairs, balconies, decks, and patios. Our hardware solution is what you need to accomplish your railing system installation in one go.



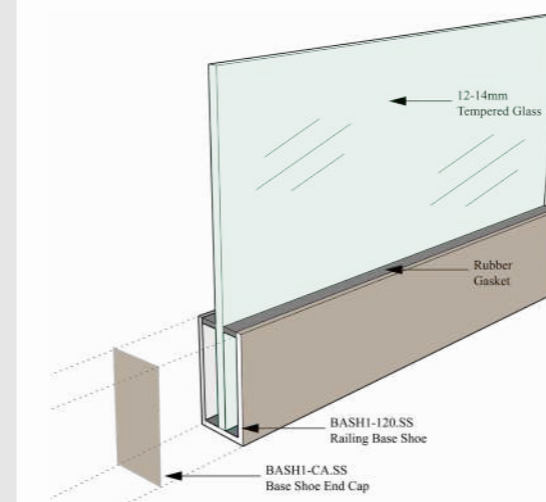
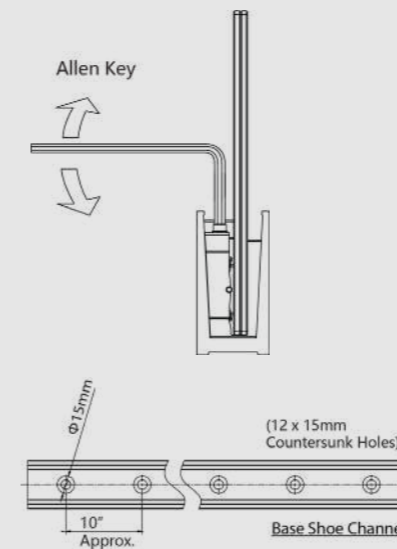
Rotating Elbow

360° Rotating Adjustable Connecting Elbow
 Can Be Used In Exterior Setting Or Interior Setting
 Construction Material: 316 Grade Stainless Steel
 Compatible With: All FMF Round Handrails

Model No.	Size	Finish
360ELB-381.SS	38.1mm	Brushed Stainless
360ELB-424.SS	42.4mm	Brushed Stainless



Base Shoe Railing System



Railing Base Shoe

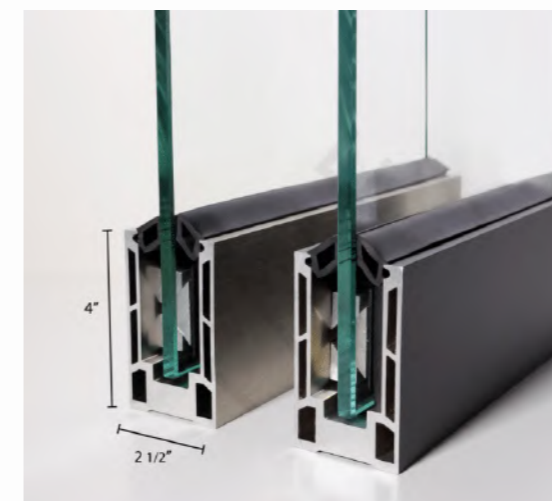
Approved by The National Building Code
 Applicable for: 12mm -14mm Tempered Glass
 Can Be Used In Exterior Setting Or Interior Setting
 Construction Material: Aluminum
 Function: To Secure Glass Railing
 Size: 4" Height & 120" Length
 Kit includes: 1 Channel (120"), 2 Gaskets, 2 End-caps, 9 Glass Clamps
 Secured By Screws (Sold separately) Bolted To Floor

Model No.	Finish
BASH1-120.SS	Brushed Stainless
BASH1-120.BL	Matte Black Pre-finished

Our railing base shoe system is secured to the floor, providing maximum stability to the glass railings. It also provides a professional and modern look to the overall area with low visibility and a neat design. The Aluminum Base runs along the bottom of the glass panes safely by securing them from the floors at every angle.

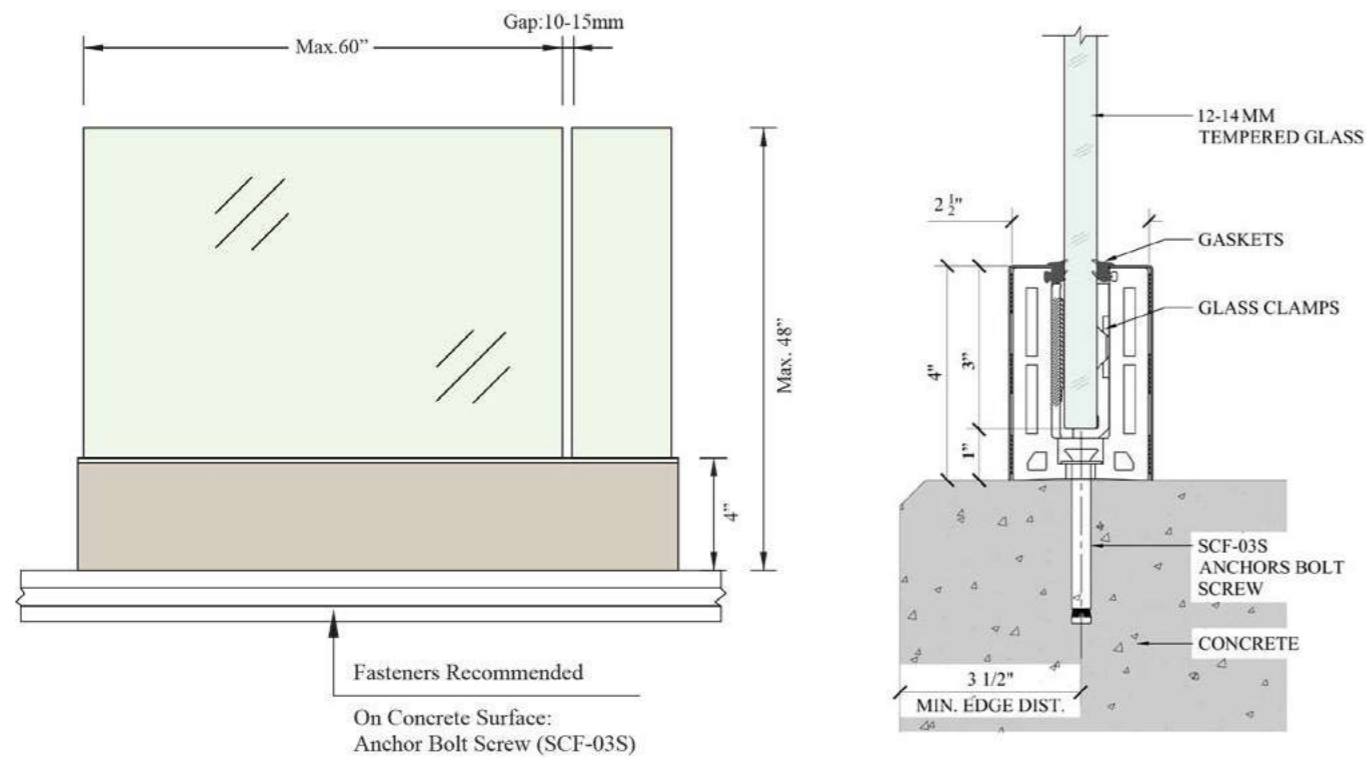
Base Shoe Gasket

Designed for use with the FMF Base Shoe, the FMF Top Rubber Gasket seals the top of the Base Shoe pocket once the glass is installed. It also serves as an effective seal when paired with the FMF Base Shoe for slant pours.



Model No.	Finish
BASH1-GAS.10	

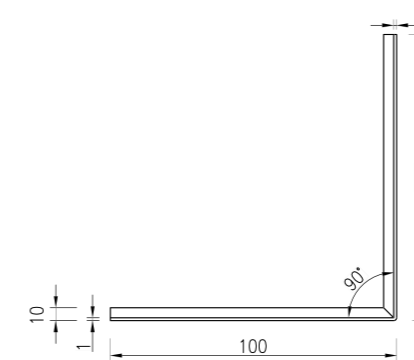
Designed for use with the FMF Base Shoe, the FMF Top Rubber Gasket seals the top of the Base Shoe pocket once the glass is installed. It also serves as an effective seal when paired with the FMF Base Shoe for slant pours.



90° Base Shoe Cladding Out

Can Be Used In Exterior Setting Or Interior Setting
 Function: Cover Plate For Base Shoe Finishing
 For Mitered Corner Application
 Secured By Using Silicone Sealant/ Cladding Tape

Model No.	Finish	Construction Material
BASH1-902.SS	Brushed Stainless	316 Grade SS
BASH1-902.BL	Matte Black	304 Grade SS



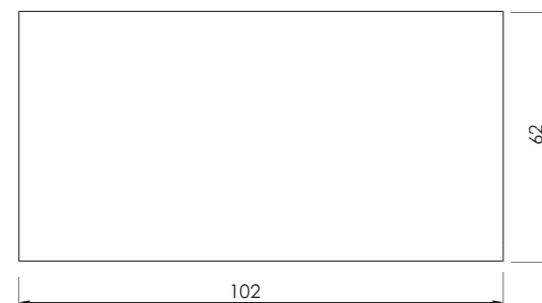
The cladding covers the outside edge of the Base Shoe and is perfect for mitered corners. Use the 90° Base Shoe Cladding (Outside) for interior or exterior areas of commercial, public or residential places. Our cover plate is manufactured in 316 Grade Stainless Steel showcases FMF's promise to deliver quality products to our clientele.



Base Shoe End Cap

Can Be Used In Exterior Setting Or Interior Setting
 Construction Material: 316 Grade Stainless Steel
 Function: End Cap For Base Shoe Finishing
 Secured By Using Silicone Sealant/ Cladding Tape

Model No.	Finish	Construction Material
BASH1-CA.SS	Brushed Stainless	316 Grade SS
BASH1-CA.BL	Matte Black	304 Grade SS



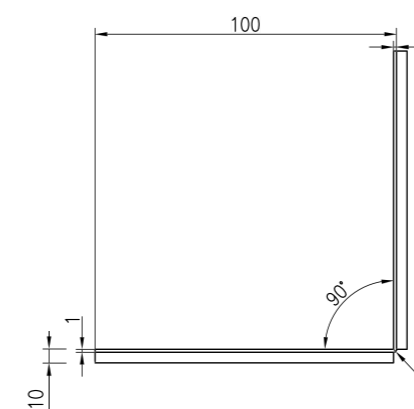
Its sleek and modern design is suitable for all types of railings, giving a clear view from the balconies and other areas. It ensures clear visibility with a finished look when installed at the ends of a base shoe. It is a perfect choice when it comes to durability and rust-proof.



90° Base Shoe Cladding In

Can Be Used In Exterior Setting Or Interior Setting
 Function: Cover Plate For Base Shoe Finishing
 For Mitered Corner Application
 Secured By Using Silicone Sealant/ Cladding Tape

Model No.	Finish	Construction Material
BASH1-901.SS	Brushed Stainless	316 Grade SS
BASH1-901.BL	Matte Black	304 Grade SS



It is an excellent cover plate for base shoe finishing as it secures the inside edge of the Base Shoe effectively. FMF Mitered Corner Cladding matches the designs of architectural projects. The 90° cladding is the perfect cover for the 90° inside corners of your base shoe. Quick and easy to install, it is the best fit for your project.

Self-Closing Gate Hinges



Self-Closing Hinge for 40x40mm Square Post/Glass

Can Be Used In Exterior Setting Or Interior Setting
Construction Material: 316 Grade Stainless Steel
Function: To Open & Hold Open Glass Doors
Accessories: Screws, Bolts, Gaskets
Mounts Onto Square Railing Posts
Self-Closing

Model No.	Finish
HYP-90S.SS	Brushed Stainless

Crafted with precision and durability in mind, our Self-Closing Hinge features high-quality materials that guarantee long-lasting performance. The hinge is engineered to effortlessly self-close, providing added convenience and peace of mind. Its sleek design and finish enhance the aesthetic appeal of your glass installations, complementing any modern architectural style.



Self-Closing Hinge Glass-to-Glass

Can Be Used In Exterior Setting Or Interior Setting
Construction Material: 316 Grade Stainless Steel
Function: To Open & Hold Open Glass Doors
Accessories: Screws, Bolts, Gaskets
Mounts Onto Fixed Panel
Self-Closing

Model No.	Finish
HYP-180.SS	Brushed Stainless

Try our Hydraulic Self-Closing Hinge, Glass-to-Glass for gates. Assisted for easy opening of the gates, these hinges allow the doors to self-close from any position and prevent unnecessary slamming against the latch. You can also regulate the speed of the hinges for opening and closing.

Self-Closing Hinge for 42.4mm Round Post/Glass

Can Be Used In Exterior Setting Or Interior Setting
Construction Material: 316 Grade Stainless Steel
Function: To Open & Hold Open Glass Doors
Accessories: Screws, Bolts, Gaskets
Mounts Onto Round Railing Posts
Self-Closing

Model No.	Finish
HYP-90R.SS	Brushed Stainless

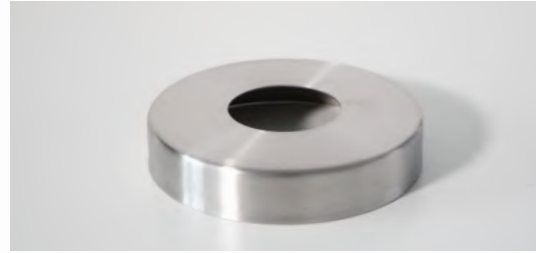
Our Self-Closing Glass-to-Post Hinges are ideal for 42.4mm Round Posts. They offer convenience to the users while opening and closing the gate due to their self-closing feature and speed adjustment option. Their durability enables them to use for interior and exterior spaces with the best transparency.

Glass Railing Post Attachments



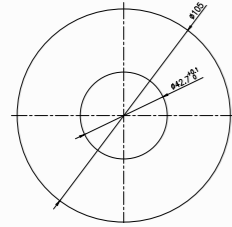
Railing posts attachments, also known as handrail support attachments, are used to secure handrails to railing posts. FMF Hardware offers innovative designs for railing posts attachments, that are perfect for all FMF square or round railing posts. Proper attachments are essential for any successful railing installation. These are fit for 10-12mm tempered glass and come with a 3-year limited warranty.

Railing post attachments are crucial for safety and durability. FMF Hardware railing post attachments offer best support for handrails by keeping them unmoved and fixated to railing posts. They can simplify the task of sturdy railing installation.



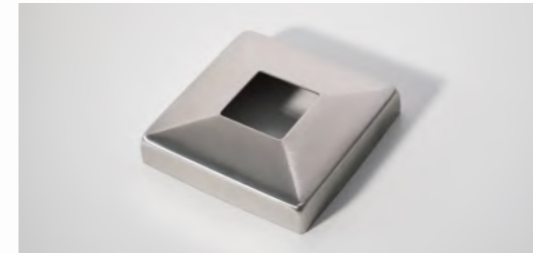
Round Base Flange Cover

Can Be Used In Exterior Setting Or Interior Setting
 Construction Material: 316 Grade Stainless Steel
 Compatible With: All FMF 42.4mm Round Railing Posts
 Cover Plate For Flange Disk



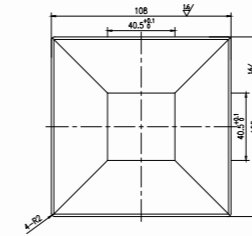
Model No.	Finish
RPA-01.SS	Brushed Stainless

These disk covers are easy to install and are built with high-quality standards. They give a finishing look to the railing systems.



Square Base Flange Cover

Can Be Used In Exterior Setting Or Interior Setting
 Construction Material: 316 Grade Stainless Steel
 Compatible With: All FMF 40x40mm Square Railing Posts
 Cover Plate For Flange Disk



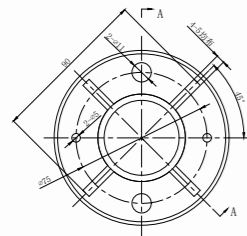
Model No.	Finish
SPA-01.SS	Brushed Stainless
SPA-01.BL	Matte Black

The square flange covers offer a sleek and modern finish. Choosing our base flange covers ensures your elegant railing systems will last longer.



Round Base Flange Disc

Construction Material: 316 Grade Stainless Steel
 Compatible With: All FMF 42.4mm Round Railing Posts
 Function: Used To Secure Custom Railing Posts As A Base Secured To Floor Using Screws
 Railing Post To Be Welded To Flange Disk



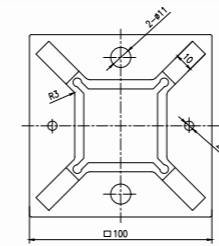
Model No.	Finish
RPA-02.SS	Brushed Stainless

The railing posts can be welded to the flange disk. Made of Stainless Steel, these discs are durable and resistant to corrosion, offering support to railing posts for a long time.



Square Base Flange Disc

Construction Material: 316 Grade Stainless Steel
 Compatible With: All FMF 40x40mm Square Railing Posts
 Function: Used To Secure Custom Railing Posts As A Base Secured To Floor Using Screws
 Railing Post To Be Welded To Flange Disk



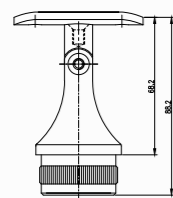
Model No.	Finish
SPA-02.SS	Brushed Stainless

They are perfect for providing a base to custom railing posts as they are able to withstand the impact of wear and tear and harsh weather environments.



Round Handrail Support with Movable Saddle

Can Be Used In Exterior Setting Or Interior Setting
 Construction Material: 316 Grade Stainless Steel
 Compatible With: All FMF 42.4mm Round Railing Posts
 Function: To Secure Handrail To Railing Post Secured To Railing Post With Adhesive Glue
 Interchangeable Saddles (For Square & Round Handrails)
 Adjustable Up To 90°



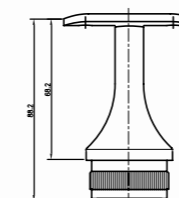
Model No.	Finish
RRAIL-SP02.SS	Brushed Stainless
RRAIL-SP02.BL	Matte Black

These round handrail supports are equipped with a round saddle. They enhance the look of railing posts in the interior and exterior locations of any property, commercial or residential.



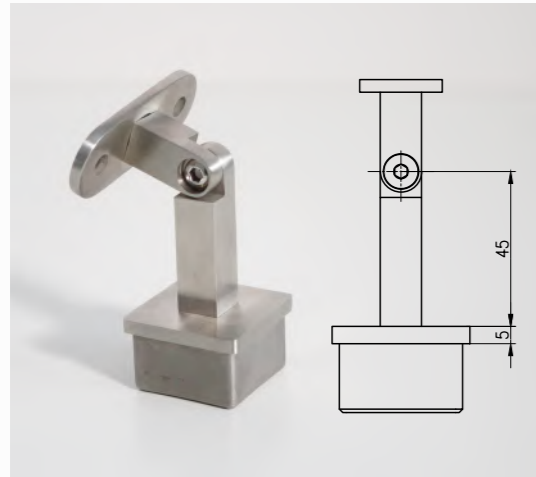
Round Handrail Support with Fixed Saddle

Can Be Used In Exterior Setting Or Interior Setting
 Construction Material: 316 Grade Stainless Steel
 Compatible With: All FMF 42.4mm Round Railing Posts
 Function: To Secure Handrail To Railing Post Secured To Railing Post With Adhesive Glue
 Interchangeable Saddles (For Square & Round Handrails)



Model No.	Finish
RRAIL-SP01.SS	Brushed Stainless
RRAIL-SP01.BL	Matte Black

Made of Stainless Steel, they provide durability, resistance to corrosion and support for a long time. They are compatible with all FMF round railing posts and they efficiently secure handrails to railing posts.



Adjustable Square Handrail Support

Can Be Used In Exterior Setting Or Interior Setting
 Construction Material: 316 Grade Stainless Steel
 Compatible With: All FMF 40x40mm Square Railing Posts
 Function: To Secure Handrail To Railing Post
 Secured To Railing Post With Adhesive Glue
 Interchangeable Saddles (For Square & Round Handrails)
 Innovated Design, Adjustable Up To 90°

Model No.	Finish
SRAIL-SP03.SS	Brushed Stainless
SRAIL-SP03.BL	Matte Black

These flexible handrail supports are adjustable up to 90 degrees allowing your handrail system to be facing upwards or downwards.

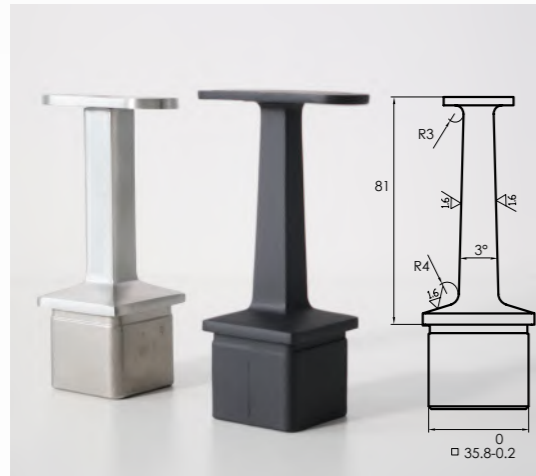


180° Handrail Saddles

Can Be Used In Exterior Setting Or Interior Setting
 Construction Material: 316 Grade Stainless Steel
 Function: Used To Secure Handrails

Model No.	Finish	Applicable for
180AP-424.SS	Brushed Stainless	Round Handrail
180AP-424.BL	Matte Black	Round Handrail
180AP-4040.SS	Brushed Stainless	Square Handrail
180AP-4040.BL	Matte Black	Square Handrail

FMF handrail saddles secure handrails on staircases, ramps, and railings. Available in multiple finishes and sizes, our square and round handrail saddles are the solutions for efficiently safeguarding your handrail brackets.



Square Handrail Support with Fixed Saddle

Can Be Used In Exterior Setting Or Interior Setting
 Construction Material: 316 Grade Stainless Steel
 Compatible With: All FMF 40x40mm Square Railing Posts
 Function: To Secure Handrail To Railing Post
 Secured To Railing Post With Adhesive Glue
 Interchangeable Saddles (For Square & Round Handrails)

Model No.	Finish
SRAIL-SP01.SS	Brushed Stainless
SRAIL-SP01.BL	Matte Black

The square profile of the supports gives a sharp and neat appearance to the handrails. We carry two popular finishes to enhance the theme of your railing systems.

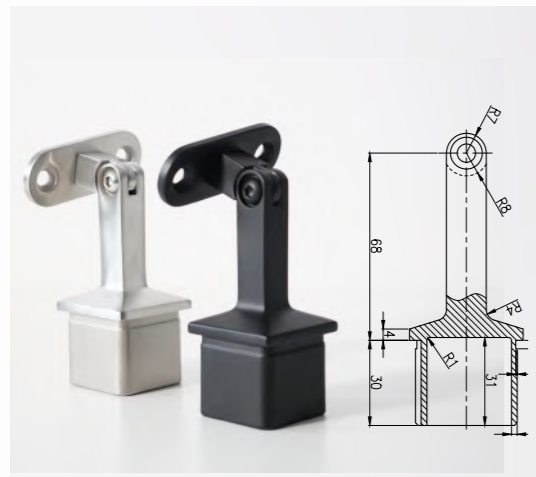


90° Square Handrail Saddles

Can Be Used In Exterior Setting Or Interior Setting
 Construction Material: 316 Grade Stainless Steel
 Function: Used To Secure Handrails
 Applicable for: 40x40 MM Square Handrail
 Flat Shape

Model No.	Finish
90AP-4040.SS	Brushed Stainless
90AP-4040.BL	Matte Black

Our saddles are capable enough to handle the pressure that comes on a railing system. Our 90° square saddles are flat in shape and are applicable for square and round handrails of varied sizes. FMF handrail saddles do their job perfectly by securing handrails with maximum strength.



Square Handrail Support with Movable Saddle

Can Be Used In Exterior Setting Or Interior Setting
 Construction Material: 316 Grade Stainless Steel
 Compatible With: All FMF 40x40mm Square Railing Posts
 Function: To Secure Handrail To Railing Post
 Secured To Railing Post With Adhesive Glue
 Interchangeable Saddles (For Square & Round Handrails)
 Adjustable Up To 90°

Model No.	Finish
SRAIL-SP02.SS	Brushed Stainless
SRAIL-SP02.BL	Matte Black

They add elegance to the look of handrail systems. They are perfect for residential and commercial projects, accommodating your installation requirements.



90° Round Handrail Saddles

Can Be Used In Exterior Setting Or Interior Setting
 Construction Material: 316 Grade Stainless Steel
 Function: Used To Secure Handrails
 Applicable for: 40x40 MM Square Handrail
 Curved Shape

Model No.	Finish
90AP-424.SS	Brushed Stainless
90AP-424.BL	Matte Black

Our handrail saddles reflect modern design and sophisticated appeal to your overall renovation project with two impressive finishes - Stainless Steel and Matte Black. Shop from FMF to get the right products for your residential or commercial spaces.

Glass Railing Clamps



With great attention to detail, our railing clamps are designed in a variety of finishes, in matte black and brushed stainless! Our creative touch makes us the preferred hardware product supplier in the GTA. Our railing clamps help secure the railing posts and offer optimum support to the glass.

We provide only the highest quality railing clamps in different sizes and styles, such as round or square, to suit the various demands of our clients. The railing clamps come with screws and PVC gaskets for quick installation. They are perfect for indoor and outdoor use.

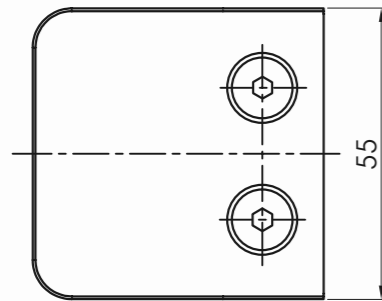


55mm Glass Railing Clamp

Construction Material: 304 Grade Stainless Steel
 Function: Used To Secure Glass Panels For Railings
 Accessories: Screws, PVC Gaskets
 Size: 55mm x 55mm x 30mm
 Cut-Out Required: Cutout For Pin (Optional)
 Square Railing Clamp, Glass-to-wall, Flat Base

Model No.	Finish
RCS-04.SS	Brushed Stainless
RCS-04.BL	Matte Black

Its sleek and modern design is suitable for all types of railings, giving a clear view from the balconies and other areas. It ensures clear visibility with a finished look when installed at the ends of a base shoe. It is a perfect choice when it comes to durability and rust-proof.

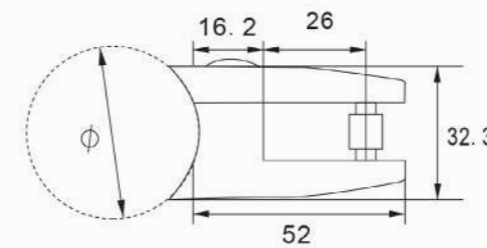


52mm Glass Railing Clamp- Round Base

Construction Material: 316 / 304 Grade Stainless Steel
 Function: Used To Secure Glass Panels For Railings
 Accessories: Screws, PVC Gaskets
 Size: 52mm x 52mm x 32mm
 Cut-Out Required: Cutout For Pin (Optional)
 Square Railing Clamp, Glass-to-wall

Model No.	Finish
RCS-05.SS	Brushed Stainless
RCS-05.BL	Matte Black

These 50mm Glass Railing Clamps have bevelled edges, offering a sleek and sharp look to the railing systems. These glass-to-wall railing brackets are perfect to secure glass panels to a wall. Made of Stainless Steel, they are durable and corrosion resistant.

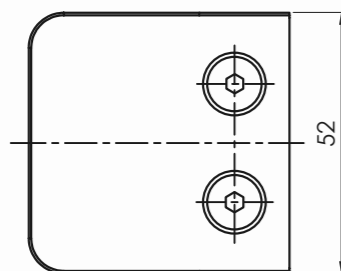


52mm Zinc Railing Clamp

Construction Material: Zinc Alloy
 Function: Used To Secure Glass Panels For Railings
 Accessories: Screws, PVC Gaskets
 Size: 52mm x 52mm x 32mm
 Cut-Out Required: Cutout For Pin (Optional)
 Square Railing Clamp, Glass-to-wall, Flat Base

Model No.	Finish
RCS-06.SS	Brushed Stainless
RCS-06.BL	Matte Black

Being best for achieving a transparent look for glass railing systems, our square forms are perfect for a sharp and neat look to the railing systems installed on staircases, balconies, swimming pool fences, etc. They uplift the appearance of railing systems in all interior and exterior spaces, residential and commercial buildings and even in public spaces. Choose our railing clamps for a streamlined effect and a clutter-free look.

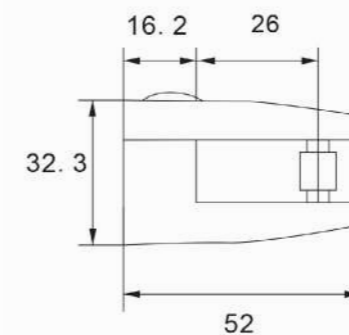


52mm Glass Railing Clamp- Flat Base

Construction Material: 316 / 304 Grade Stainless Steel
 Function: Used To Secure Glass Panels For Railings
 Accessories: Screws, PVC Gaskets
 Size: 52mm x 52mm x 32mm
 Cut-Out Required: Cutout For Pin (Optional)
 Square Railing Clamp, Glass-to-wall

Model No.	Finish
RCS-02.SS	Brushed Stainless
RCS-02.BL	Matte Black

They are perfect to install in interior and exterior spaces such as balconies, porches, patios, etc. They uplift the look of the railing systems installed in commercial as well as residential properties and transform the overall design theme of the area.

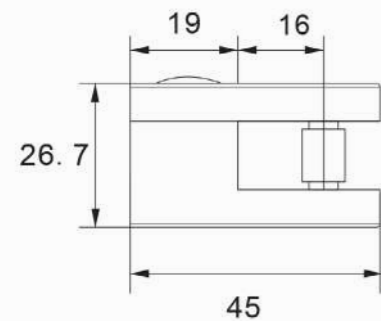




45mm Glass Railing Clamp

Construction Material: 316/ 304 Grade Stainless Steel
 Function: Used To Secure Glass Panels For Railings
 Accessories: Screws, PVC Gaskets
 Size: 45mm x 45mm x 30mm
 Cut-Out Required: Cutout For Pin (Optional)
 Square Railing Clamp, Glass-to-wall, Flat Base

Model No.	Finish
RCS-01.SS	Brushed Stainless
RCS-01.BL	Matte Black



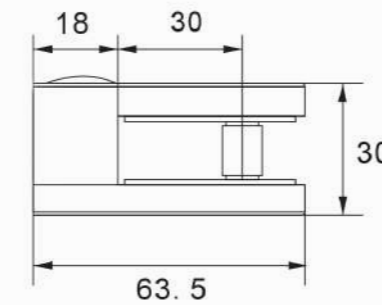
These glass-to-wall clamps are strong, durable, and resistant to corrosion. Their construction in Stainless Steel ensures high-quality standards. They are suitable for interior and exterior spaces of all properties. Our hardware solutions combine quality and modernity.



Round Glass Railing Clamp- Flat Base

Construction Material: 316 Grade Stainless Steel
 Function: Used To Secure Glass Panels For Railings
 Accessories: Screws, PVC Gaskets
 Size: 44mm x 68mm x 30mm
 Cut-Out Required: Cutout For Pin (Optional)
 Round Railing Clamp, Glass-to-wall

Model No.	Finish
RCR-02.SS	Brushed Stainless
RCR-02.BL	Matte Black



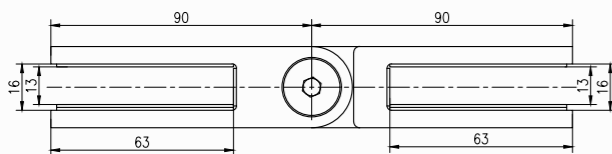
FMF Round Glass Railing Clamps are made of Stainless Steel. Therefore, they are durable and sturdy, rustproof, waterproof and heat-resistant. They cannot be damaged easily. They are easy to install and perfectly secure glass panels to walls or posts.



Adjustable Glass-to-Glass Railing Bracket

Construction Material: 316/ 304 Grade Stainless Steel
 Function: Used To Secure Glass Panels For Railings
 Accessories: Screws, PVC Gaskets
 90°-180° Adjustable Square Glass To Glass Clamp
 Cut-Out Required: No Cutout Required
 Slim Junior Style

Model No.	Finish
RCG-360.SS	Brushed Stainless
RCG-360.BL	Matte Black



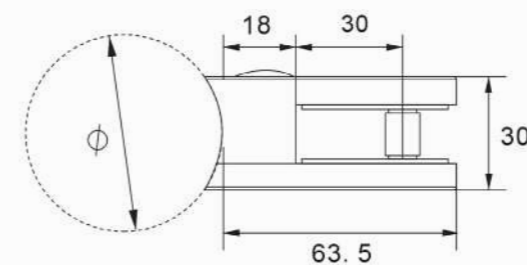
Our adjustable glass-to-glass clamps are designed to join two glass panels that intersect at 90 and 180 degrees. Used for glass panels for railings, these clamps ensure a frameless appearance and provide a neat design. We carry two attractive finishes for these clamps to match your design requirements.



Round Glass Railing Clamp- Round Base

Construction Material: 316 Grade Stainless Steel
 Function: Used To Secure Glass Panels For Railings
 Accessories: Screws, PVC Gaskets
 Size: 44mm x 68mm x 30mm
 Cut-Out Required: Cutout For Pin (Optional)
 Round Railing Clamp, Glass-to-wall

Model No.	Finish
RCR-01.SS	Brushed Stainless
RCR-01.BL	Matte Black



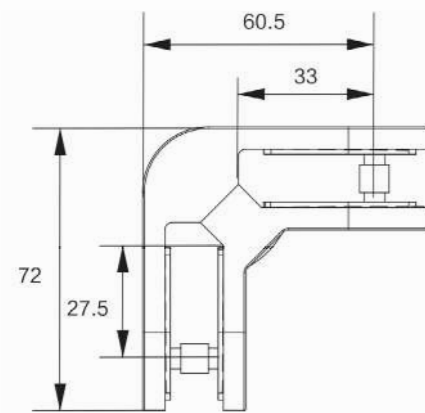
Their round and flat bases give a modern and sophisticated touch to the overall design of the railing system. They are perfect for interior and exterior installations at residential and commercial properties. We carry two bases – flat and round to match your design needs.



90° Senior Glass-to-Glass Railing Bracket

Construction Material: 316 Grade Stainless Steel
 Function: Used To Secure Glass Panels For Railings
 Accessories: Screws, PVC Gaskets
 Cut-Out Required: Cutout For Pin (Optional)
 Secure Railing Panels At A 90° Angle, Senior Style

Model No.	Finish
RCG-S90.SS	Brushed Stainless
RCG-S90.BL	Matte Black



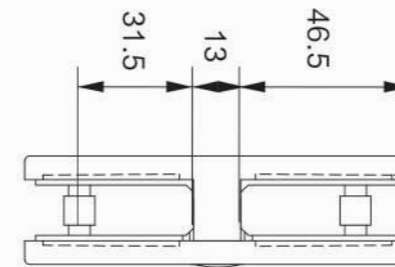
These 90° Senior Glass-to-Glass Railing Brackets by FMF are one of the preferred choices of builders and architects because of their square shape and clean appearance. The design gives a sleek and sharp look to the overall theme of the installation.



180° Round Glass-to-Glass Railing Bracket

Construction Material: 316 Grade Stainless Steel
 Function: Used To Secure Glass Panels For Railings
 Accessories: Screws, PVC Gaskets
 Cut-Out Required: Cutout For Pin (Optional)
 Secure Railing Panels At A 180° Angle, Senior Style

Model No.	Finish
RCG-R180.SS	Brushed Stainless
RCG-R180.BL	Matte Black



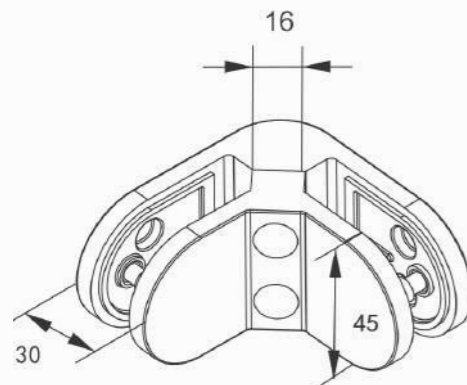
Their construction in Stainless Steel provides durability and strength to support the glass panels. Designed to secure railing panels at a 180-degree angle, these round-shaped brackets offer a modern design with a simplistic approach. They are suitable to use in interior and exterior spaces of commercial and residential projects.



90° Round Glass-to-Glass Railing Bracket

Construction Material: 316 Grade Stainless Steel
 Function: Used To Secure Glass Panels For Railings
 Accessories: Screws, PVC Gaskets
 Cut-Out Required: Cutout For Pin (Optional)
 Secure Railing Panels At A 90° Angle, Senior Style

Model No.	Finish
RCG-R90.SS	Brushed Stainless



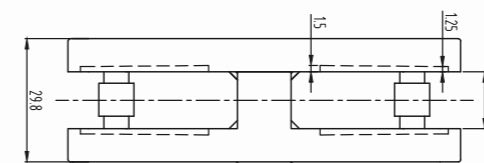
They are perfect to use in interior and exterior settings of residential and commercial spaces such as staircases, balconies, porches, fences, etc. Our clamps are one of the popular choices of our clients for their modern and sophisticated design themes.



180° Senior Glass-to-Glass Railing Bracket

Construction Material: 316 Grade Stainless Steel
 Function: Used To Secure Glass Panels For Railings
 Accessories: Screws, PVC Gaskets
 Cut-Out Required: Cutout For Pin (Optional)
 Secure Railing Panels At A 180° Angle, Senior Style

Model No.	Finish
RCG-S180.SS	Brushed Stainless
RCG-S180.BL	Matte Black



Our 180° Senior Glass-to-Glass Railing Brackets are perfect for the installation of glass railing systems as they are made of Stainless Steel. They perfectly secure railing panels at a 180-degree angle giving an unobstructed appearance to the glass panels.

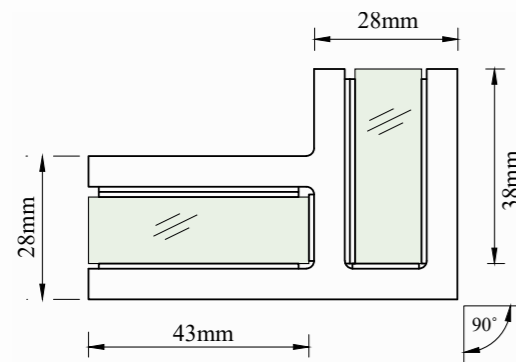


90° Glass-to-Glass Railing Bracket

Construction Material: 316 Grade Stainless Steel
 Function: Used To Secure Glass Panels For Railings
 Accessories: Screws, PVC Gaskets
 Cut-Out Required: No Cutout Required
 Secures Railing Panels At A 90° Angle, Slim Junior Style

Model No.	Finish	Type
RCG-90G.SS	Brushed Stainless	Small
RCG-90G.BL	Matte Black	Small
RCG-90GL.SS	Brushed Stainless	Large
RCG-90GL.BL	Matte Black	Large
RCG-90GL.SB	Satin Brass	Large

Our 90° Glass-to-Glass Railing Brackets support the glass railing installations. They are strong and sturdy as they are made of Stainless Steel. Perfect for indoor and outdoor use, these clamps uplift the installation of glass deck railing, swimming pool rails, etc.

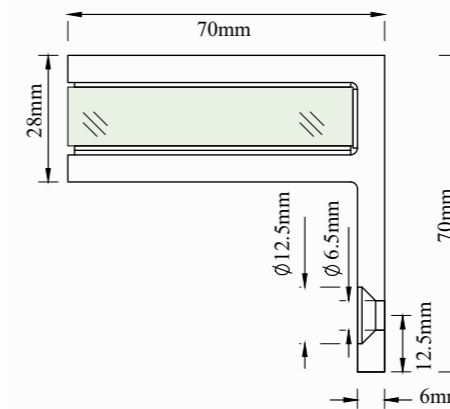


Offset Wall-to-Glass Railing Bracket

Construction Material: 316 Grade Stainless Steel
 Function: Used To Secure Glass Panels For Railings
 Accessories: Screws, PVC Gaskets
 Cut-Out Required: No Cutout Required
 1 Hole For Wall Mounting Screw, Slim Junior Style

Model No.	Finish	Type
RCG-90W.SS	Brushed Stainless	Small
RCG-90W.BL	Matte Black	Small
RCG-90WL.SS	Brushed Stainless	Large
RCG-90WL.BL	Matte Black	Large
RCG-90WL.SB	Satin Brass	Large

FMF Offset Wall-to-Glass Railing Brackets are available in L-shape which ensures adjustment of the glass panels closer to the wall. They are ideal for indoor and outdoor environments as they can withstand the impact of harsh environments. The slim junior-style clamps give an unobstructed and clear view of the glass railings.

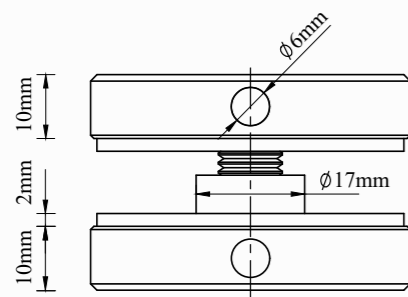


50mm Ø Glass Railing Bracket

Construction Material: 316 Grade Stainless Steel
 Function: Used To Secure Glass Panels For Railings
 Accessories: Screws, PVC Gaskets
 Cut-Out Required: No Cutout Required
 Secures Inline Railing Panels, 2" Diameter

Model No.	Finish
RCG-R50.SS	Brushed Stainless

FMF 50mm Glass Railing Brackets are round-shaped offering elegant design and sophisticated appeal to the overall theme of the project. They are used to secure inline railing panels. Made of Stainless Steel, these brackets are durable and sturdy to sustain wet and dry environments.

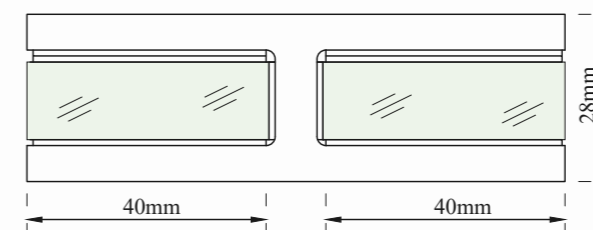


180° Glass-to-Glass Railing Bracket

Construction Material: 316 Grade Stainless Steel
 Function: Used To Secure Glass Panels For Railings
 Accessories: Screws, PVC Gaskets
 Cut-Out Required: No Cutout Required
 Secures Railing Panels At A 180° Angle, Slim Junior Style

Model No.	Finish	Type
RCG-180.SS	Brushed Stainless	Small
RCG-180.BL	Matte Black	Small
RCG-180L.SS	Brushed Stainless	Large
RCG-180L.BL	Matte Black	Large
RCG-180L.SB	Satin Brass	Large

These are easy to install and provide extra safety to frameless glass railings. Their modern design is an excellent choice for contemporary frameless glass installation projects such as railing systems at swimming pools, staircases, gardens, etc. They are perfect for indoor and outdoor uses.



Variety of Spigots for Glass Railing Application



FMF spigots offer durability, strength, and security to hold glass railings perfectly. They are easy to install, manufactured with premium quality standards and are engineered to comply with the National Building Code of Canada. Our spigots can be adjusted from the base. They allow the glass to be held in such a way that allows maximum visibility while adding a touch of elegance with round and square styles. These are fit for 10-12mm tempered glass and come with a 3-year limited warranty.

Our products reflect modern luxury, design, and safety. They are constructed to meet Canadian design standards. Customize your railing systems for interior and exterior applications with our hardware products designed to specifically meet customers' requirements.

Round Spigot



Construction Material: 2205 Grade Stainless Steel
 Function: To Hold Tempered Glass Railing Panels In Fixed Position
 Accessories: Black Gasket, Cover Plate, Adjustable Base Plate (Allows For Glass To Be Tilted 2° Backward Or Forward)
 Suitable For Interior & Exterior Use

Model No.	Finish
SPI-6SR.SS	Brushed Stainless
SPI-6SR.BL	Matte Black

Round Spigots by FMF come with an adjustable base plate that enables the glass to be tilted 2° backward or forward. They are suitable for any indoor or outdoor railing applications. We include a cover plate in our round spigots. We manufacture round spigots that are engineered to comply with the National Building Code of

Spigot Gasket



Spigot Gasket applicable for SPI-6SA Hard PVC -Black

Model No.	Height	Finish
SPI-G06.BL	6"	Matte Black
SPI-G08.BL	8"	Matte Black

This hard PVC gasket is designed for use with 6" spigots, providing a secure, tight seal to maintain the stability of your glass railing system. The black gasket prevents gaps and movement between the spigot and surrounding components, ensuring reliable, long-lasting performance in both indoor and outdoor installations.

Square Spigot



Construction Material: 2205 Grade Stainless Steel
 Function: To Hold Tempered Glass Railing Panels In Fixed Position
 Accessories: Black Gasket, Cover Plate, Adjustable Base Plate (Allows For Glass To Be Tilted 2° Backward Or Forward)
 Suitable For Interior & Exterior Use

Model No.	Height	Finish
SPI-6SA.SS	6"	Brushed Stainless
SPI-6SA.BL	6"	Matte Black
SPI-6SA.SB	6"	Satin Brass
SPI-8SA.SS	8"	Brushed Stainless
SPI-8SA.BL	8"	Matte Black

Square Spigots by FMF are one of the most popular railing solutions. These square spigots are used to hold tempered glass railing panels in a secured position, giving a clear appearance of the glass.

Square Edge Mount Spigot



Construction Material: 2205 Grade Stainless Steel
 Function: To Hold Tempered Glass Railing Panels In Fixed Position
 Accessories: Black Gasket, Cover Plate, Adjustable Base Plate
 Suitable For Interior & Exterior Use
 6" Height

Model No.	Finish
SPI-6SE.SS	Brushed Stainless
SPI-6SE.BL	Matte Black

They are edge-mounted and their sleek look do not compromise the neat appearance to the glass railings. They are manufactured with attention to detail & effectively hold the tempered glass railing panels in a fixed position.

Adjustable Smart Spigot



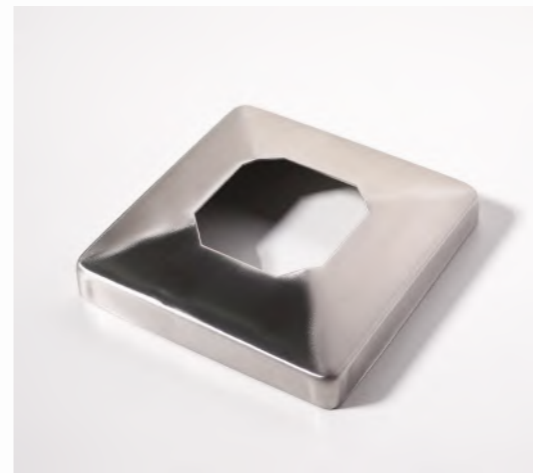
The Smarter Spigot is a premium side-mount solution for frameless glass balustrades and pool fencing. Made from 2205-grade stainless steel, it supports 10–12mm glass and is ideal for balconies, staircases, decks, and terrace walls.

Model No.	Height	Finish
SPI-4SA.BL	4"	Matte Black
SPI-4SA.SS	4"	Brushed Stainless

The Smarter Spigot is a premium side-mount solution for frameless glass balustrades and pool fencing. Made from 2205-grade stainless steel, it supports 10–12mm glass and is ideal for balconies, staircases, decks, and terrace walls.

What sets it apart is the patented tilt adjustment technology, allowing for fast, precise leveling—even on uneven surfaces—without removing the glass. No shims or packers needed. Installation is simple, with no drilling into the glass required.

Square Spigot Base Cover

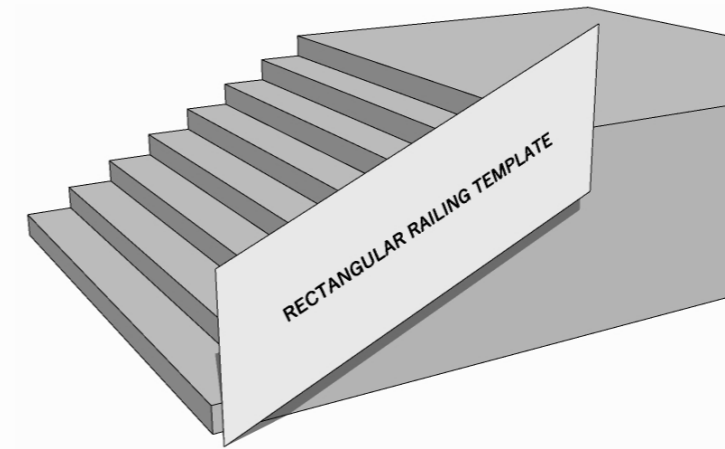


Can Be Used In Exterior Setting Or Interior Setting
 Construction Material: 2205 Grade Stainless Steel
 Function: Used as Cover Plate For FMF Spigot
 Applicable for: FMF Spigots Models SPI-6SA & SPI-8SA
 Size: 4"x4"

Model No.	Finish
SPI-COV.SS	Brushed Stainless
SPI-COV.BL	Matte Black

This base cover is not only durable but also adds a touch of sophistication to your railing. With a convenient 4"x4" size, it seamlessly fits over the spigot base, providing a polished and finished appearance to your glass railing installation.

The Mini-Posts & Railing Templates



4X8 Corrugated Plastic Template Sheet

Construction Material: Polypropylene
Corrugated Plastic
Size: 4ft x 8ft
Thickness: 4mm
Color: White

Model No.

48TEMP-WH

Simplify your glass railing installation process with our Plastic Railing Template Sheet. This innovative tool is designed to make measuring and planning your glass railing system a breeze. Crafted with precision and ease of use in mind, this template sheet ensures accurate placement and spacing of your glass panels, helping you achieve a professional and visually appealing result.



Solid Mini Post with 38mm Standoff Attached

Construction Material: 2205 Grade Stainless Steel
Surface Mount Mini Post
Suitable For Interior & Exterior Use
12" Height From Base
Includes: Mini Post, Cover Plate

Model No.

Finish

SPI-6MI.SS	Brushed Stainless
SPI-6MI.BL	Matte Black

While glass fabrication is required for a precise fit, the 12-inch height from the base allows for a secure and elevated glass display. Each purchase includes the mini post and a cover plate, ensuring a polished and finished look. We back the quality of this product with a limited 1-year warranty, and for your convenience, we offer hassle-free shipping.

Handrail Brackets

Our beautiful handrail brackets combine durability, strength and an attractive look. Our handrails not only look incredible but also provide impeccable performance. Our handrail brackets come with accessories to offer additional flexibility. FMF represents elegant and modern architectural hardware. You get to discover refined wall and glass-mounted handrail brackets. These are fit for 10-12mm tempered glass and come with a 3-year limited warranty.

We value details at FMF: Used In Exterior Setting or Interior Setting, Applicable For: Round, Square & Rectangular Handrails, Accessories: Top Round Swivel Can be Replaced with Flat Swivel (For Square Handrail), Warranty: Limited 1 Year Warranty, We believe our modern-inspired architectural hardware speaks for itself. These little things complete a stylish look for any architectural project. Our innovative and timeless details help you reimagine luxury.



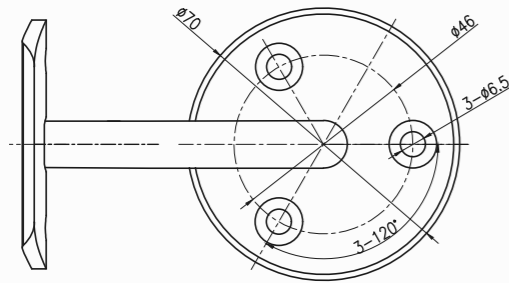


Standard Handrail Brackets - Fixed Saddle

Construction Material: 316 Grade Stainless Steel
 Function: Wall Mounted
 Applicable For: Round & Square Handrails
 Can Be Used In Exterior Setting Or Interior Setting
 Accessories: Top Round Swivel Can Be Replaced With Flat Swivel (For Square Handrail)
 3 Holes For Mounting Screws

Model No.	Finish
HRB-05W0.SS	Brushed Stainless
HRB-05W0.BL	Matte Black

Choose our Standard Handrail Brackets for smooth and easy installation of round handrails. Designed to support round handrails at stairways, porches, balconies, etc., our handrail brackets are equipped to transform your architectural applications.

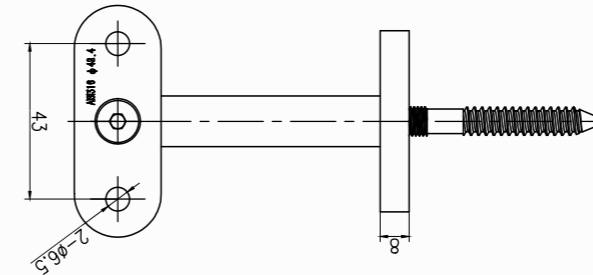


Round Handrail Brackets - Wall Mount, Fixed Saddle

Construction Material: 316 Grade Stainless Steel
 Function: Wall Mounted
 Applicable For: Round & Square Handrails
 Can Be Used In Exterior Setting Or Interior Setting
 Secured With FMF Hanger Bolt (Screwed to Stud)
 Accessories: Top Round Swivel Can Be Replaced With Flat Swivel (For Square Handrail)

Model No.	Finish
HRB-01W0.SS	Brushed Stainless
HRB-01W0.BL	Matte Black

FMF Round Handrail Brackets are available for mounting on walls as well as on glass. The top handrail support is sturdy and durable. Use our round handrail brackets for round or square profile handrails to enhance the look of the area.



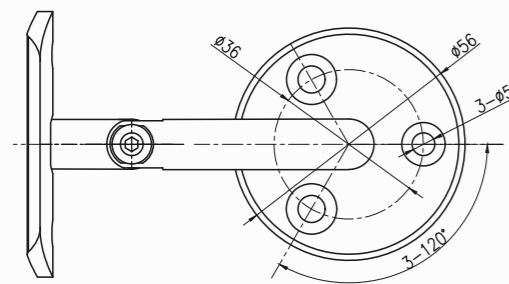
Standard Handrail Brackets - Movable Saddle



Construction Material: 316 Grade Stainless Steel
 Function: Wall Mounted
 Applicable For: Round & Square Handrails
 Can Be Used In Exterior Setting Or Interior Setting
 Accessories: Top Round Swivel Can Be Replaced With Flat Swivel (For Square Handrail)
 3 Holes For Mounting Screws

Model No.	Finish
HRB-05AW.SS	Brushed Stainless
HRB-05AW.BL	Matte Black

Available in two attractive finishes, our brackets are built to complement your design requirements. They are suitable to install in interior and exterior places of residential and commercial properties. Try our handrail brackets for round handrails; we'd love to see your railing transformation!

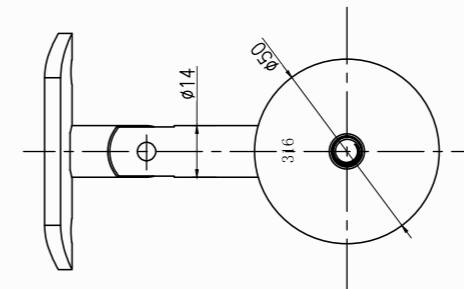


Round Handrail Brackets - Wall Mount, Movable Saddle

Construction Material: 316 Grade Stainless Steel
 Function: Wall Mounted
 Applicable For: Round & Square Handrails
 Can Be Used In Exterior Setting Or Interior Setting
 Secured With FMF Hanger Bolt (Screwed to Stud)
 Accessories: Top Round Swivel Can Be Replaced With Flat Swivel (For Square Handrail)

Model No.	Finish
HRB-01AW.SS	Brushed Stainless
HRB-01AW.BL	Matte Black

FMF Glass Hardware is the dependable choice for architectural railings in Toronto. Made of high quality Stainless Steel, our handrail brackets are suitable to use in interior and exterior places of residential and commercial properties where handrails are installed.

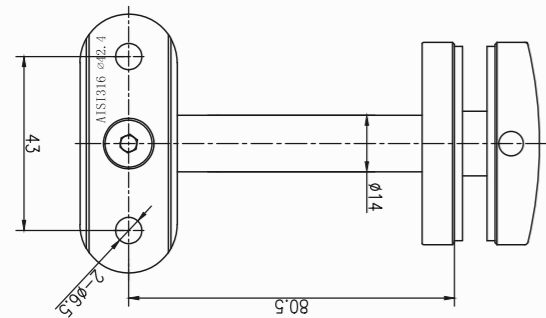




**Round Handrail Brackets-
Glass Mount, Fixed Saddle**

Construction Material: 316 Grade Stainless Steel
 Function: Glass Mounted
 Applicable For: Round & Square Handrails
 Can Be Used In Exterior Setting Or Interior Setting
 Accessories: Top Round Swivel Can Be Replaced
 With Flat Swivel (For Square Handrail)

Model No.	Finish
HRB-01G0.SS	Brushed Stainless
HRB-01G0.BL	Matte Black



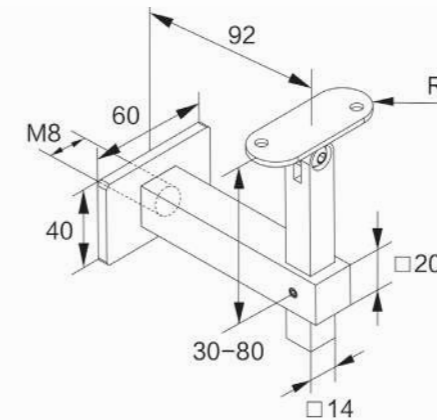
These offer a combination of strength and style, making them suitable for both residential and commercial applications. Whether used in staircases, balconies, or other architectural designs, these brackets provide a secure and visually appealing solution.



Square Adjustable Handrail Brackets

Construction Material: 316 Grade Stainless Steel
 Applicable For: Round & Square Handrails
 Can Be Used In Exterior Setting Or Interior Setting
 Accessories: Top Flat Swivel Can Be Replaced
 With Curved Swivel (For Round Handrail)

Model No.	Finish	Function
HRB-03AW.SS	Brushed Stainless	Wall Mount
HRB-03AG.SS	Brushed Stainless	Glass Mount
HRB-03AW.BL	Matte Black	Wall Mount
HRB-03AG.BL	Matte Black	Glass Mount



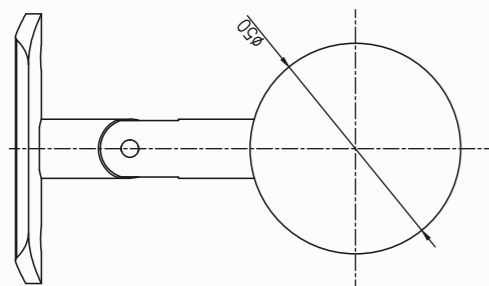
The sharp lines and corners of the square handrail brackets are able to transform your designs with cleaner and modern-looking components. To create a completely unique look, use our handrail brackets for square handrails installation. FMF Glass Hardware is committed to offering a selection of quality railing hardware components for the smooth completion of architectural projects.



**Round Handrail Brackets-
Glass Mount, Movable Saddle**

Construction Material: 316 Grade Stainless Steel
 Function: Glass Mounted
 Applicable For: Round & Square Handrails
 Can Be Used In Exterior Setting Or Interior Setting
 Accessories: Top Round Swivel Can Be Replaced
 With Flat Swivel (For Square Handrail)

Model No.	Finish
HRB-01AG.SS	Brushed Stainless
HRB-01AG.BL	Matte Black



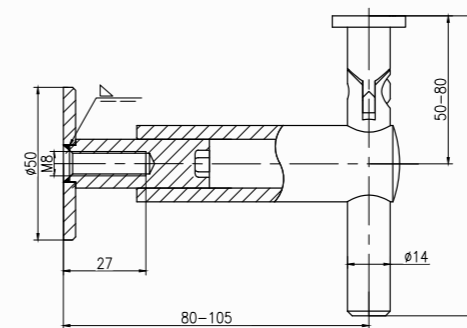
These glass mount brackets are saddle adjustable, easy to install, making your installation process hassle-free. Their versatile design allows them to be used for both 10-12mm glass thicknesses, accommodating your specific project requirements.



Extendable Wall Mount Handrail Bracket

Construction Material: 316 Grade Stainless Steel
 Function: Wall Mounted
 Applicable For: Round & Square Handrails
 Can Be Used In Exterior Setting Or Interior Setting
 Secured With FMF Hanger Bolt (Screwed to Stud)
 Accessories: Top Round Swivel Can Be Replaced
 With Flat Swivel (For Square Handrail)

Model No.	Finish
HRB-04AW.SS	Brushed Stainless
HRB-04AW.BL	Matte Black



You can extend these brackets from the wall up to 1". The adjustable saddle allows the handrails to achieve the desired angle. These brackets can be secured with FMF hanger bolts. They are one of the most popular handrail brackets of FMF and are designed to meet industry standards and safety code compliance.



6" Flat Saddle Glass Mount Adjustable Handrail Brackets

Check out FMF 6" Flat Saddle Glass Mount Adjustable Handrail Brackets for adjusting the height of handrails on staircases. It is perfect for installation on stairs, porches, balconies, corridors, etc. Our handrail brackets are well-designed and engineered to stay durable for a long time.

Model No.	Finish
HRB-06G0.SS	Brushed Stainless
HRB-06G0.BL	Matte Black

Handrail Brackets



HRB-06G0.BL



6" Flat Saddle Glass Mount Adjustable Handrail Brackets

Check out FMF Adjustable Handrail Brackets for adjusting the height of handrails on staircases. It is perfect for installation on stairs, porches, balconies, corridors, etc. Our handrail brackets are well-designed and engineered to stay durable for a long time.

Model No.	Finish
HRB-06W0.SS	Brushed Stainless
HRB-06W0.BL	Matte Black



Square Wall Handrail Bracket Flat Saddle

The HRB-07 Handrail Brackets provide strong and reliable support for handrails on staircases, porches, balconies, corridors, and other inclined surfaces. Designed for durability and long-term use, these brackets can be securely mounted on both glass and walls, making them a versatile choice for various installations.

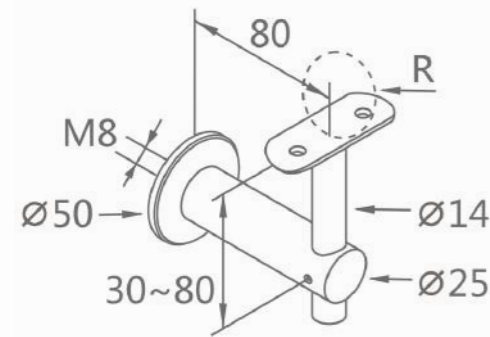
Model No.	Finish
HRB-07W.SS	Brushed Stainless
HRB-07W.BL	Matte Black



**Adjustable Handrail Brackets-
Wall Mount, Fixed Saddle**

Construction Material: 316 Grade Stainless Steel
 Function: Wall Mounted
 Applicable For: Round & Square Handrails
 Can Be Used In Exterior Setting Or Interior Setting
 Secured With FMF Hanger Bolt (Screwed to Stud)
 Accessories: Top Flat Swivel Can Be Replaced
 With Curved Swivel (For Round Handrail)

Model No.	Finish
HRB-02W0.SS	Brushed Stainless
HRB-02W0.BL	Matte Black



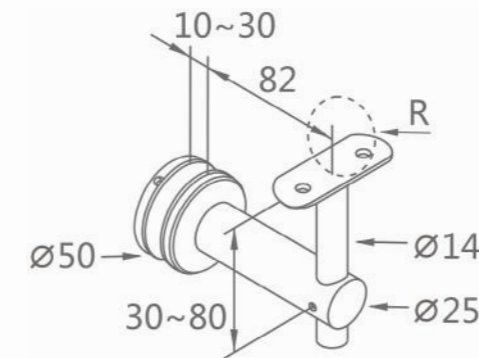
Check out FMF Adjustable Handrail Brackets for adjusting the height of handrails on staircases. It is perfect for installation on stairs, porches, balconies, corridors, etc. Our handrail brackets are well-designed and engineered to stay durable for a long time.



**Adjustable Handrail Brackets-
Glass Mount, Fixed Saddle**

Construction Material: 316 Grade Stainless Steel
 Function: Glass Mounted
 Applicable For: Round & Square Handrails
 Can Be Used In Exterior Setting Or Interior Setting
 Accessories: Top Flat Swivel Can Be Replaced
 With Curved Swivel (For Round Handrail)

Model No.	Finish
HRB-02G0.SS	Brushed Stainless
HRB-02G0.BL	Matte Black



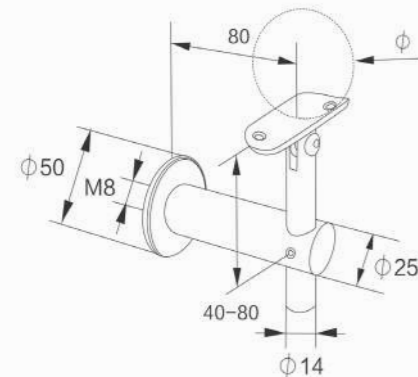
Made of premium quality Stainless Steel, it is sturdy to face the wrath of water and harsh weather conditions. The brackets can be used for indoor and outdoor areas. They are easy to install, and you can choose from two attractive finishes to suit your design needs.



**Adjustable Handrail Brackets-
Wall Mount, Movable Saddle**

Construction Material: 316 Grade Stainless Steel
 Function: Wall Mounted
 Applicable For: Round & Square Handrails
 Can Be Used In Exterior Setting Or Interior Setting
 Secured With FMF Hanger Bolt (Screwed to Stud)
 Accessories: Top Flat Swivel Can Be Replaced
 With Curved Swivel (For Round Handrail)

Model No.	Finish
HRB-02AW.SS	Brushed Stainless
HRB-02AW.BL	Matte Black



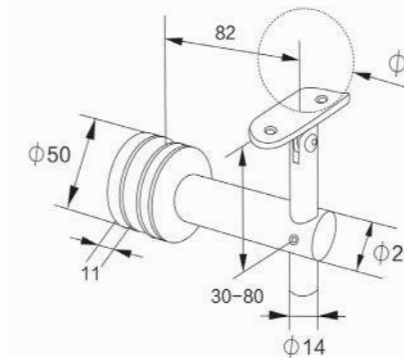
They are available to be mounted on glass and walls. The adjustable base can enable the bracket to be placed at different angles. The brackets are appropriate for inclinations, such as stairs and slopes.



**Adjustable Handrail Brackets-
Glass Mount, Movable Saddle**

Construction Material: 316 Grade Stainless Steel
 Function: Glass Mounted
 Applicable For: Round & Square Handrails
 Can Be Used In Exterior Setting Or Interior Setting
 Accessories: Top Flat Swivel Can Be Replaced
 With Curved Swivel (For Round Handrail)

Model No.	Finish
HRB-02AG.SS	Brushed Stainless
HRB-02AG.BL	Matte Black



These brackets offer the flexibility to adjust the position of the handrail, providing customized support and enhancing the overall functionality of your glass handrail installations. Crafted with precision and durability in mind, our Adjustable Handrail Brackets are made from high-quality materials to ensure long-lasting performance.

FMF

company made by professionals,
for professionals.

Mississauga

7205 Tranmere Drive, Unit 9,
Mississauga ON, L5S 1N4.

info@fmfglasshardware.com
905.819.6969

Woodbridge

7611 Pine Valley Drive,
Unit 8, Woodbridge ON, L4L 0A2.

info@fmfhardwaresolutions.com
416.775.9507

Concord

8161 Keele Street, Unit 2
Concord Ontario L4K 1Z3

info@fmfhardwaresupply.com
905.915.4649