

ARCHITECTURAL HARDWARE



FMF | GLASS HARDWARE

Made by
Professionals,
for **Professionals**

www.fmfglasshardware.com

Architectural Hardware

FMF offers the most comprehensive portfolio of products designed to cover your architectural requirements, in addition to our expertise as the leading supplier of architectural glass hardware. We have established ourselves as one of the most dependable names in the architectural glass hardware industry.

As glass hardware suppliers, we provide:

- HYP Series Hydraulic Hinges
- Glass Door Locks
- Patch Fittings
- Handles
- Sliding Systems

Our high-grade products provide innovative solutions and a superior user experience. FMF is upping the standard for architectural glass hardware so you can achieve more than just perfection. All these products are fit for 10-12 MM tempered glass and come with upto 3-years limited warranty.



Hydraulic Patch Fitting Hinges



FMF provides 3 varieties of hydraulic patch fitting hinges: Light-Duty - 80kg, Standard-Duty - 100kg, and Heavy-Duty - 150kg. The hinges prevent visible hardware installations such as cover plates. All hinges come with a 90° hold option enabling the door to hold open and even self-closing. They also allow adjusting the swing speed of the door, providing convenience to use the door. These are fit for 10-12 MM tempered glass and come with a 1-year limited warranty.

The hinges are suitable for interior use only. With these hinges, we offer everything you need to uplift your experience using the door. They promise an appealing look to the area as they are designed to install without overhead closing appliances.



LIGHT- DUTY HYDRAULIC HINGE 80KG CAPACITY

Buy FMF Hydraulic Hinges (Light-Duty - 80kg) for an undisturbed look on your glass door installations. They provide durability, due to the capability to sustain the impact of constant opening and closing of doors. They have a Maximum Door Weight of 175 LBS (80 KG) & a Maximum Door Width: Not Exceeding 32"

Technical Specifications	Light- Duty Hydraulic Hinge 80kg
Construction Material	Aluminum Body With 304 Grade Stainless Steel Cover Plate
Function:	To Open & Hold Glass Doors At A 90° Angle, When Closing, Door Swing Speed Can Be Adjusted To Preference
Cutout Required:	Industry Standard, Refer To Attached Diagram on website
Use:	For Interior Use Only, Self closing, No Digging required

Model No.	Finish
HYP-80.SS	Brushed Stainless
HYP-80.PS	Polished Stainless
HYP-80.BL	Matte Black
HYP-80.SB	Satin Brass
HYP-80.SA	Satin Anodized



STANDARD- DUTY HYDRAULIC HINGE 100KG CAPACITY

This Hinge is designed to support the doors, allowing an all-visible look to hardware installations like cover plates. They are easy to install and give an appealing look to the overall design of the doors. These hinges are of high quality and durable with an excellent surface. They have a Maximum Door Weight of 225 LBS (100 KG) & a Maximum Door Width: Not Exceeding 36"

Technical Specifications	Standard- Duty Hydraulic Hinge 100kg
Construction Material	Aluminum Body With 304 Grade Stainless Steel Cover Plate
Function:	To Open & Hold Glass Doors At A 90° Angle, When Closing, Door Swing Speed Can Be Adjusted To Preference
Cutout Required:	Industry Standard, Refer To Attached Diagram on website
Use:	For Interior Use Only, Self closing, No Digging required

Model No.	Finish
HYP-100.SS	Brushed Stainless
HYP-100.PS	Polished Stainless
HYP-100.BL	Matte Black



Standard Duty Non-Hold Hydraulic Hinge 100KG CAPACITY

The Non-Hold Standard Duty Hydraulic Hinge is a practical and efficient choice for interior glass door installations where a hold-open function is not required. Designed for 10–12mm tempered glass, this hinge delivers smooth, self-closing action with adjustable speed. Ideal for both residential and light commercial use, it offers reliable performance without the need for digging or floor modifications.

Technical Specifications	Standard Duty Non-Hydraulic Hinge 100kg
Construction Material	Aluminum Body With 304 Grade Stainless Steel Cover Plate
Function:	To Open and Not Hold Open, When Closing Swing Speed can be Adjusted
Cutout Required:	Industry Standard, Refer to Diagram on Website
Use:	For Interior Use, No Digging Required

Model No.	Finish
HYP-102.BL	Matte Black
HYP-102.SS	Brushed Stainless



HEAVY- DUTY HYDRAULIC HINGE 150KG CAPACITY

This hinge is constructed with an aluminum Body and a Stainless Steel cover plate. Hence, they are durable and able to withstand the constant impact of opening and closing doors. Applicable for interior use, these hinges are easy to install without the requirement of digging. They have a Maximum Door Weight of 330 LBS (150 KG) & a Maximum Door Width: Not Exceeding 39"

Technical Specifications	Heavy- Duty Hydraulic Hinge 150kg
Construction Material	Aluminum Body With 304 Grade Stainless Steel Cover Plate
Function:	To Open & Hold Glass Doors At A 90° Angle, When Closing, Door Swing Speed Can Be Adjusted To Preference
Cutout Required:	Industry Standard, Refer To Attached Diagram on website
Use:	For Interior Use Only, Self closing, No Digging required

Model No.	Finish
HYP-150.SS	Brushed Stainless
HYP-150.PS	Polished Stainless
HYP-150.BL	Matte Black

Hydraulic Patch Fitting Kits



Hydraulic Patch Fitting kit Standard duty-100kg

Construction Material: Aluminum Body With 304 Grade Stainless Steel Cover Plate
Kit Includes: 1 HYP-100 Hydraulic Hinge, 1 PAT-02 Patch Fitting, 1 PAT-PIN Pivot Pin
Accessories: Screws, Bolts, Gaskets (Used For 10MM Tempered Glass), Allen Wrench, Fabrication Diagram, Instructions Sheet
 For Interior Use Only, Self closing, No Digging required

Model No.	Finish
HYP-101.SS	Brushed Stainless
HYP-101.BL	Matte Black

Discover superior door functionality and modern aesthetics with this kit. Crafted to elevate your glass door experience, this kit offers a seamless blend of form and function. Engineered for easy installation and smooth operation, it ensures your glass doors open and close effortlessly, making it a perfect choice for both residential and commercial applications.



Hydraulic Patch Fitting kit Light Duty- 80kg

Construction Material: Aluminum Body With 304 Grade Stainless Steel Cover Plate
Kit Includes: 1 HYP-80 Hydraulic Hinge, 1 PAT-02 Patch Fitting, 1 PAT-PIN Pivot Pin
Accessories: Screws, Bolts, Gaskets (Used For 10MM Tempered Glass), Allen Wrench, Fabrication Diagram, Instructions Sheet
 For Interior Use Only, Self closing, No Digging required

Model No.	Finish
HYP-81.SS	Brushed Stainless
HYP-81.BL	Matte Black
HYP-81.SA	Satin Anodized
HYP-81.SB	Satin Brass

This kit is built to meet your needs, offering reliability & durability in one package. Whether you're upgrading an existing door or installing a new one, this kit is the perfect choice. With easy installation and the assurance of high-quality performance, your doors will effortlessly glide open and close, creating an impressive and inviting entryway.



Hydraulic Patch Fitting kit Heavy duty-150kg

Construction Material: Aluminum Body With 304 Grade Stainless Steel Cover Plate
Kit Includes: 1 HYP-150 Hydraulic Hinge, 1 PAT-02 Patch Fitting, 1 PAT-PIN Pivot Pin
Accessories: Screws, Bolts, Gaskets (Used For 10MM Tempered Glass), Allen Wrench, Fabrication Diagram, Instructions Sheet
 For Interior Use Only, Self closing, No Digging required

Model No.	Finish
HYP-151.SS	Brushed Stainless
HYP-151.BL	Matte Black

This kit is engineered for heavy use while maintaining a sleek and elegant appearance. Whether you're installing new doors or upgrading existing ones, this kit offers unparalleled performance. With easy installation and a focus on durability, your glass doors will effortlessly glide open and close, creating a lasting impression in any environment. Upgrade your space with it.



Hydraulic Door Rail Systems

New Product





Lock for Hydraulic Door Rail System

Construction Material: 316 Grade Stainless Steel
Function: Locks open and close the HYP-R100 Hydraulic Door Rail System
 No Cutout Required

Model No.	Finish
HYP-R02.BN	Brushed Nickel
HYP-R02.BL	Matte Black

Introducing our state-of-the-art Lock for Hydraulic Door Rail System, a pinnacle of security and functionality brought to you by FMF Glass Hardware. With locking components engineered to perfection, this product ensures unparalleled security, assuring peace of mind for both residential and commercial applications.

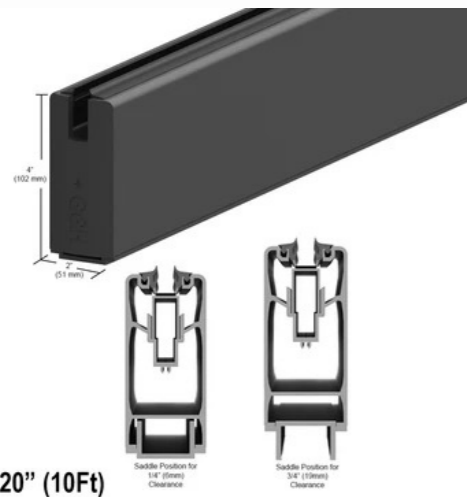


Hydraulic Door Rail System

Applicable For: 12MM Tempered Glass
Construction Material: Aluminum Body With 316 Grade Stainless Steel Cover Plate
Function: Hold Open at 90 degrees. When closing, Door Swing can be adjusted to preference
Width: 2 Inches; **Height:** 4.25 Inches; **Length:** 35.5 Inches
 No Cutout Required; Self Closing

Model No.	Finish	Length
HYP-R10036.BL	Matte Black	36"
HYP-R10036.BN	Brushed Nickel	36"
HYP-R10038.BL	Matte Black	38"
HYP-R10038.BN	Brushed Nickel	38"

Experience the perfect blend of form and function as our Hydraulic Bottom Door Rail redefines convenience in glass hardware. Whether it's for residential or commercial use, the speed-adjustable feature adapts to your preferences, while the self-closing mechanism adds an extra layer of sophistication to your space.



4" Sidelite Rail System

Compatible: 4" Commercial Door Rail System
 Length: 120"
 Includes roll-in gasket for 1/2" glass

Model No.	Finish
SRC4-10.BN	Brushed Nickel
SRC4-10.BL	Matte Black

The 4" Sidelite Rail System is an essential component for storefront installations, offering comprehensive hardware solutions when paired with the 4" Sidelite Rail System. This system is designed to be compatible with existing hardware, making it ideal for replacement work and seamless integration.

120" (10Ft)



4" Sidelite Rail System End Cap

Several Finishes Available to Match Sidelite Rails
 Quick and Simple setup
 Use Monolithic Tempered Glass

Model No.	Finish
SRC4-CAP.BN	Brushed Nickel
SRC4-CAP.BL	Matte Black

The 4" Sidelite Rail System End Cap provides a clean and professional finish for sidelite rail systems. Designed for quick and hassle-free installation, this endcap enhances the durability and aesthetics of glass rail assemblies.



4" Commercial Top Door Rail

Top- Door Rail System / Width: 2" Height: 4 1/4"
 Length: 37 3/4" / Applicable For: 10-12MM Tempered Glass / Construction Material: Aluminum Body With 316 Grade Stainless Steel Cover Plate / No Cutout Required

Model No.	Finish	Length
TOP-DR0136.BL	Matte Black	36"
TOP-DR0136.BN	Brushed Nickel	36"
TOP-DR0138.BL	Matte Black	38"
TOP-DR0138.BN	Brushed Nickel	38"

The FMF Commercial Top Glass Door Rail Profile offers a strong, durable, and compact solution for frameless glass door installations. Designed with a lock-free profile, this rail provides a clean, modern aesthetic while ensuring strength and long-lasting reliability. Perfect for commercial, residential, and hospitality applications, this top rail complements frameless glass doors, partitions, and railings.

G-Series Hydraulic Hinges



FMF offers a variety of hydraulic hinges for a constant and efficient opening and closing of the door. These hinges allow the door to close itself smoothly. They are applicable for both interior and exterior use. The hinges can rotate 90° to 180° with a constant speed. These are fit for 10-12 MM tempered glass and come with a 1-year limited warranty.

All hinges come with a limited 1-year warranty. These hinges are easy to install, manufactured with high-quality standards and are safe and durable for years to come!



180° HYDRAULIC HINGE GLASS-TO-GLASS

Constructed with high-quality these Hinges, ensure quality and longevity. They are sturdy and are able to resist daily wear and tear due to the usage of the door. Sold In Pairs (Top & Bottom Hinge)

They have a Maximum Door Weight of 175 LBS (80 KG) & a Maximum Door Width: Not Exceeding 36".

Technical Specifications	180° Hydraulic Glass-to-Glass Hinge
Construction Material	316 Grade Stainless Steel
Function:	To Open & Hold Glass Doors At A 90° Angle, When Closing, Door Swing Speed Can Be Adjusted To Preference
Cutout Required:	Industry Standard, Refer To Attached Diagram on website
Use:	For Both Exterior & Interior Use; Self Closing

Model No.	Finish
HYP-203.SS	Brushed Stainless
HYP-203.BL	Matte Black



90° HYDRAULIC HINGE WALL -MOUNT

Designed for interior and exterior use, these hinges can be installed easily and conveniently. The hinges allow the doors to automatically close, saving time and effort for the user. Sold In Pairs (Top & Bottom Hinge).

They have a Maximum Door Weight of 175 LBS (80 KG) & a Maximum Door Width: Not Exceeding 36".

Technical Specifications	90° Hydraulic Glass-to-Glass Hinge
Construction Material	316 Grade Stainless Steel
Function:	To Open & Hold Glass Doors At A 90° Angle, When Closing, Door Swing Speed Can Be Adjusted To Preference
Cutout Required:	Industry Standard, Refer To Attached Diagram on website
Use:	For Both Exterior & Interior Use; Self Closing

Model No.	Finish
HYP-201.SS	Brushed Stainless
HYP-201.BL	Matte Black

Patch Fittings



Patch fittings from FMF are designed to reflect the style. With the sleek and neat design, our comprehensive range of patch fittings showcase elegance, whether seen in frames or any other glass integrations. These are fit for 10-12 MM tempered glass and come with a 3-year limited warranty.

Our patch fittings come in various types, such as Top Crank, Top L-Crank, Wall-Mounted Pivot, and Top Door patch fitting. Our fittings are applicable for FMF hydraulic patch hinges, door stoppers and other FMF Patch Fittings.



Sidelite Mount Transom Patch Fitting

Cut Out Required: Refer To Attached Diagram on website

Construction Material: Aluminum Body With 304 Grade Stainless Steel Cover Plate

Function: Connects Transom to Sidelite Glass Panel

Pivot Pin Is Included For Interior Use Only

Model No.	Finish
PAT-01.SS	Brushed Stainless
PAT-01.BL	Matte Black
PAT-01.PS	Polished Stainless
PAT-01.SB	Satin Brass
PAT-01.SA	Satin Anodized

This Patch Fitting is durable & easy to use. They're a practical component of architectural projects with beautiful finishes to enhance the theme.



Top Door Patch Fitting

Cut Out Required: Refer To Attached Diagram on website

Construction Material: Aluminum Body With 304 Grade Stainless Steel Cover Plate

Function: Connects Door to Ceiling/ Fixed Transom Glass Panel

Pivot Pin Is Not Included For Interior Use Only

Model No.	Finish
PAT-02.SS	Brushed Stainless
PAT-02.BL	Matte Black
PAT-02.PS	Polished Stainless
PAT-02.SB	Satin Brass
PAT-02.SA	Satin Anodized

These are suitable for top-quality pivot point installation. They are flexible enough to any fitting requirement with the right installation. Their construction in aluminum gives them durability and strength to fight the impact of daily usage of glass doors.



Top L-Crank Patch Fitting

Cut Out Required: Refer To Attached Diagram on website

Construction Material: Aluminum Body With 304 Grade Stainless Steel Cover Plate

Function: Connects Transom

Door Swings Both Ways For Interior Use Only

Model No.	Finish
PAT-04.SS	Brushed Stainless
PAT-04.BL	Matte Black
PAT-04.PS	Polished Stainless
PAT-04.SB	Satin Brass
PAT-04.SA	Satin Anodized

These patch fittings are widely appreciated for their faultless performance by our clients. They are designed to fix over panel and side panels. They can keep a smooth surface for a long time.



Wall Mounted Pivot Patch Fitting

Cut Out Required: Refer To Attached Diagram on website

Construction Material: Aluminum Body With 304 Grade Stainless Steel Cover Plate

Function: Connects Transom Glass Panel to Door

Pivot Pin Is Included For Interior Use Only

Model No.	Finish
PAT-03.SS	Brushed Stainless
PAT-03.BL	Matte Black
PAT-03.PS	Polished Stainless
PAT-03.SB	Satin Brass
PAT-03.SA	Satin Anodized

These are designed to secure patch fittings to pivot patch. Applicable for interior use only, these fittings are one of the popular choices of builders and architects for their architectural projects.



Prima Patch Fitting New Product

Cut Out Required: Refer To Attached Diagram on website

Construction Material: Aluminum Body With 304 Grade Stainless Steel Cover Plate

Function: Connects Door to Ceiling/ Fixed Transom Glass Panel

Pivot Pin Is Not Included For Interior Use Only

Model No.	Finish
PAT-07.SS	Brushed Stainless
PAT-07.BL	Matte Black
PAT-07.PS	Polished Stainless

Suitable for interior spaces of commercial properties and for top-quality pivot point installation. They are flexible enough to any fitting requirement with the right installation.



Top Crank Patch Fitting

Cut Out Required: Refer To Attached Diagram on website

Door Only Opens One Way For Interior Use Only

Construction Material: Aluminum Body With 304 Grade Stainless Steel Cover Plate

Model No.	Finish
PAT-05.SS	Brushed Stainless
PAT-05.BL	Matte Black
PAT-05.PS	Polished Stainless

Function: Connects Transom Glass

These are designed to fix over panel and side panels. Suitable for interior applications, these fittings enable the movement of the door in both directions. These fittings are sturdy to retain their original shape & resist rust.



Commercial Bottom Door Patch with Pivot Insert

Cut Out Required: Refer To Attached Diagram on website.

Pivot Pin Is Included

Model No.	Finish
PAT-08.SS	Brushed Stainless
PAT-08.BL	Matte Black

Construction Material: Aluminium Body With 304 Grade Stainless Steel Cover Plate

Function: Connects Transom Glass Panel to Door

Are used with our bottom door pivots or floor closers. It fits in the lower corner of the glass panel, and requires a hole and cut-out in the glass. Available in brushed or polished stainless steel finishes.



Door Stop Patch Fitting

Cut Out : No Cut-Out Required
Compatible with: PAT-01

2 Holes For Mounting Screws
For Interior Use Only

Construction Material: Aluminum Body With 304 Grade Stainless Steel Cover Plate

Model No.	Finish
PAT-06.SS	Brushed Stainless
PAT-06.BL	Matte Black

Function: Stops Door From Opening On Both Sides

Used for an effective all-glass appearance, these Door Stop Patch Fittings are seen in offices or other commercial spaces. They are compatible with all FMF patch products.



Patch Pivot - Bottom Free-Swinging Pivot for Floor Mounting

Cut out : No Cut-Out Required

Construction Material: Aluminium Body With 304 Grade Stainless Steel Cover Plate

Model No.	Finish
PAT-09.SS	Brushed Stainless
PAT-09.BL	Matte Black

Function: Support heavier glass doors

This pivot provides a 440 lb. (200 kg) weight capacity to support heavier glass doors commonly used with bottom Door Rails and Patch Fittings.



Floor Mounted Adjustable Free-Swing Pivot

Cut out : No Cut-Out Rquired

Construction Material: Aluminium Body With 304 Grade Stainless Steel Cover Plate

Model No.	Finish
PAT-10.SS	Brushed Stainless
PAT-10.BL	Matte Black

designed to allow a 3/16" (5 mm) height adjustment of the door. The height of the door can be adjusted after installation.

Commercial Door Handles



Where do you see glass doors? Everywhere! From malls, and hotels, to sophisticated houses. Glass doors are an essential part of a structural architectural design. Hence, choosing the door handles for glass doors is an important part of the overall theme and look of the area. These are fit for 10-12 MM tempered glass and come with a 3-years limited warranty.

FMF commercial glass door handles are available in 5 types: Locking Pull Handles, Ladder Style Square Handle, Ladder Style Round Handle, and Round Door Handle. Promoting easy opening and closing of the glass doors, FMF glass door handles are perfect for your architectural project.

Drum Pin Patch Fitting

Cut Out Required: Refer To At-tached Diagram on website

Construction Material: 304 Grade Stainless Steel

Function: Secures top patch fittings

Pivot Pin Is Included For Interior Use Only

Model No.	Finish
PAT-PIN.SS	Brushed Stainless
PAT-PIN.BL	Matte Black
PAT-PIN.PS	Polished Stainless
PAT-PIN.SB	Satin Brass
PAT-PIN.SA	Satin Anodized

They are an excellent choice for accomplishing glass door installations in commercial areas. These fittings provide a touch of elegance to the overall installation of the glass doors. Appropriate for offices & hotels.



Commercial Door Handles



COMMERCIAL LADDER STYLE ROUND HANDLE

Technical Specifications	Commercial Ladder Style Round Handle
Construction Material	304 Grade Stainless Steel
Projection from Surface:	3" Projection
Cutout Required:	Refer To Attached Diagram on website
Use:	For Both Exterior & Interior Use



OFFSET COMMERCIAL ROUND HANDLE

These offset ladder-style handles will not only complement the look of the glass doors but also provide strength to pull the handles. They come in pairs for installing each handle on the opposite sides of the glass door.

Technical Specifications	Commercial Ladder Style Square Handle
Construction Material	304 Grade Stainless Steel
Projection from Surface:	3" Projection
Cutout Required:	Refer To Attached Diagram on website
Use:	For Both Exterior & Interior Use

H-Round Handle Size	Matte Black (BL)	Brushed Stainless (SS)	Polished Stainless (PS)	Satin Brass (SB)	Satin Anodized (SA)
12"	CH11-8.BL	CH11-8.SS	CH11-8.PS	-	-
24"	CH11-12.BL	CH11-12.SS	CH11-12.PS	CH11-12.SB	CH11-12.SA
30"	CH11-18.BL	CH11-18.SS	CH11-18.PS	-	-
36"	CH11-24.BL	CH11-24.SS	CH11-24.PS	-	-
48"	CH11-36.BL	CH11-36.SS	-	-	-
60"	CH11-48.BL	CH11-48.SS	-	-	-
72"	CH11-60.BL	CH11-60.SS	-	-	-

Handle Size	Matte Black (BL)	Brushed Stainless (SS)
24"	CH13-12.BL	CH13-12.SS
30"	CH13-18.BL	CH13-18.SS
36"	CH13-24.BL	CH13-24.SS
48"	CH13-36.BL	CH13-36.SS
60"	CH13-48.BL	CH13-48.SS
72"	CH13-60.BL	CH13-60.SS



COMMERCIAL ROUND HANDLE

FMF Commercial Round Door Handles are designed to add a refined touch to the glass doors. Adding a glass door to any architectural design is common today. Hence, the glass door handles for these glass doors become a critical component as the handles can enhance the overall look.

Technical Specifications	Commercial Round Door Handle
Construction Material	304 Grade Stainless Steel
Projection from Surface:	3" Projection
Cutout Required:	Refer To Attached Diagram on website
Use:	For Both Exterior & Interior Use

Handle Size	Matte Black (BL)	Brushed Stainless (SS)
12"	CH10-12.BL	CH10-12.SS
18"	CH10-18.BL	CH10-18.SS
24"	CH10-24.BL	CH10-24.SS



COMMERCIAL LADDER STYLE SQUARE HANDLE

These back-to-back handles are one of the preferred hardware components for architects and designers to enrich the look of the glass doors, along with providing support to the doors for pulling and closing them. Choose our glass door handles for complementing your glass doors in any area.

Technical Specifications	Commercial Ladder Style Square Handle
Construction Material	304 Grade Stainless Steel
Projection from Surface:	3" Projection
Cutout Required:	Refer To Attached Diagram on website
Use:	For Both Exterior & Interior Use

H-Square Handle Size	Matte Black (BL)	Brushed Stainless (SS)
12"	CH12-12.BL	CH12-12.SS
24"	CH12-24.BL	CH12-24.SS
36"	CH12-36.BL	CH12-36.SS

Commercial Round Handle Cap



COMMERCIAL ROUND HANDLE CAP

Cap for Commercial H-Style Round Pull Handle / Applicable For: 10-12MM Tempered Glass / Construction Material: 304 Grade Stainless Steel / Cut Out Required: Please Refer To Attached Cut Out Diagram Above / Size: 32mm Dia + 40mm Length Bolt

Model No.	Finish
CH11-CAP.BL	Matte Black
CH11-CAP.SS	Brushed Stainless

Add a sophisticated touch to your glass door with FMF's commercial glass door handles. Our solid brass glass door handles are designed to complement the overall bathroom décor with maximum functionality.

Square Tube Commercial Pull Handle



SQUARE TUBE COMMERCIAL PULL HANDLE

Square Tube Commercial Pull Handle / Applicable For: 10-12MM Tempered Glass / Construction Material: 304 Grade Stainless Steel / Cut Out Required: Please Refer To Attached Cut Out Diagram Below

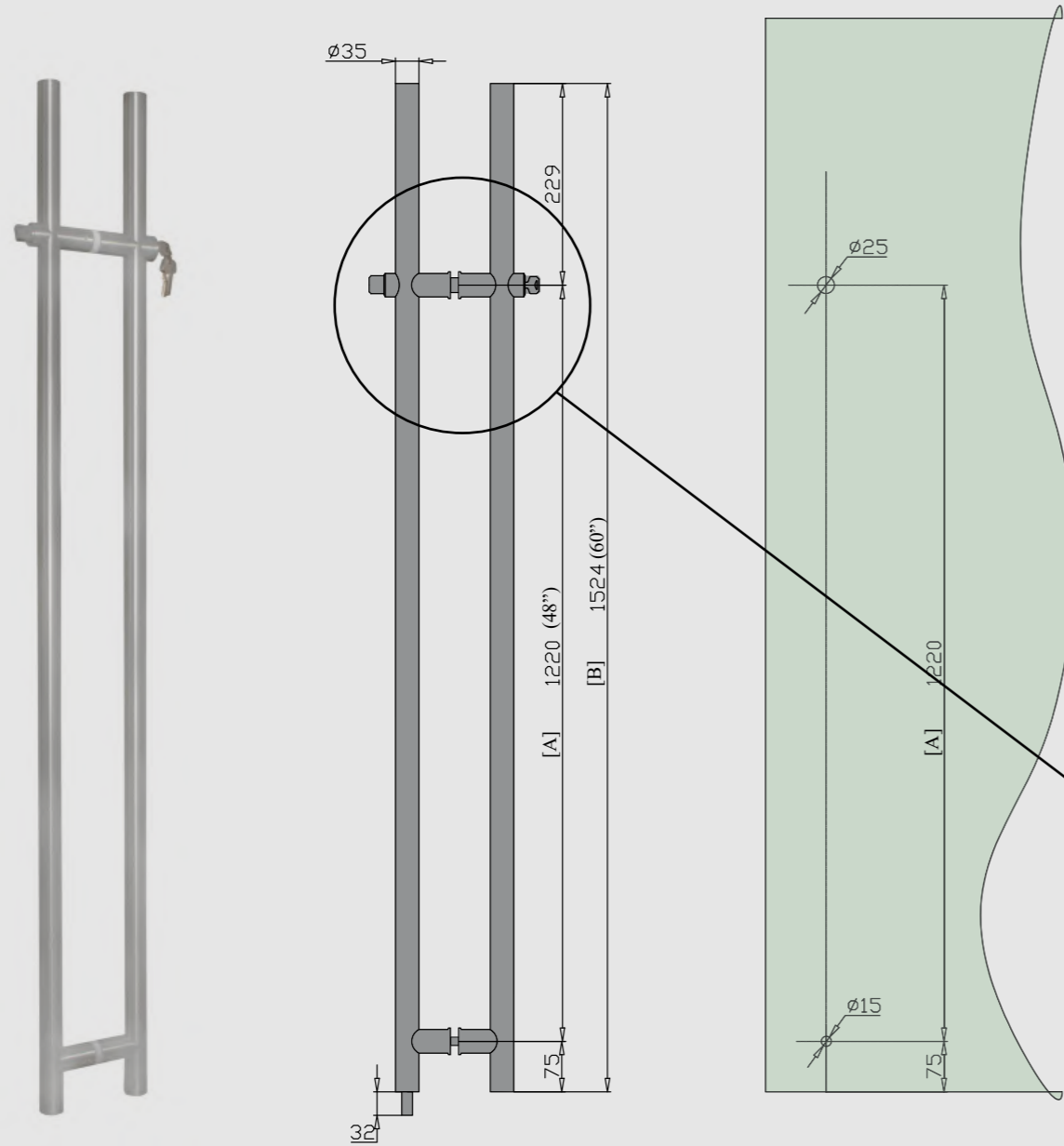
Square Handle Size	Matte Black (BL)	Brushed Nickel (BN)
12"	CH14-12.BL	CH14-12.BN
24"	CH14-24.BL	CH14-24.BN
36"	CH14-36.BL	CH14-36.BN

For Use With: 3/8" to 1/2" (10 to 12 mm) Glass

Construction: 1" (25 mm) Square Stainless Steel Tubing

Glass Fabrication Required: Two 3/8" (12 mm) Diameter Holes

Commercial Locking Handles



COMMERCIAL LOCKING PULL HANDLE

Length "A"	Length "B"	Matte Black (BL)	Brushed Stainless (SS)
36"	48"	LH11-36.BL	LH11-36.SS
48"	60"	LH11-48.BL	LH11-48.SS

Technical Specifications	Commercial Locking Pull Handle
Construction	304 Grade Stainless Steel, 1 year limited warranty
Projection from Surface:	3" Projection
Cutout Required:	Refer To Attached Diagram on website





Glass Door Locks

FMF glass door locks promise safe performance and elegant designs. Our glass door locks do not hinder the aesthetic look of glass doors; instead, they complete the look of the glass doors with a high degree of safety. These are fit for 10-12 MM tempered glass and come with a 1-year limited warranty.

FMF offers distinct types of glass door locks for security and durability. From keyed locks to smart digital locks, we offer 9 types of glass door locks for your perusal. Take a look at our collection of locks and choose one that suits best your requirements.

200 Series Glass Door Locks



Cut Out Required: Refer To Attached Diagram on website
 Construction Material: Aluminum Body With 304 Grade Stainless Steel Cover
 FMF Pro Commercial Glass Door Lock

Model No.	Finish
GDL-200.SS	Brushed Stainless
GDL-200.BL	Matte Black

3 Keys Included
 For Interior Use Only

The locks come with keys & gaskets to safeguard the glass. Made of Stainless Steel, the glass door locks are durable, resistant to corrosion, & can withstand harsh weather impact.

400 Series Glass Door Locks



Cut Out Required: Slip-On Lock, No Cut Out Required
 Construction Material: Aluminum Body With 304 Grade Stainless Steel Cover Plate
 Circle Glass Door Lock
 3 Keys Included
 For Interior Use Only

Model No.	Finish
GDL-400.SS	Brushed Stainless
GDL-400.BL	Matte Black

These locks are the best choice for anyone looking for a combination of maximum security, design, and quality. They do not require any cut-outs on the glass, offering a seamless appearance of the glass door.

300 Series Glass Door Locks



Cut Out Required: Refer To Attached Diagram on website
 Construction Material: Aluminum Body With 304 Grade Stainless Steel Cover Plate
 Rectangular Commercial Glass Door Lock
 3 Keys Included
 For Interior Use Only

Model No.	Finish	Use
GDL-300.SS	Brushed Stainless	Glass-Glass

The neat rectangular shape with curved edges provides a sophisticated appearance to the overall theme around the glass doors. The fixed and solid handles are strong enough to pull and push them multiple times for several years.

402 Series Glass Door Locks



Cut Out Required: Slip-On Lock, No Cut Out Required, With Thumb Lock
 Construction Material: Aluminum Body With 304 Grade Stainless Steel Cover Plate
 3 Keys Included
 For Interior Use Only

Model No.	Finish
GDL-402.SS	Brushed Stainless
GDL-402.BL	Matte Black

Get the best value of our glass door locks by installing them on your glass doors at the front gate, patio, etc. They are available in several styles, such as glass-to-glass locks & glass-to-wall locks, along with a Brushed Stainless finish to match every design requirement of architects. With these, your security is improved.

500 Series Glass Door Locks



Cut Out Required: Refer To Attached Diagram on website
 Construction Material: Aluminum Body With 304 Grade Stainless Steel Cover Plate
 For Interior Use Only
 Glass Door Latch Lock, Twist and Turn

Model No.	Finish
GDL-500.SS	Brushed Stainless
GDL-500.BL	Matte Black
GDL-500.PS	Polished Stainless

Whether you are looking to remodel the existing property to build new construction, glass doors are in trend. If you are installing glass doors at your new commercial or residential project, then try our 500 Series Glass Door Locks for securing these glass doors.



Glass-to-Glass/ Floor Door Latch



Glass Door Latch Lock Twist & Turn Lock / Applicable For: 10-12MM Tempered Glass / Construction Material: Aluminum Body With 304 Grade Stainless Steel Cover / Shipping Weight: 1.6 LBS (725 Grams Approx.) / Cut Out Required: Please Refer To Attached Cut Out Diagram Above / Accessories: Gaskets, Fabrication Diagram

Model No.	Finish
GDL-502.BL	Matte Black
GDL-502.BN	Brushed Nickel

Glass Door Latch Lock Twist & Turn Lock / Applicable For: 10-12MM Tempered Glass / Construction Material: Aluminum Body With 304 Grade Stainless Steel Cover / Shipping Weight: 1.6 LBS (725 Grams Approx.) / Cut Out Required: Please Refer To Attached Cut Out Diagram Above / Accessories: Gaskets, Fabrication Diagram

Glass Floor Latch

Cut Out Required: 2 Holes With 10mm Diameter
 Construction Material: 316 Grade Stainless Steel
 Function: Floor Latch For Glass Gates, Primarily Used For Pool Fencing
 For Interior & Exterior Use
 3" Gap

Model No.	Finish	Use
GATE-LAC03.SS	Brushed Stainless	Glass-Glass
GATE-LAC03.BL	Matte Black	Glass-Glass

The latch locks firmly into the floor, offering not only security but also a clean & unobtrusive appearance. Measuring 7" in length from the base and featuring a hole-to-hole size of 1 3/4", this latch is a versatile addition to your pool area. Upgrade the safety & style of your pool fencing with it.



New Product

Modern Smart Digital Lock with WIFI

No Cutout Required, Slip-on Lock
 Construction Material: Aluminum Body With 304 Grade Stainless Steel Cover Plate
 For Interior Use Only
 Features: Wifi support, Inbuilt Doorbell, Bluetooth, Unlocks With Password, Key Card, Mechanical key, Fingerprint or Supported Phone Application.

Model No.	Finish	Use
SGDL-G300	Matte Black	Glass-Glass

This lock has a modern design that complements glass doors without obstructing their transparent look. The lock is available in a matte black finish, adding to the elegance of its surroundings. Our smart door locks are operated with wifi, fingerprint unlocking, code unlocking, key card as well as remotely with the phone app.



600 Series Glass Door Locks

Cut Out Required: Refer To Attached Diagram on website
 Construction Material: Aluminum Body With 304 Grade Stainless Steel Cover Plate
 Rectangular Glass Door Lock

Model No.	Finish
GDL-600.SS	Brushed Stainless
GDL-600.BL	Matte Black
GDL-600.PS	Polished Stainless

For Interior Use Only
 3 Keys Included

With easy installation, these locks are quite versatile. Their design features a modern style to coordinate with a wide range of themes of glass doors. Keys and gaskets included to prevent damage.



Smart Digital Locks

No Cutout Required, Slip-on Lock
 Construction Material: Aluminum Body With 304 Grade Stainless Steel Cover Plate
 For Interior Use Only
 Features: Inbuilt Doorbell, Unlocks With Pass-code, Key Card, Fingerprint or Supported Phone Application.

Model No.	Finish	Use
SGDL-W200	Matte Black	Glass-Wall
SGDL-G100	Matte Black	Glass-Glass

These state-of-the-art digital locks have a classic design which doesn't obstruct the transparent look of the glass doors. We carry the Matte Black finish of the smart locks to accommodate the elegance of the overall design & theme of the area.



700 Series Glass Door Locks

Cut Out Required: Refer To Attached Diagram on website
 Construction Material: Aluminum Body With 304 Grade Stainless Steel Cover Plate
 Rectangular Side + Bottom Glass Door Lock

Model No.	Finish
GDL-700.SS	Brushed Stainless
GDL-700.BL	Matte Black
GDL-700.PS	Polished Stainless

For Interior Use Only
 3 Keys Included

With several beautiful finishes, choose our glass door locks to coordinate with the varied interior themes of the area where the glass doors are installed. These locks provide complete security with a key lock to secure the position.



703 Series Glass Door Locks

Cut Out Required: Refer To Attached Diagram on website
 Construction Material: Aluminum Body With 304 Grade Stainless Steel Cover Plate
 Rectangular Side + Bottom Glass Door Lock with Thumb Lock & Round Pine Cylinder

Model No.	Finish
GDL-703.SS	Brushed Stainless
GDL-703.SA	Satin Anodized
GDL-703.BL	Matte Black
GDL-703.SB	Satin Brass

These locks are the best choice for anyone looking for a combination of maximum security, design, and quality. They do not require any cut-outs on the glass, offering a seamless appearance of the glass door.



800 Series Glass Door Locks

Cut Out Required: Refer To Attached Diagram on website
 Construction Material: Aluminum Body With 304 Grade Stainless Steel Cover Plate
 Glass Door Lock With Movable Handle

Model No.	Finish
GDL-800.SS	Brushed Stainless
GDL-800.BL	Matte Black

For Interior Use Only
 3 Keys Included

These locks provide safe performance & are fit to use for 10-12mm tempered glass. They have a smooth surface, which is suitable for a wide range of glass doors. The movable handle allows for easy one-side opening and closing of the door.

Self-Closing Pool Gate Hinge



POLG-203.SS



Glass-Glass Self-Closing Gate Hinge

Cut Out Required:	Refer To Attached Diagram on Website
Accessories:	Screws, Bolts and Gaskets
Construction Material:	Aluminium Body With 2205 Grade Stainless Steel

Model No.	Finish
POLG-203.SS	Brushed Stainless
POLG-203.BL	Matte Black



Glass-Wall Self-Closing Gate Hinge

Cut Out Required:	Refer To Attached Diagram on Website
Accessories:	Screws, Bolts and Gaskets
Construction Material:	Aluminium Body with 2205 Grade Stainless Steel

Model No.	Finish
POLG-200.SS	Brushed Stainless
POLG-200.BL	Matte Black



Glass Fence Locks

FMF glass fence locks come with an appealing design. They are manufactured of high-quality standards. You get 2 keys for our glass fence locks, gaskets, screws, and a diagram with the instruction for installation and cut-outs. These are fit for 10-12 MM tempered glass and come with a 3-years limited warranty.

The glass fence locks give transparency integrated with safety, giving you peace of mind for the protection of your glass enclosures. The magnetic locks also give a sleek look to the overall area, reducing water access. The locks are perfect for your outdoor fence and swimming pool fence.



90° Right Open Glass-to-Glass Fence Lock

Cut Out Required: Refer To Attached Diagram on website
 Construction Material: Aluminum Body With 316 Grade Stainless Steel Cover.
 90° Glass On Right Hand Side

Magnetic Glass Door Lock
 2 Keys Included
 For Both Interior & Exterior Use

Model No.	Finish
FGDL-90R.SS	Brushed Stainless



Round Post Glass Fence Lock

Cut Out Required: Refer To Attached Diagram on website
 Construction Material: Aluminium body with 316 Grade Stainless Steel Cover.Mounts To FMF Round Railing Posts

Magnetic Glass Door Lock
 2 Keys Included
 For Both Interior & Exterior Use
 3 Holes For Mounting Screws

Model No.	Finish
FGDL-00R.SS	Brushed Stainless



90° Left Open Glass-to-Glass Fence Lock

Cut Out Required: Refer To Attached Diagram on website
 Construction Material: Aluminum Body With 316 Grade Stainless Steel Cover.
 90° Glass On Left Hand Side

Magnetic Glass Door Lock
 2 Keys Included
 For Both Interior & Exterior Use

Model No.	Finish
FGDL-90L.SS	Brushed Stainless



180° Left Open Glass-to-Glass Fence Lock

Cut Out Required: Refer To Attached Diagram on website
 Construction Material: Aluminum Body With 316 Grade Stainless Steel Cover.
 180° Left Side Glass Open Model

Magnetic Glass Door Lock
 2 Keys Included
 For Both Interior & Exterior Use

Model No.	Finish
FGDL-180.SS	Brushed Stainless
FGDL-180.BL	Matte Black



FGDL-00S.SS

Square Post Glass Fence Lock

Cut Out Required: Refer To Attached Diagram on website
 Construction Material: Aluminium body with 316 Grade Stainless Steel Cover.
 Mounts To FMF Square Railing Posts

Magnetic Glass Door Lock
 2 Keys Included
 For Both Interior & Exterior Use
 3 Holes For Mounting Screws

Model No.	Finish
FGDL-00S.SS	Brushed Stainless
FGDL-00S.BL	Matte Black

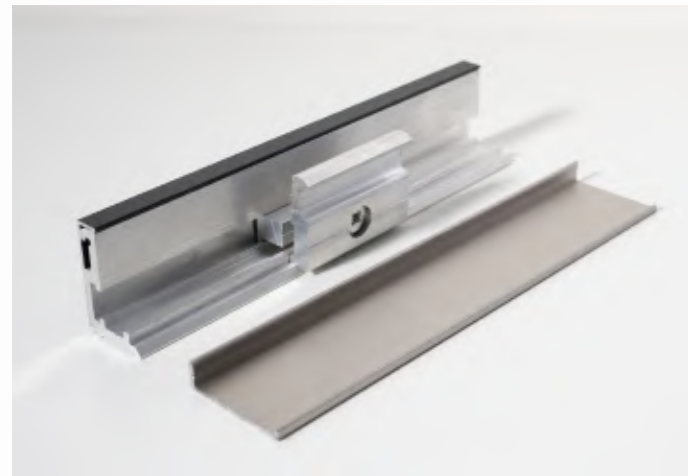


Mechanical U-Channel



MUC-1012.BL

This glass installation kit is designed to simplify the installation process while delivering a sleek, modern finish. Constructed from high-quality aluminum, the kit includes an aluminum channel extrusion, cladding cover, 10 setting blocks, and 2 end caps. It also comes with keys and gaskets to ensure secure installation and prevent glass damage. The contemporary design makes it a versatile solution that complements a wide range of glass door styles, suitable for both residential and commercial settings.



Mechanical U-Channel

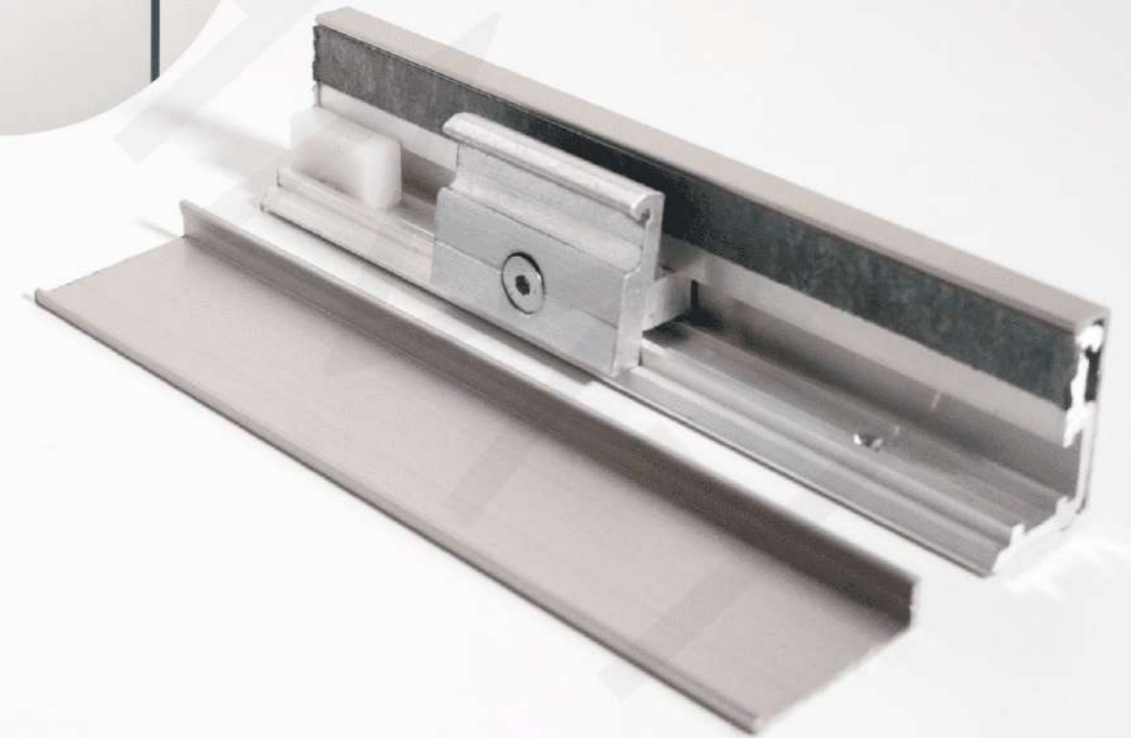
Mechanical Channel for Commercial Use
Pre-Drilled Holes Every 12" For Quick Install
Does Not Require Holes In Glass
Height: 1.5" ; Length: 120"

Model No.	Finish	Size
MUC-1012.BL	Matte Black	10/12mm
MUC-1012.SS	Brushed Stainless	10/12mm

Makes Glass Installation Easier
Construction Material: Aluminum
Kit Includes: Aluminium Channel Extrusion,
Cladding Cover, 10 Setting Blocks, 2 End Caps

With easy installation, these locks are quite versatile. Their design features a modern style to coordinate with a wide range of themes of glass doors. Keys and gaskets included to prevent damage. With easy installation, these locks are quite versatile. Their design features a modern style to coordinate with a wide range of themes of glass doors. Keys and gaskets included to prevent damage.

Cladding For Mechanical U-Channel



Our Additional Set of Cladding for Mechanical U-Channel is designed to enhance the look and durability of glass panels. Perfect for both commercial and residential projects, this cladding gives a sleek, finished appearance while protecting the glass edges.

Model No.	Finish	Size
MUC-1014.SS	Brushed Stainless	10/12mm
MUC-1014.BL	Matte Black	10/12mm

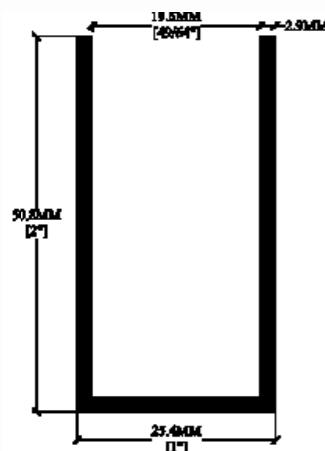
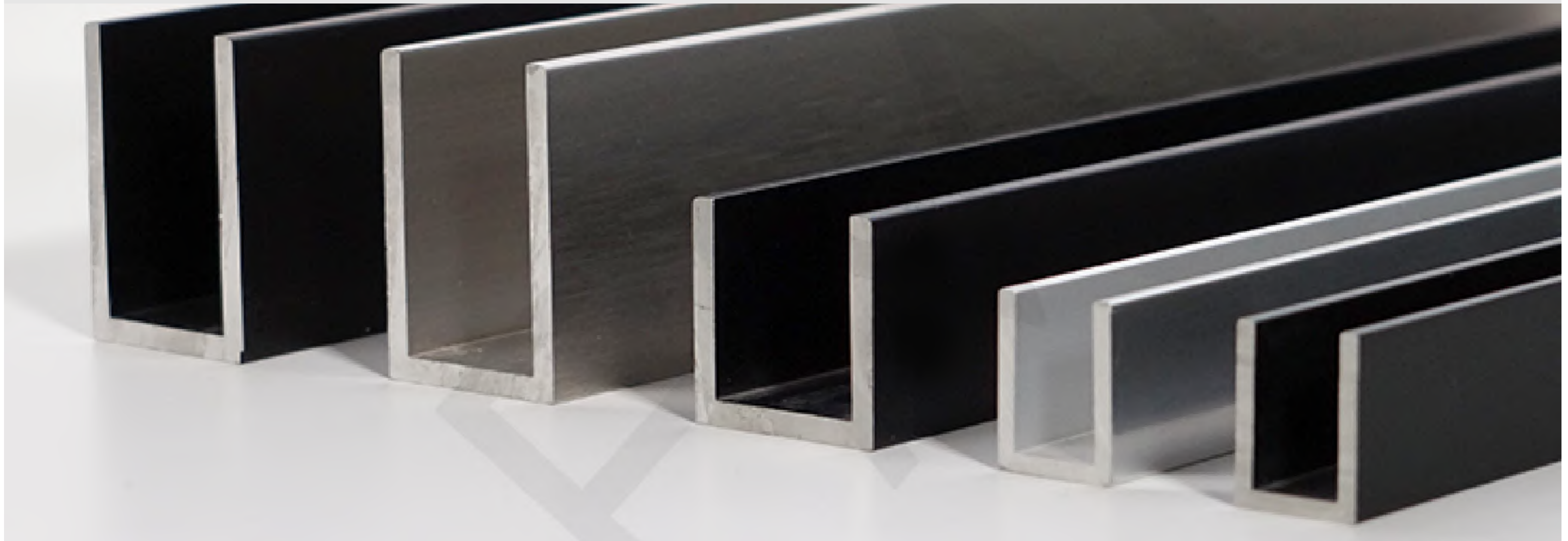
1.5" Mechanical U-Channel End Cap



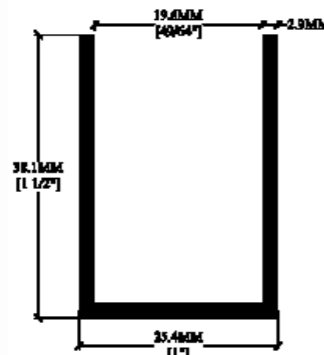
Upgrade your commercial glass installations with our Mechanical U-Channel, designed to make your projects easier and more efficient. Crafted from durable aluminum, this channel is built to last and can accommodate 10-12mm tempered glass, ensuring both strength and aesthetics.

Model No.	Finish	Size
MUC-1013.SS	Brushed Stainless	10/12mm
MUC-1013.BL	Matte Black	10/12mm

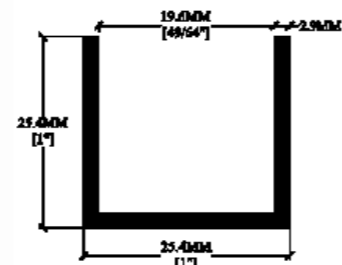
Commercial U-Channels



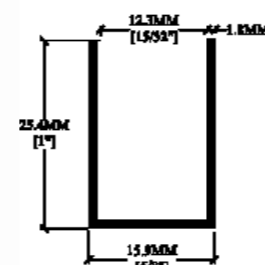
CUC2



CUC112



CUC1



CUC341

Commercial Aluminum U-Channel

Glazing Gasket Sold Separately
 Construction Material: Aluminum
 Applicable For: 10-12mm Tempered Glass
 Size: 12' Length Available

FMF U-Channels offer versatility and are used as a frame to secure fixed glass panels in shower areas or other glass partition areas. They are sharp in design and are light-weight, yet strong. The channels are durable and resistant to corrosion. These come with a 3-years limited warranty.

Model No.	Finish	Size
CUC341.BN	Brushed Nickel	1" x 0.5"
CUC341.BL	Matte Black	1" x 0.5"
CUC1.BN	Brushed Nickel	1" x 1"
CUC1.BL	Matte Black	1" x 1"
CUC1.SA	Satin Anodized	1" x 1"

Model No.	Finish	Size
CUC112.BN	Brushed Nickel	1" x 1.5"
CUC112.BL	Matte Black	1" x 1.5"
CUC112.SA	Satin Anodized	1" x 1.5"
CUC2.BN	Brushed Nickel	1" x 2"
CUC2.BL	Matte Black	1" x 2"
CUC2.SA	Satin Anodized	1" x 2"

Glass Sliding Door Systems



Our Glass Sliding Door Systems come with varied types of products that aid you to accomplish your commercial architectural project. From door bars to mount brackets, we've got you covered. Whether you are looking to start a new commercial project or renovate an existing commercial space, our glass sliding door systems will add value by reflecting style, modernism, and simplicity. These are fit for 10-12 MM tempered glass and come with a 1-year limited warranty.

- ▶ Create a spectacular glass wall area with our sliding door systems! Enjoy a feeling of openness with our sliding door systems and experience an unobstructed view from your office or other commercial spaces. These sliding door systems are perfect for the compact area.



Hydra Series Guide Rail

Applicable for: FMF Commercial HSK Series Sliding Door Kits
 Construction Material: Aluminum

Note: 6pcs of Glass Connectors (HSK-01) are required for 120" Guide Rails (for Glass mount applications)

Model No.	Finish
HSK-0310.BN	Brushed Stainless
HSK-0310.BL	Matte Black



HSK Series Sliding Door System



Hydra Series Sliding Door System

Included With Kit: 2 Wheel Rollers, 2 Door Stopper Softeners, 2 Spring Holders, 2 Track End Caps, 2 Floor Guiders, 2 End Caps, 1 Round Ring Pull, 10 Foot Rectangular Track

Construction Material: 304 Grade Stainless Steel
 Maximum Door Weight: 110 KG
 Function: Slides Door, Wall/ Ceiling Mounted

Model No.	Finish
HSK-02W.SS	Brushed Stainless
HSK-02W.BL	Matte Black

This versatile system redefines the way you experience your living areas, offering effortless and smooth door movement while adding a touch of sophistication to any room. Whether you want to optimize space utilization or create an eye-catching room divider, this sliding door system is the perfect choice.



Hydra Series Glass Connector

Applicable for: FMF Commercial HSK Series Sliding Door Kits
 Construction Material: 304 Grade Stainless Steel

Note: 6pcs of Glass Connectors (HSK-01) are required for 120" Guide Rails (for Glass mount applications)

Model No.	Finish
HSK-01.SS	Brushed Stainless
HSK-01.BL	Matte Black

Introducing the HSK Series Glass Connector, a sleek and indispensable component within our collection of glass hardware at FMF Glass Hardware. Crafted to perfection, this connector is tailored specifically for the HSK Series Commercial Sliding Door Kit, providing a seamless and secure connection for your glass doors.



Office Sliding Door System

Included With Kit: 2 Anti Lift Rollers, 2 Door Stoppers, 4 Mounting Brackets, 1 Floor Guider, 2 End Caps, 98" Round Bar
Construction Material: 304 Grade Stainless Steel

Barn Door Style
Function: Door Slides 180° Left & Right
Maximum Door Weight: 100 kg

Model No.	Finish	Use
LSK-02W.SS	Brushed Stainless	Wall Mount
LSK-02W.BL	Matte Black	Wall Mount
LSK-02W.PS	Polished Stainless	Wall Mount
LSK-02G.SS	Brushed Stainless	Glass Mount
LSK-02G.BL	Matte Black	Glass Mount
LSK-02G.PS	Polished Stainless	Glass Mount



LSK-Series Brackets

Compatible With LSK Series Commercial Sliding Kits
Construction Material: 304 Grade Stainless Steel
Function: To Secure Glass or Wall Mounted Panels

Model No.	Finish	Use
LSK-05.SS	Brushed Stainless	Wall Mount
LSK-05.BL	Matte Black	Wall Mount
LSK-05.PS	Polished Stainless	Wall Mount
LSK-01.SS	Brushed Stainless	Glass Mount
LSK-01.BL	Matte Black	Glass Mount
LSK-01.PS	Polished Stainless	Glass Mount

With perfect balance and modern sophistication, LSK-Series Glass or Wall Mount Brackets for sliding doors define a secure connection of glass doors.



Heavy Duty Office Sliding Door System

Included With Kit: 2 Anti Lift Double Rollers, 2 Door Stoppers, 4 Mounting Brackets, 1 Floor Guider, 2 End Caps, 98" Round Bar
Construction Material: 304 Grade Stainless Steel

Barn Door Style
Function: Door Slides 180° Left & Right
Maximum Door Weight: 120 kg

Model No.	Finish	Use
LSK-04W.SS	Brushed Stainless	Wall Mount
LSK-04W.BL	Matte Black	Wall Mount
LSK-04G.SS	Brushed Stainless	Glass Mount
LSK-04G.BL	Matte Black	Glass Mount

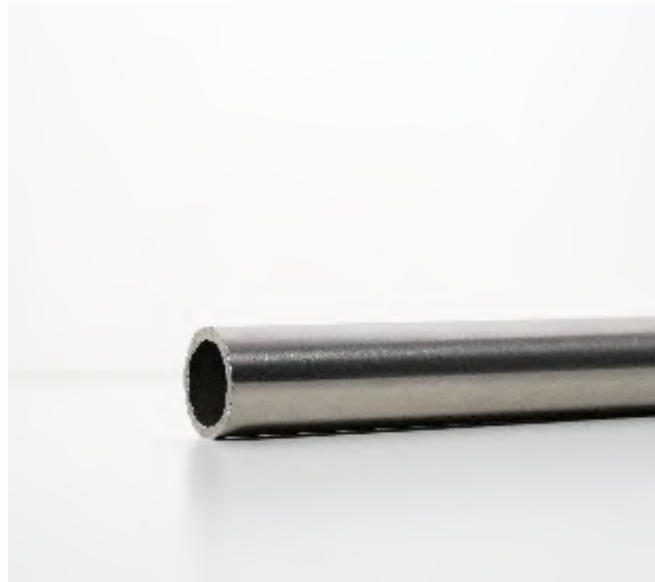


Rod- Wall Connector

Compatible With LSK Series Commercial Sliding Kits
Construction Material: 316 Grade Stainless Steel
Function: Connects From End Of The Bar To Wall

Model No.	Finish
LSK-06.SS	Brushed Stainless
LSK-06.BL	Matte Black
LSK-06.PS	Polished Stainless

This connector is specifically designed to ensure smooth operation and stability for sliding doors, enhancing the functionality and aesthetics of your office space. The connector is designed to provide a sleek and unobtrusive appearance, complementing the overall design of your office interiors.



LSK Series Sliding Door Bar

Construction Material: 304 Grade Stainless Steel
 Applicable For: FMF Commercial Sliding Door Kits
 25mm Diameter

Model No.	Finish	Length
LSK-0308.SS	Brushed Stainless	8 ft
LSK-0308.BL	Matte Black	8 ft
LSK-0308.PS	Polished Stainless	8 ft
LSK-0310.SS	Brushed Stainless	10 ft
LSK-0310.BL	Matte Black	10 ft
LSK-0310.PS	Polished Stainless	10 ft

FMF L-Series Sliding Door Bar is an excellent choice for the installation of sliding doors at your office. They can be installed in interior/exterior spaces with confidence as they provide adequate support to sliding doors.



Glazing U-Channel Gasket

Commercial U-Channel Gasket
 Construction Material: Black Rubber

Model No.	Size	Length
GAS-10.25	10 mm	25ft
GAS-10.50	10 mm	50ft
GAS-10.100	10 mm	100ft
GAS-10.500	10 mm	500ft
GAS-12.25	12 mm	25ft
GAS-12.50	12 mm	50ft
GAS-12.100	12 mm	100ft
GAS-12.500	12 mm	500ft

They are essential seals for openings of glass installations and protect them in a safe and effective way. They are designed practically with black rubber to provide strength and durability for a long time. The construction of our gaskets provides an elegant appearance and attractive design to the glass doors.



Sliding Door System Installation Tool

Compatible with: LSK Series Sliding door kits
 Construction Material: 304 Grade Stainless Steel
 Function: To Assist With The Installation Of the LSK Series Sliding Kits
 Adjustable to size

Model No.
 TOOL-LS.02

Whether it is the renovation of commercial space or building a new project, our Sliding Door System Installation Tools provide maximum support and make your installation process seamless. You can adjust the size as per installation requirements.



Oval Decorative Door Stopper

Construction Material: 304 Grade Stainless Steel
 Floor Mounted
 Size: 43mm

Model No.	Finish
DSTP-05.SS	Brushed Stainless
DSTP-05.BL	Matte Black



Pin Decorative Door Stopper

Construction Material: 304 Grade Stainless Steel
 Side Mounted
 Size: 52 x 90mm

Model No.	Finish
DSTP-04.SS	Brushed Stainless
DSTP-04.BL	Matte Black



Circular Decorative Door Stopper

Construction Material: 304 Grade Stainless Steel
 Floor Mounted
 Size: 25x30mm

Model No.	Finish
DSTP-03.SS	Brushed Stainless
DSTP-03.BL	Matte Black



Door Stopper

Compatible With: FMF Patch Fitting Products
 Construction Material: 316 Grade Stainless Steel
 2 Holes

Model No.	Finish	Size
DSTP-02.SS	Brushed Stainless	2"
DSTP-02.BL	Matte Black	2"
DSTP-06.SS	Brushed Stainless	6"
DSTP-06.BL	Matte Black	6"

Try our door stoppers for your commercial space such as an office. Used to stop, hold the door properly, they are ideal for your renovation project and promise long life and corrosion resistance features.

FMF

company made by professionals,
for professionals.

Mississauga

7205 Tranmere Drive, Unit 9,
Mississauga ON, L5S 1N4.

info@fmfglasshardware.com
905.819.6969

Woodbridge

7611 Pine Valley Drive,
Unit 8, Woodbridge ON, L4L 0A2.

info@fmfhardwaresolutions.com
416.775.9507

Concord

8161 Keele Street, Unit 2
Concord Ontario L4K 1Z3

info@fmfhardwaresupply.com
905.915.4649